

Wabbitat[®]

800-428-8560
midwesthomes4pets.com
P.O. Box 1031
Muncie, Indiana 47308



Deluxe Rabbit Home

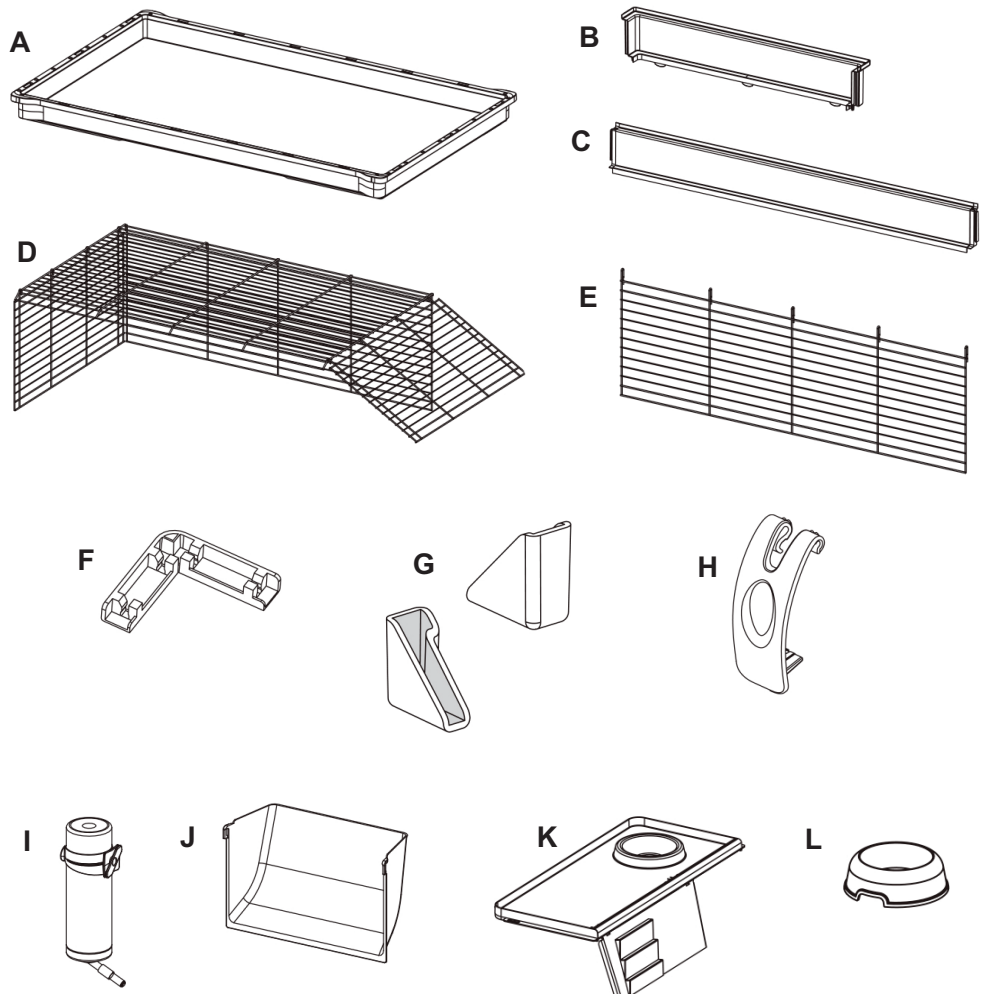
Assembly Instructions for Model Number 158

IMPORTANT INFORMATION

Unwrap and remove all parts from the box. Keep the box and packing material until the product is assembled. In case of return or exchange, failure to return product in similar condition as received could result in limited reimbursement. Please save sales receipt as proof of purchase for warranty purposes. Check to ensure you have all the parts below. If you discover any parts are missing, immediately call our toll-free service helpline at 1-800-428-8560 (Monday - Friday 9 a.m. to 4 p.m. EST) or at info@midwesthomes4pets.com.

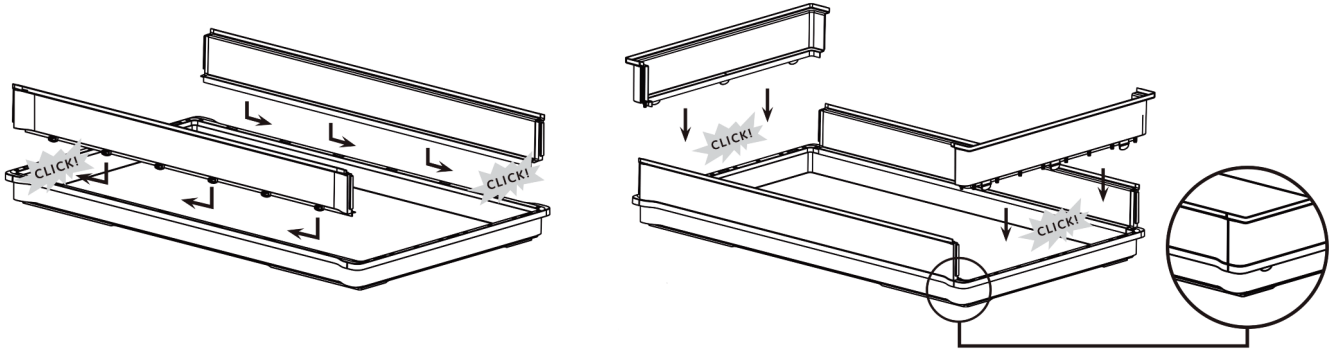
PARTS IDENTIFICATION

- A - Plastic bottom
- B - Plastic ends - 2
- C - Plastic sides - 2
- D - Wire top
- E - Wire side panel/door
- F - Plastic corner stabilizer - 2
- G - Corner cap - 2
- H - Plastic clip - 6
- I - Water bottle
- J - Hay feeder
- K - Elevated feeding platform
- L - Food bowl

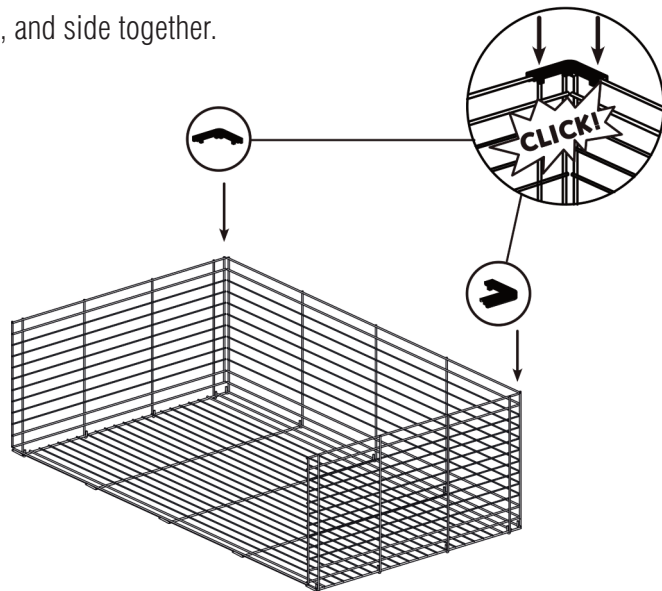


ASSEMBLY INSTRUCTIONS

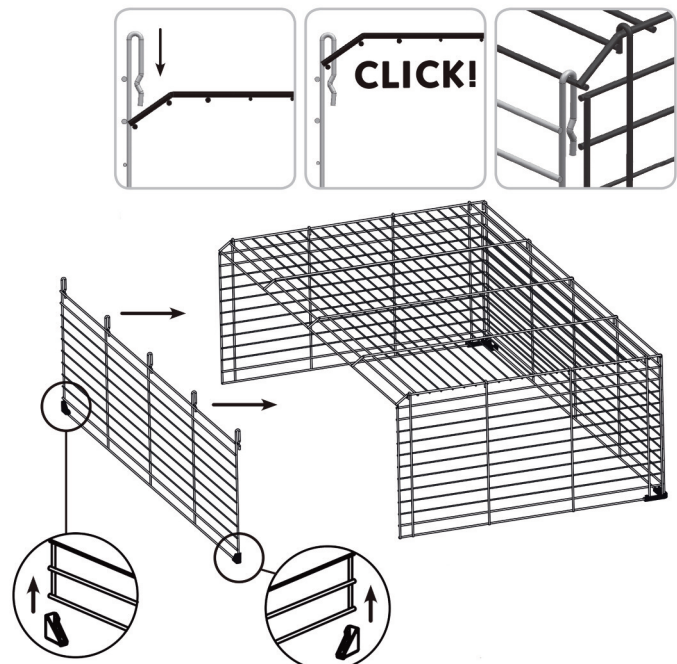
1. Assemble the bottom tray. Connect the two plastic sides (C) to the plastic bottom (A), and connect the two plastic ends (B) to the plastic bottom and the plastic sides as shown.



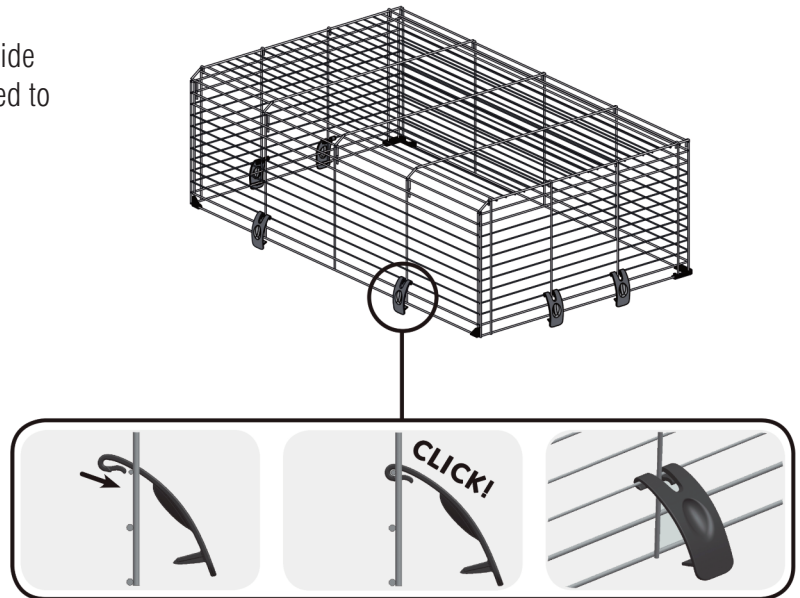
2. Lay out the wire top (D) and bring the front, back, and side together. Secure with two corner stabilizers (F) as shown.



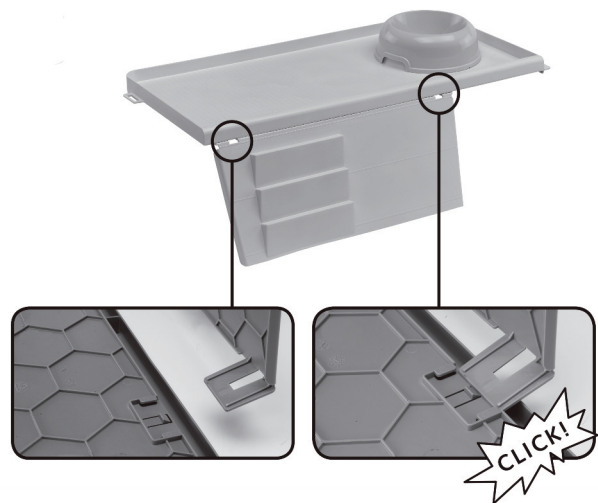
3. Attach the side panel/door (E) to the wire top. Place a corner cap (G) on each corner of the panel/door as shown.



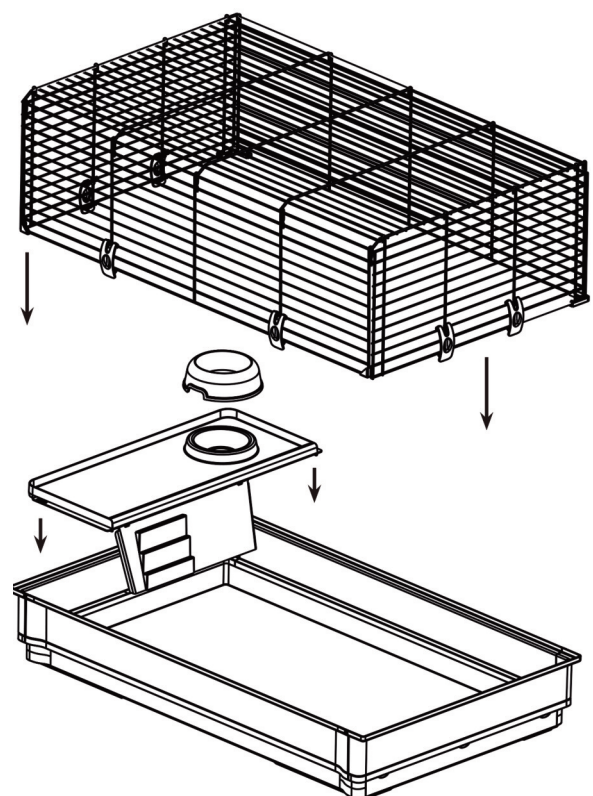
4. Place the six plastic clips (H) around the outside of the wire top as shown. The clips will be used to secure the wire top to the plastic bottom.



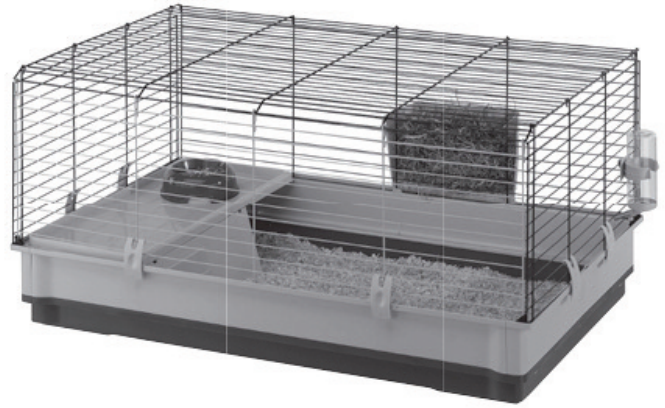
5. Connect the two pieces of the elevated feeding platform (K).



6. Place the elevated feeder and wire top on the plastic base. The corner stabilizers will click into the corners of the base. Use the clips to secure the top to the plastic base.



7. Place the food bowl (L) on the elevated feeding platform, and attach the hay feeder (J) and water bottle (I) on the outside of the home. Furnish with bedding, toys, and accessories as desired.



To clean your Wabbitat Deluxe Rabbit Home, wipe with a damp cloth and mild, pet-safe cleaner. Allow to air dry. Do not expose to direct sunlight for extended periods of time.

TOLL-FREE SERVICE HELPLINE: If you have any problems or questions with the assembly of your Wabbitat Deluxe Rabbit Home, call our Service Helpline at: 1-800-428-8560 between 9:00 a.m. and 4:00 p.m. (EST) Monday through Friday.

LIMITED MANUFACTURER'S WARRANTY

1. For one (1) year from the date of original purchase, MIDWEST Homes For Pets ("MIDWEST") warrants to the purchaser of this pet home that, should it prove defective by reason of improper workmanship and/or material, MIDWEST will repair or replace, at its option, any defective part of the pet home, without charge for the part or for shipping. Replacement parts are warranted for the remainder of the original period.
2. **THIS WARRANTY DOES NOT COVER** defects in the home caused by any animal, any physical abuse to or misuse of the pet home, any damage caused by the original purchaser or any third party, or any defects arising or discovered more than one (1) year from the original retail purchase date.
3. **STEPS TO OBTAIN WARRANTY SERVICE:**
 - A. The purchaser must call MIDWEST's HELPLINE, 800-428-8560, to report the alleged defect to a customer service representative or obtain missing parts.
 - B. The customer service representative will determine if the defect is covered by this warranty and, if it is, will authorize and instruct the purchaser in how to obtain corrective action.
 - C. MIDWEST may require the purchaser to present the sales receipt or other proof of purchase prior to authorizing any return or replacement. No returns or replacements will be permitted without proper authorization. If a return or replacement is authorized, you may be requested to return the item to MIDWEST or to make the item available for pick-up by MIDWEST.
4. **ANY EXPRESS WARRANTY NOT PROVIDED IN THIS WARRANTY DOCUMENT, AND ANY REMEDY FOR BREACH OF CONTRACT THAT, BUT FOR THIS PROVISION, MIGHT ARISE BY IMPLICATION OR OPERATION OF LAW, IS HEREBY EXCLUDED AND DISCLAIMED. THE IMPLIED WARRANTIES OF MERCHANTABILITY AND OF FITNESS FOR ANY PARTICULAR PURPOSE ARE EXPRESSLY LIMITED TO A TERM OF ONE (1) YEAR. SOME STATES DO NOT ALLOW LIMITATIONS ON HOW LONG AN IMPLIED WARRANTY LASTS, SO THE ABOVE LIMITATIONS MAY NOT APPLY TO YOU.**
5. **UNDER NO CIRCUMSTANCES SHALL MIDWEST BE LIABLE TO PURCHASER OR ANY OTHER PERSON FOR ANY SPECIAL, INCIDENTAL OR CONSEQUENTIAL DAMAGES, WHETHER ARISING OUT OF BREACH OF WARRANTY, BREACH OF CONTRACT OR OTHERWISE, SOME STATES DO NOT ALLOW THE EXCLUSION OR LIMITATIONS OF INCIDENTAL OR CONSEQUENTIAL DAMAGES, SO THE ABOVE LIMITATIONS OR EXCLUSION MAY NOT APPLY TO YOU.**
6. This warranty gives you specific legal rights, and you may also have other rights which vary from state to state.

For a Complete Listing of Products
Small Animal Habitats • Pet Beds
Outdoor Hutches & Coops • Pet Playpens ...
- Come Visit Our Website

