

Wire Extension

Assembly Instructions for Model Number 158WEX

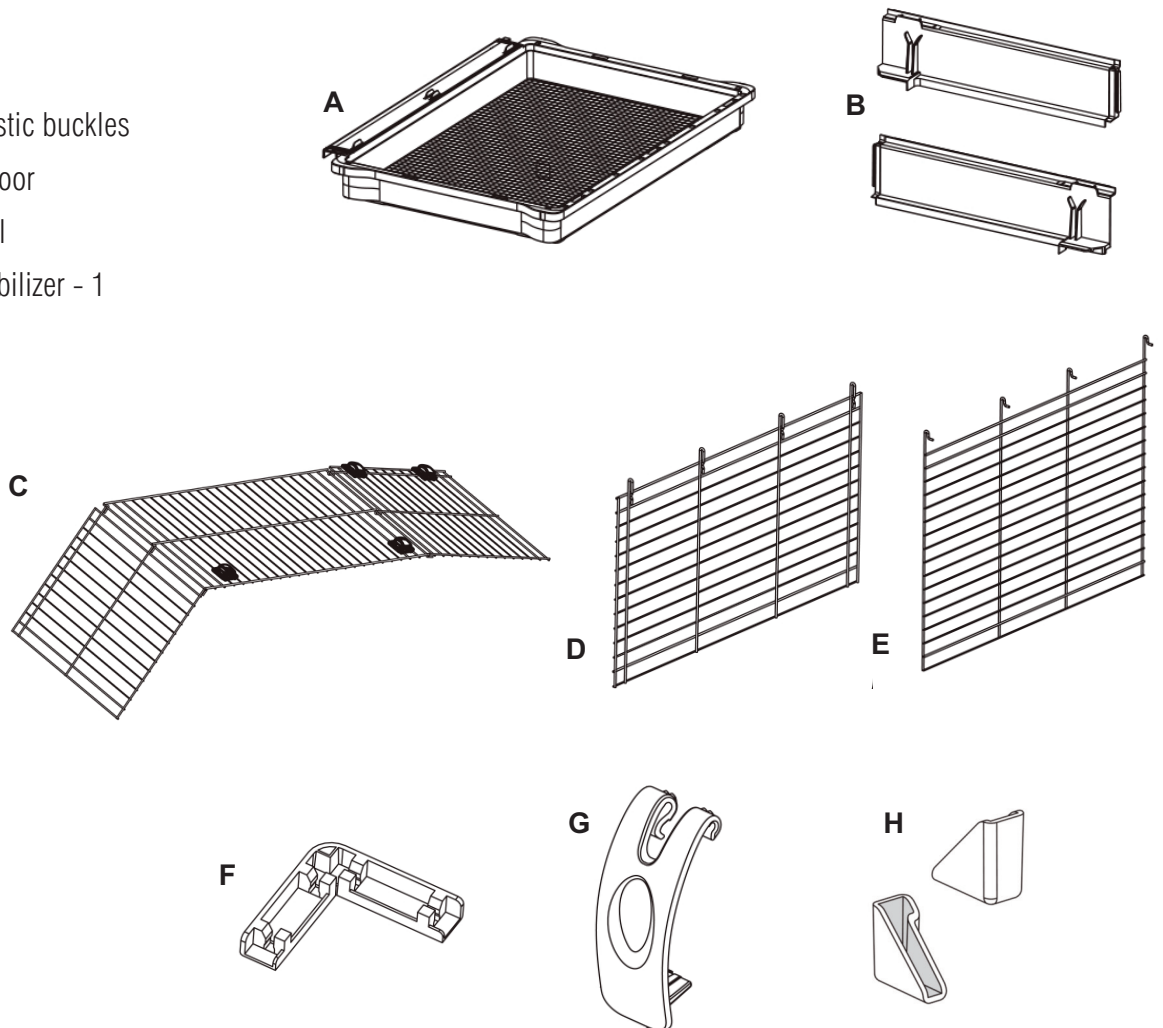
IMPORTANT INFORMATION

Unwrap and remove all parts from the box. Keep the box and packing material until the product is assembled. In case of return or exchange, failure to return product in similar condition as received could result in limited reimbursement. Please save sales receipt as proof of purchase for warranty purposes. Check to ensure you have all the parts below. If you discover any parts are missing, immediately call our toll-free service helpline at 1-800-428-8560 (Monday - Friday 9 a.m. to 4 p.m. EST) or at info@midwesthomes4pets.com.

PARTS IDENTIFICATION

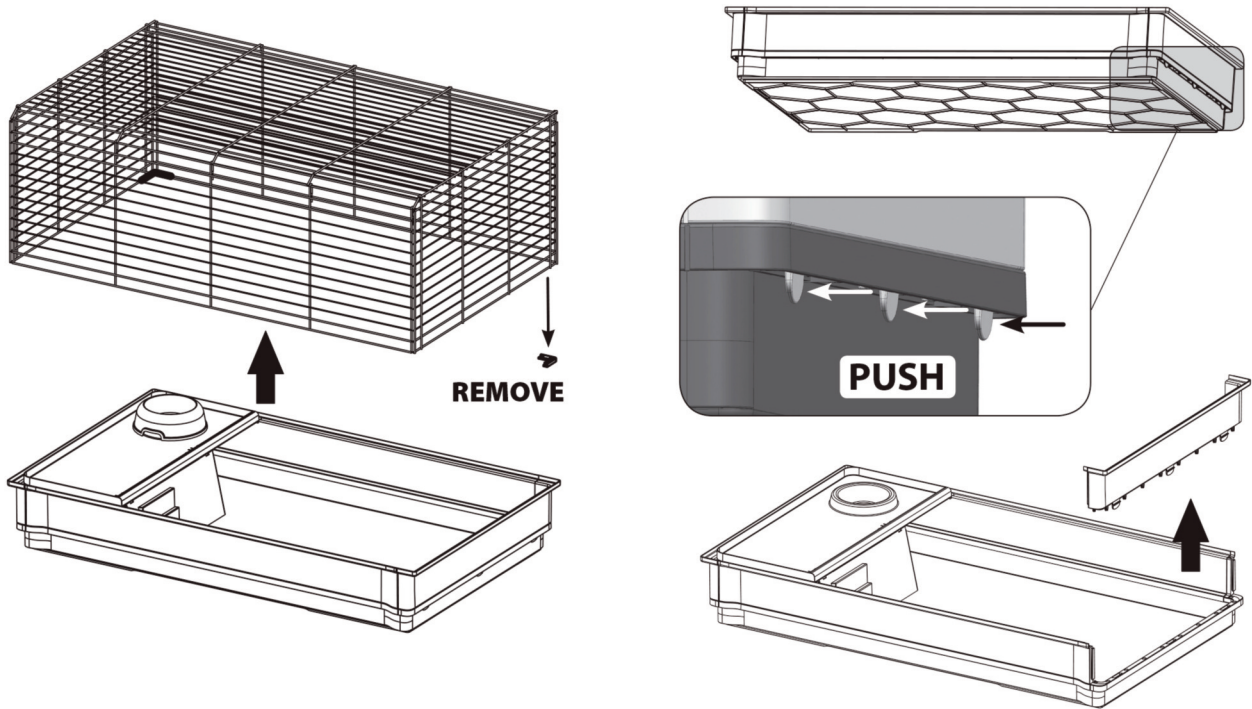
NOTE: The 158WEX Wire Extension connects to the 158 Wabbitat Deluxe Rabbit Home. Parts from the 158 will be used to complete the assembly of the connected unit. If needed, for future reference, instructions for the 158 base unit can be downloaded at midwesthomes4pets.com.

- A - Plastic bottom
- B - Plastic sides
- C - Wire top with plastic buckles
- D - Wire end panel/door
- E - Wire divider panel
- F - Plastic corner stabilizer - 1
- G - Plastic clips - 2
- H - Corner caps - 2

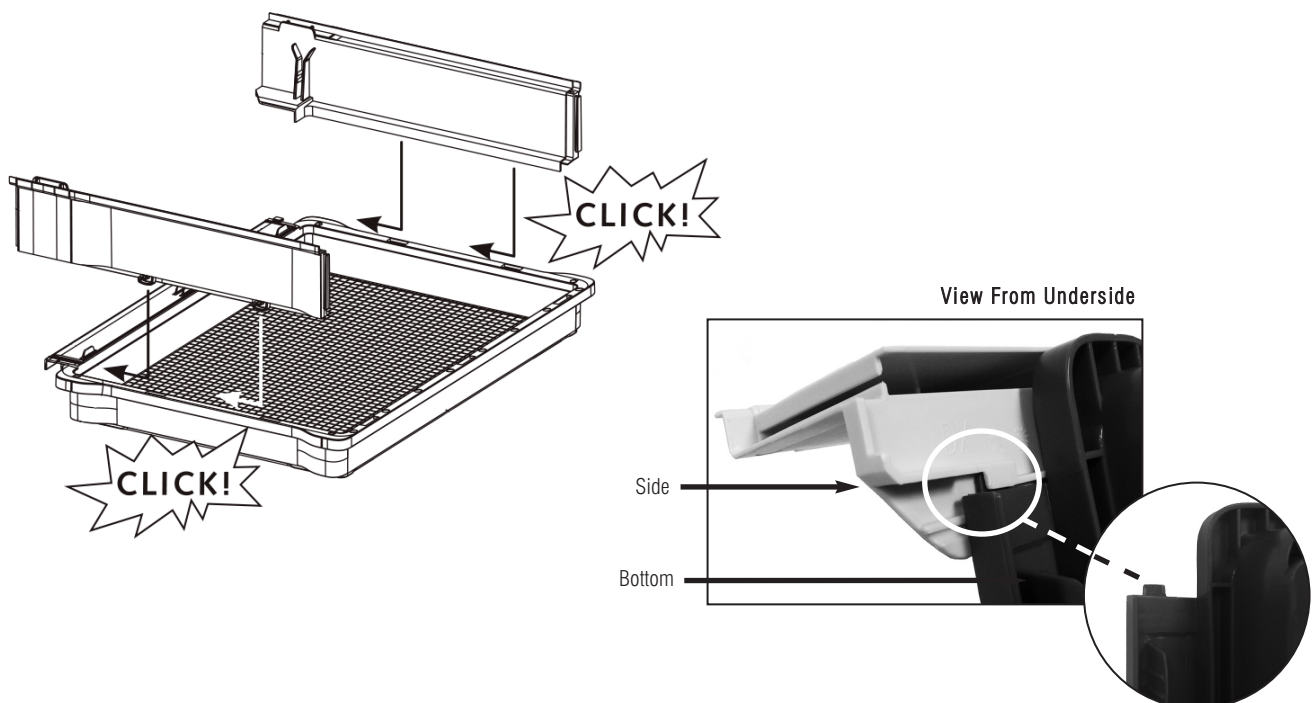


ASSEMBLY INSTRUCTIONS

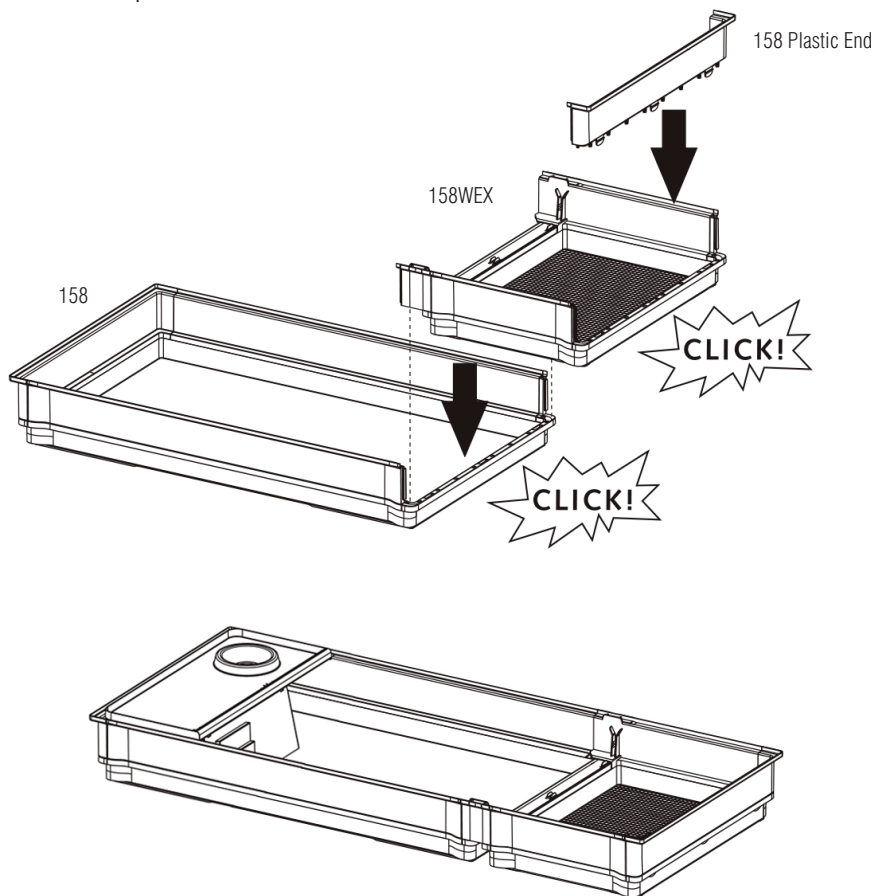
1. Begin with the 158 base unit. Remove the wire top from the 158. The corner stabilizer that rests next to the elevated feeding area should remain attached to the wire top. The other corner stabilizer should be set aside for later. Remove the plastic end from the bottom and keep it close by. You will use this in Step 3.



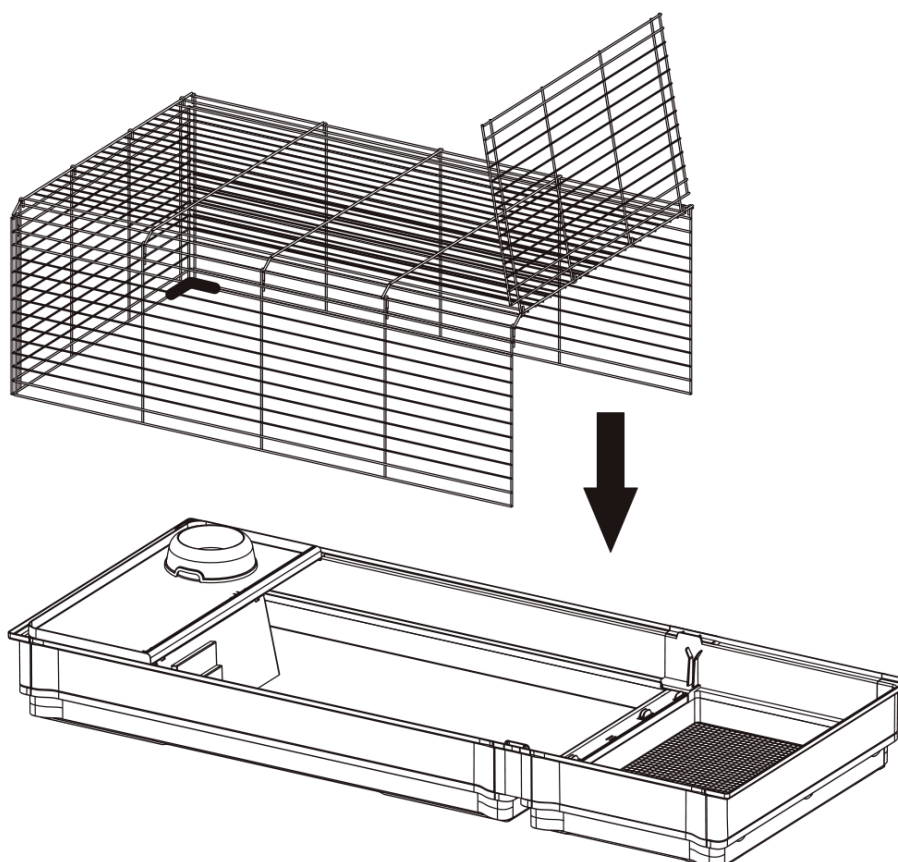
2. Assemble the 158WEX bottom tray. Connect the two plastic sides (B) to the plastic bottom (A) as shown. Make sure the tabs on each side of the bottom slide into the grooves of the sides.



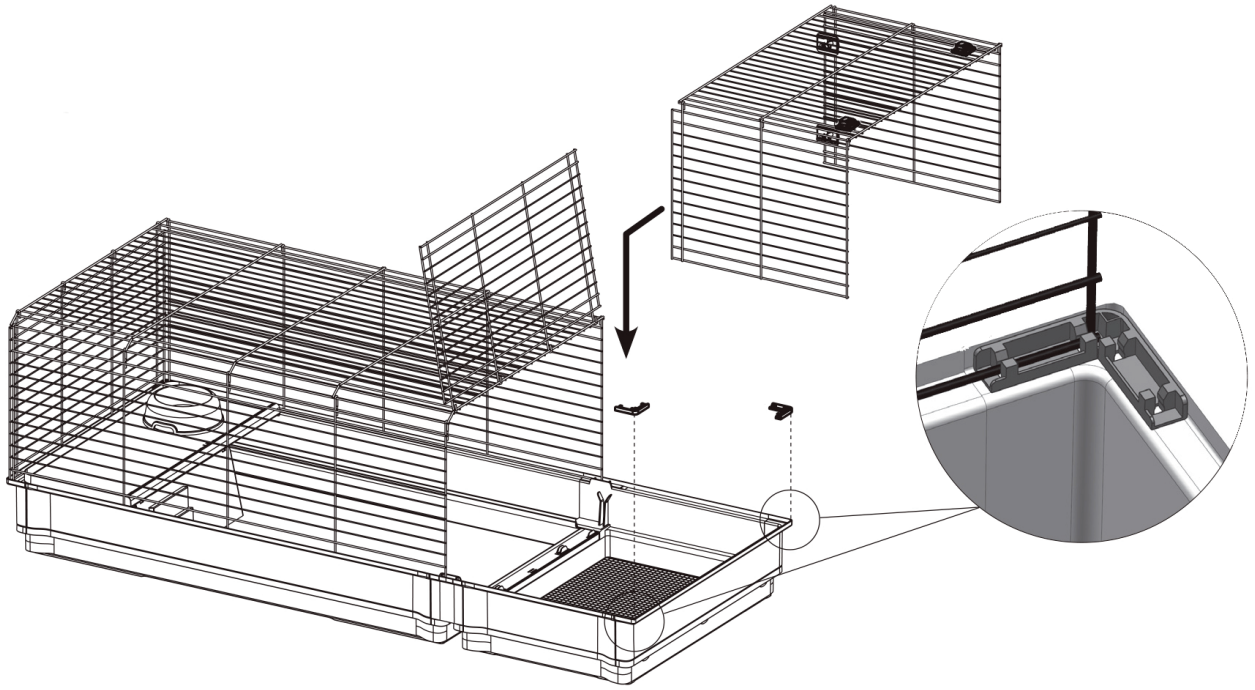
3. Attach the assembled extension bottom to the bottom of the 158 base unit. Attach the plastic end that was removed from the 158 base unit in Step 1 to the end of the extension.



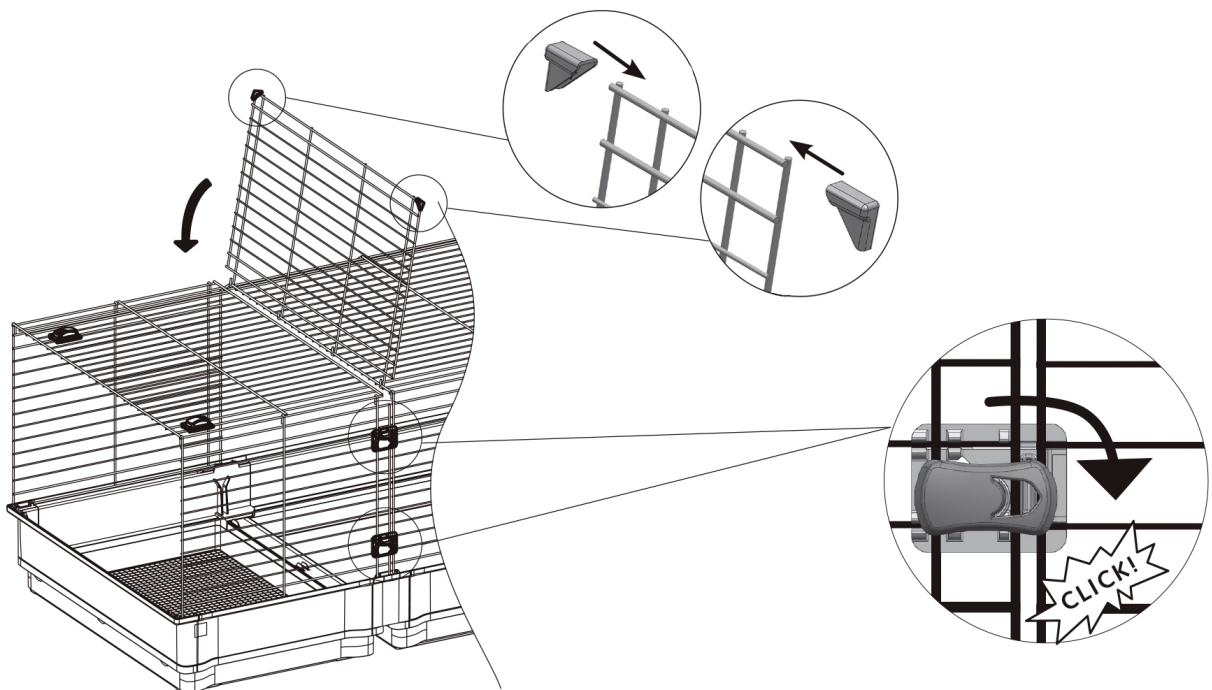
4. Place the wire top from the 158 back on the 158 base unit. The corner stabilizer should remain on the corner near the elevated feeding area.



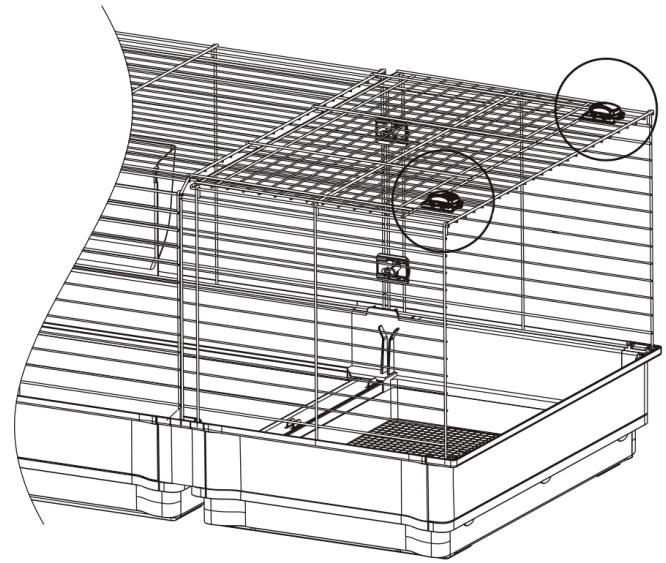
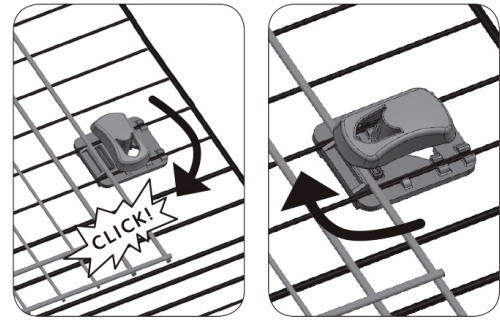
5. Using a corner stabilizer that was removed from the 158 base unit in Step 1, place two corner stabilizers (F) in the corners of the 158WEX plastic bottom. Then, place the 158WEX wire top (C) on the plastic bottom, snapping the wire into place in the corner stabilizers.



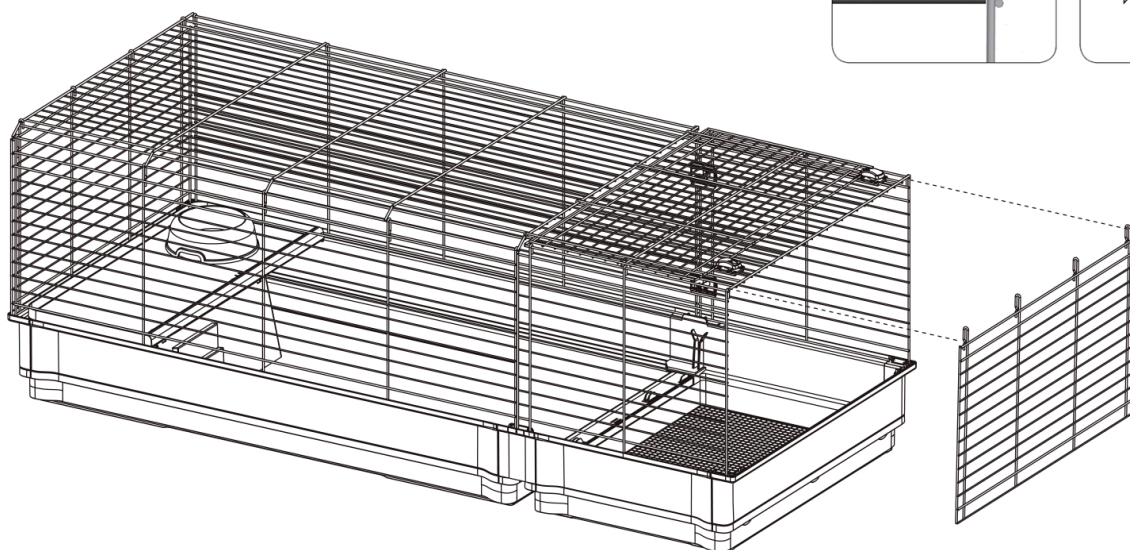
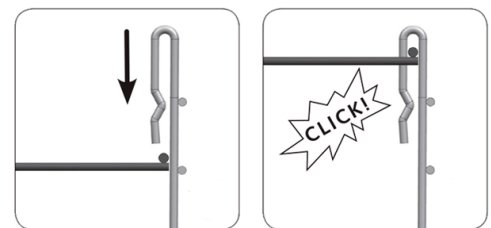
6. Place the corner caps (H) on the corner of the wire end/door panel from the 158 base unit, then it lay on the wire top of the 158WEX. Connect the side of the 158WEX wire top to the side of the 158 base unit by turning the two plastic buckles as shown.



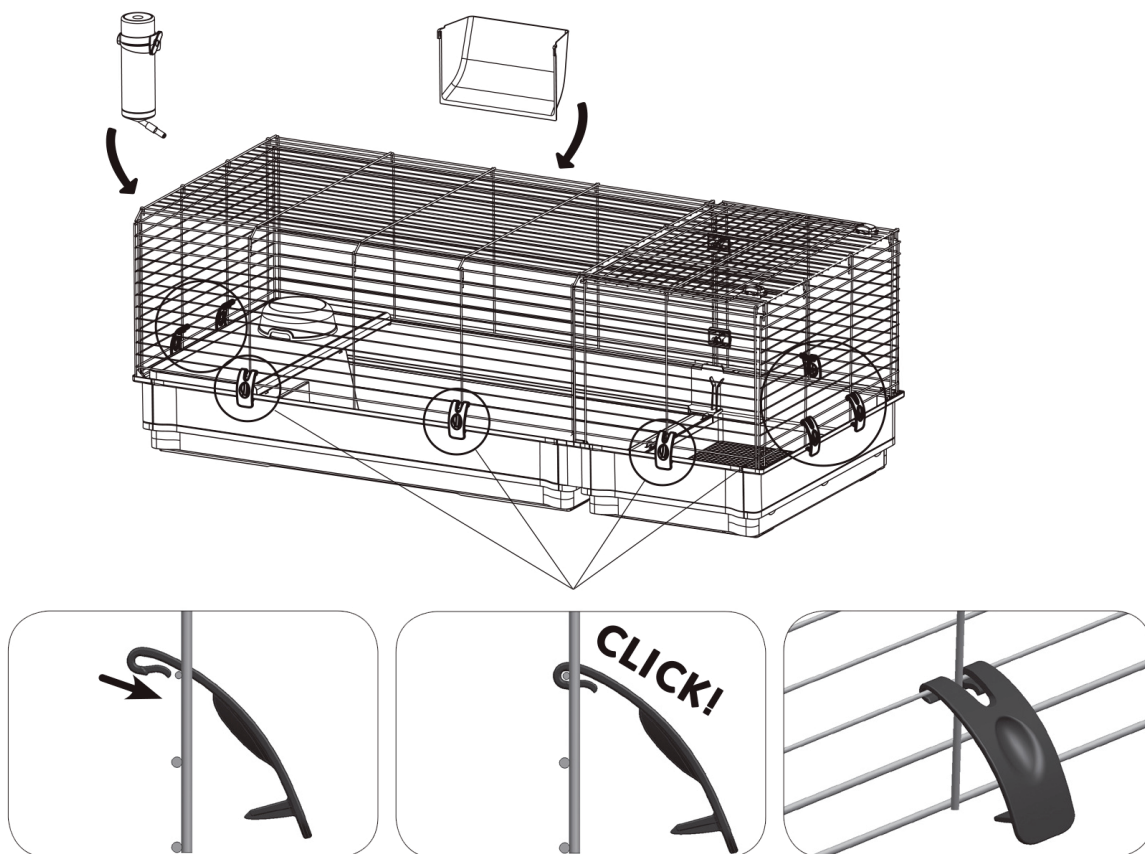
7. The two remaining plastic buckles are used to secure the wire end/door panel from the 158 base unit to the wire top of the 158WEX. Turn the plastic buckles as shown.



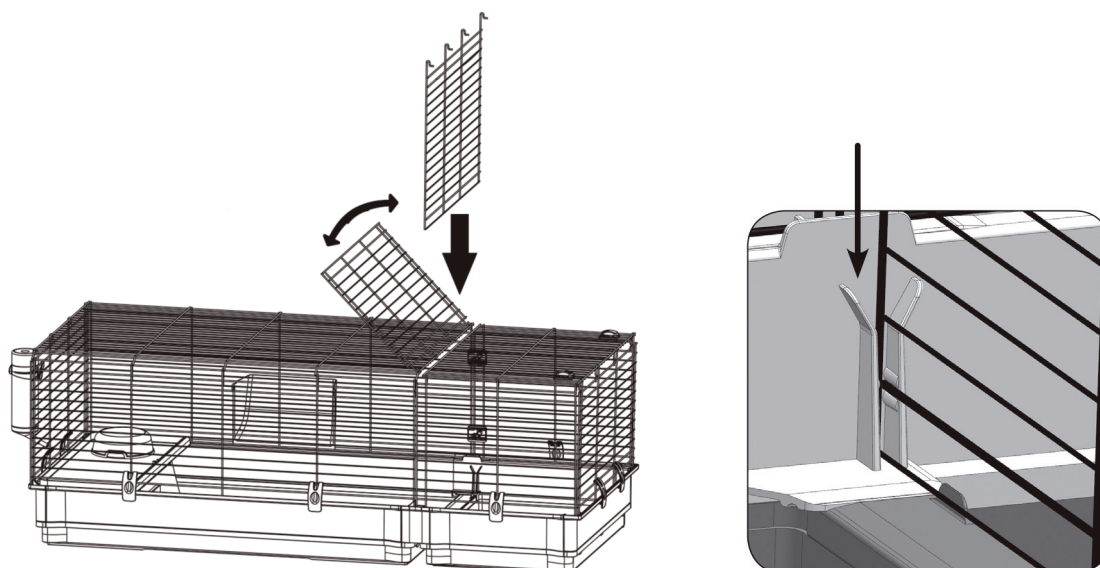
8. Attach the wire end panel/door (D) to the wire top of the 158WEX as shown.



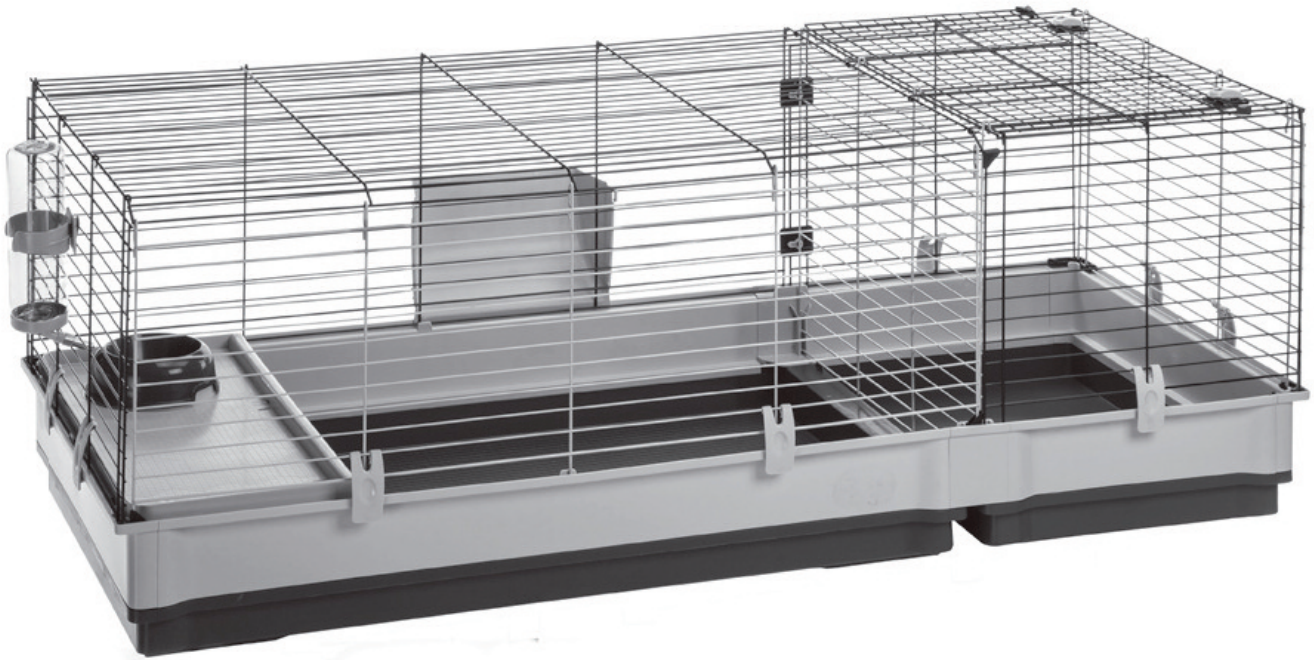
9. Reattach the water bottle and hay feeder to the outside of the home. Place the plastic clips from the base unit and the extension unit (G) around the outside of the home as shown. Use the clips to secure the wire top to the plastic bottom.



10. Use of the divider panel is optional, but it can be used to separate the expanded home into two sections, which can be helpful for cleaning and feeding or for other purposes. To insert the divider panel, twist the two buckles on top of the home to release the end panel of the 158 base unit. Swing the end panel over and insert the divider panel, making sure it slides into the guides on either side of the plastic bottom. Swing the end panel back and secure with the two buckles.

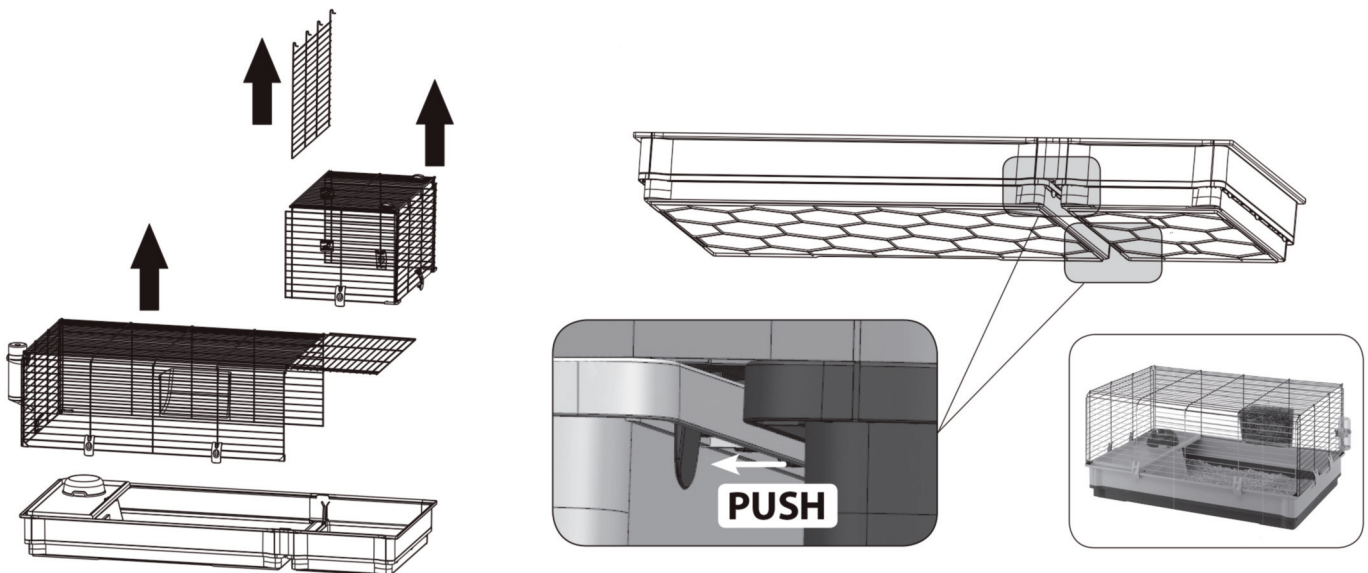


11. Furnish with bedding, toys, and accessories as desired.



To Disassemble:

Release the clips around the home and remove the wire tops and divider panel. Disconnect the plastic bottoms by releasing the tabs underneath. Remove the plastic end from the 158WEX extension and reconnect it to the end of the 158 base unit. Reattach the wire top and accessories.



To clean your Wabbitat Deluxe Rabbit Home, wipe with a damp cloth and mild, pet-safe cleaner. Allow to air dry. Do not expose to direct sunlight for extended periods of time.

TOLL-FREE SERVICE HELPLINE: If you have any problems or questions with the assembly of your Wabbitat Deluxe Rabbit Home, call our Service Helpline at: 1-800-428-8560 between 9:00 a.m. and 4:00 p.m. (EST) Monday through Friday.

LIMITED MANUFACTURER'S WARRANTY

1. For one (1) year from the date of original purchase, MIDWEST Homes For Pets ("MIDWEST") warrants to the purchaser of this pet home that, should it prove defective by reason of improper workmanship and/or material, MIDWEST will repair or replace, at its option, any defective part of the pet home, without charge for the part or for shipping. Replacement parts are warranted for the remainder of the original period.
2. **THIS WARRANTY DOES NOT COVER** defects in the home caused by any animal, any physical abuse to or misuse of the pet home, any damage caused by the original purchaser or any third party, or any defects arising or discovered more than one (1) year from the original retail purchase date.
3. **STEPS TO OBTAIN WARRANTY SERVICE:**
 - A. The purchaser must call MIDWEST's HELPLINE, 800-428-8560, to report the alleged defect to a customer service representative or obtain missing parts.
 - B. The customer service representative will determine if the defect is covered by this warranty and, if it is, will authorize and instruct the purchaser in how to obtain corrective action.
 - C. MIDWEST may require the purchaser to present the sales receipt or other proof of purchase prior to authorizing any return or replacement. No returns or replacements will be permitted without proper authorization. If a return or replacement is authorized, you may be requested to return the item to MIDWEST or to make the item available for pick-up by MIDWEST.
4. **ANY EXPRESS WARRANTY NOT PROVIDED IN THIS WARRANTY DOCUMENT, AND ANY REMEDY FOR BREACH OF CONTRACT THAT, BUT FOR THIS PROVISION, MIGHT ARISE BY IMPLICATION OR OPERATION OF LAW, IS HEREBY EXCLUDED AND DISCLAIMED. THE IMPLIED WARRANTIES OF MERCHANTABILITY AND OF FITNESS FOR ANY PARTICULAR PURPOSE ARE EXPRESSLY LIMITED TO A TERM OF ONE (1) YEAR. SOME STATES DO NOT ALLOW LIMITATIONS ON HOW LONG AN IMPLIED WARRANTY LASTS, SO THE ABOVE LIMITATIONS MAY NOT APPLY TO YOU.**
5. **UNDER NO CIRCUMSTANCES SHALL MIDWEST BE LIABLE TO PURCHASER OR ANY OTHER PERSON FOR ANY SPECIAL, INCIDENTAL OR CONSEQUENTIAL DAMAGES, WHETHER ARISING OUT OF BREACH OF WARRANTY, BREACH OF CONTRACT OR OTHERWISE, SOME STATES DO NOT ALLOW THE EXCLUSION OR LIMITATIONS OF INCIDENTAL OR CONSEQUENTIAL DAMAGES, SO THE ABOVE LIMITATIONS OR EXCLUSION MAY NOT APPLY TO YOU.**
6. This warranty gives you specific legal rights, and you may also have other rights which vary from state to state.

For a Complete Listing of Products
Small Animal Habitats • Pet Beds
Outdoor Hutches & Coops • Pet Playpens ...
- Come Visit Our Website

