



Type 1854/1855
Model 8786
Ni-MH

de Gebrauchsanweisung
Akku-Haarschneidemaschine

fr Mode d'emploi
Tondeuse à cheveux batterie

#8786-800

IMPORTANT SAFEGUARDS

When using your clipper, basic precautions should always be followed:

READ ALL INSTRUCTIONS BEFORE USING

Read the product's documentation before working on it. Follow all safety precautions and instructions as described in the documentation.

DANGER:

To reduce the risk of death or injury by electric shock:

- 1) The appliance is intended for trimming purposes only.
- 2) Do not place or store appliance where it can fall or be pulled into a tub or sink. Do not place in or drop into water or other liquid.
- 3) Except when charging, always unplug this appliance from the electrical outlet when not in use.
- 4) Unplug the clipper or recharge stand from the cord before cleaning.
- 5) Do not reach for an appliance that has fallen into water. Unplug immediately.
- 6) Do not use while bathing or in a shower.

WARNING:

To reduce the risk of burns, fire, electric shock or injury to persons:

- 1) Do Not Crush, Disassemble, Heat above 100°C (212°F), or Incinerate the appliance, due to Risk of Fire, Explosion, or Burns.
- 2) Close supervision is necessary when this appliance is used by, on, or near children or disabled persons.
- 3) Use this appliance only for its intended use as described in this manual. Do not use attachments not recommended by the manufacturer.
- 4) Do not use this appliance with damaged or broken blades or broken attachments, as facial injury may occur.
- 5) Never operate this appliance if it has a damaged cord or battery charger transformer, if it is not working properly, if it has been dropped or damaged, dropped into water. Do not modify or attempt to repair the clipper, charger, plug-in transformer or battery pack. Return the appliance to a Service Center for examination and repair.
- 6) Do not carry this appliance by supply cord or use cord as a handle.
- 7) Keep the cord away from heated surfaces.
- 8) Never drop or insert any object into any opening.
- 9) Do not place or leave the appliance where it is expected to be subject to damage by an animal or exposed to weather.
- 10) Do not operate where aerosol (spray) products are being used or where oxygen is being administered. Do not use clipper germicide cleaners containing phynyl phenol.
- 11) Use only the charger, plug-in transformer and battery pack supplied by the manufacturer.
- 12) Always attach plug to appliance first, then to outlet. After use, unplug the appliance from the outlet.
- 13) Keep the appliance dry.

SAVE THESE INSTRUCTIONS

THIS CLIPPER WAS DESIGNED FOR COMMERCIAL USE ONLY

GENERAL:

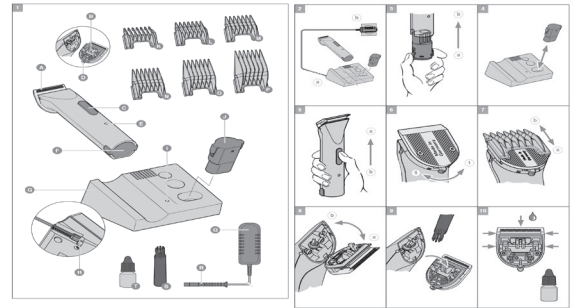
- 1) Only use hair clippers to cut human hair. Only use animal clippers to cut animal hair and animal fur.

2) The appliance is safety insulated and radio screened. It meets the requirements of EU Directive 2004/108/EC regarding electromagnetic compatibility and EC Low Voltage Directive 2006/95/EC.

Exhausted batteries/rechargeable batteries should not be disposed of in house-hold waste. Dispose of them in accordance with legal regulations.

Description of parts

- A Blade set
- B On/off switch
- C Battery power indicator
- D Battery pack
- E Charger
- F Charging stand socket
- G Charging indicator
- H Interchangeable battery pack
- I Attachment comb*, cutting length 3 mm
- J Attachment comb*, cutting length 6 mm
- K Attachment comb*, cutting length 9 mm
- L Attachment comb*, cutting length 12 mm
- M Plug-in transformer
- N Appliance plug
- O Cleaning brush
- P Oil for blade set



* Attachment combs may not be included in all kit variations, such as equestrian kits.

Start-up

- The battery-powered clipper contains a removable battery pack.
- Before the appliance is used for the first time, the battery pack should be charged for 75 minutes.
- Connect the appliance plug (N) on the plug-in transformer (M) to the charging stand socket (F) (Fig 1).
- Connect the plug-in transformer to the mains power supply (Fig. 2)
- Press the unlock buttons on the side and remove the battery pack (Fig. 2)
- Insert the battery pack into the recess of the charger (Fig. 3). The red charging indicator (G) on the charger (E) lights up.
- After the charging process has been completed, the charging indicator (G) on the charger (E) will start blinking.
- Remove the battery pack from the charger and insert it into the appliance until you hear it snap into place (Fig. 2)
- The battery only needs to be recharged when the battery power indicator (C) on the hand-held appliance lights up during operation. In this case, the remaining capacity is still approx. 15%. It should take approximately 75 minutes for the appliance to charge to full capacity. The second battery can remain in the charger. This way, a charged battery pack is always available.
- With the battery fully charged, a hair clipper can be operated for approx. 100 minutes.
- With the battery fully charged, a animal clipper can be operated for approx. 80 minutes.
- **Note:** In case of insufficient maintenance of the blade set, the operating time can be reduced considerably.

Operation

- Switch on the appliance using the on/off switch (Fig. 4) and, after use, switch it off again (Fig. 4)b.
- When pressing the slide switch, the control light (G) will light up briefly, indicating the readiness of the appliance.

Cutting-length adjustment

The cutting length can be adjusted to between 0.7 mm and 3 mm (5 possible positions) using the cutting-length adjustment integrated into the blade set (Fig. 5). To do this, set the adjustment lever to the desired position and let it snap into place.

Cutting with attachment combs

The appliance can also be operated with attachment combs. In order to achieve the indicated cutting length, the cutting length adjustment lever should be set to position 1 (Fig. 5).

Attaching/removing the attachment comb

- Slide the attachment comb on to the blade set in the direction of the arrow until it reaches the stop limit (Fig. 6)a.
- The attachment comb can be removed by pushing it in the direction of the arrow (Fig. 6)b.

Cleaning and Care

- Do not immerse the appliance in water!
- After each use, remove the attachment comb and use the cleaning brush to remove cut hairs from the housing opening and from the blade set. To do this, remove the blade set (Fig. 7)a and press the cleaning lever (Fig. 8). This allows the cut hairs that accumulate between the bottom blade and the top blade to be easily removed using the cleaning brush

(EASY CLEANING).

- The charging contacts on the appliance and charging stand should always be kept clean.
- Only wipe the appliance with a soft cloth, which may be dampened slightly. Do not use solvents or abrasives!
- The Blade Ice spray (order no. 89400) delivers instant cooling, oiling and cleaning of the blade set, while also providing corrosion inhibiting action.
- For long-lasting, good cutting performance, it is important to oil the blade set frequently (Fig. 9). Use only blade set oil for this purpose, order no. 3311 (118.3 ml).
- Blade set oil and "Blade Ice" spray are available from your dealer or our Service Center. · If the cutting performance deteriorates after long use despite regular cleaning and oiling, the blade set should be replaced.

Changing the blade set

- Switch off the appliance using the on/off switch (Fig. 4).
- The blade set can be removed by sliding it away from the housing in the direction of the arrow (Fig. 7)a.
- Replace the blade set by hooking it into the housing and pressing it down until it clicks into position (Fig. 7)b.

Disposal

- Please dispose of the appliance at the end of its service life in an environmentally friendly manner.
- Switch on the appliance so that the batteries discharge completely.
- Press the unlock buttons on the side and remove the battery pack (Fig. 2). · Insert a screwdriver into the slot at the battery pack and lever out the cover.
- Extract the complete circuit board, lift the batteries at each plug contact from the circuit board and remove them from the other end.
- Take the batteries to an appropriate collection point.

