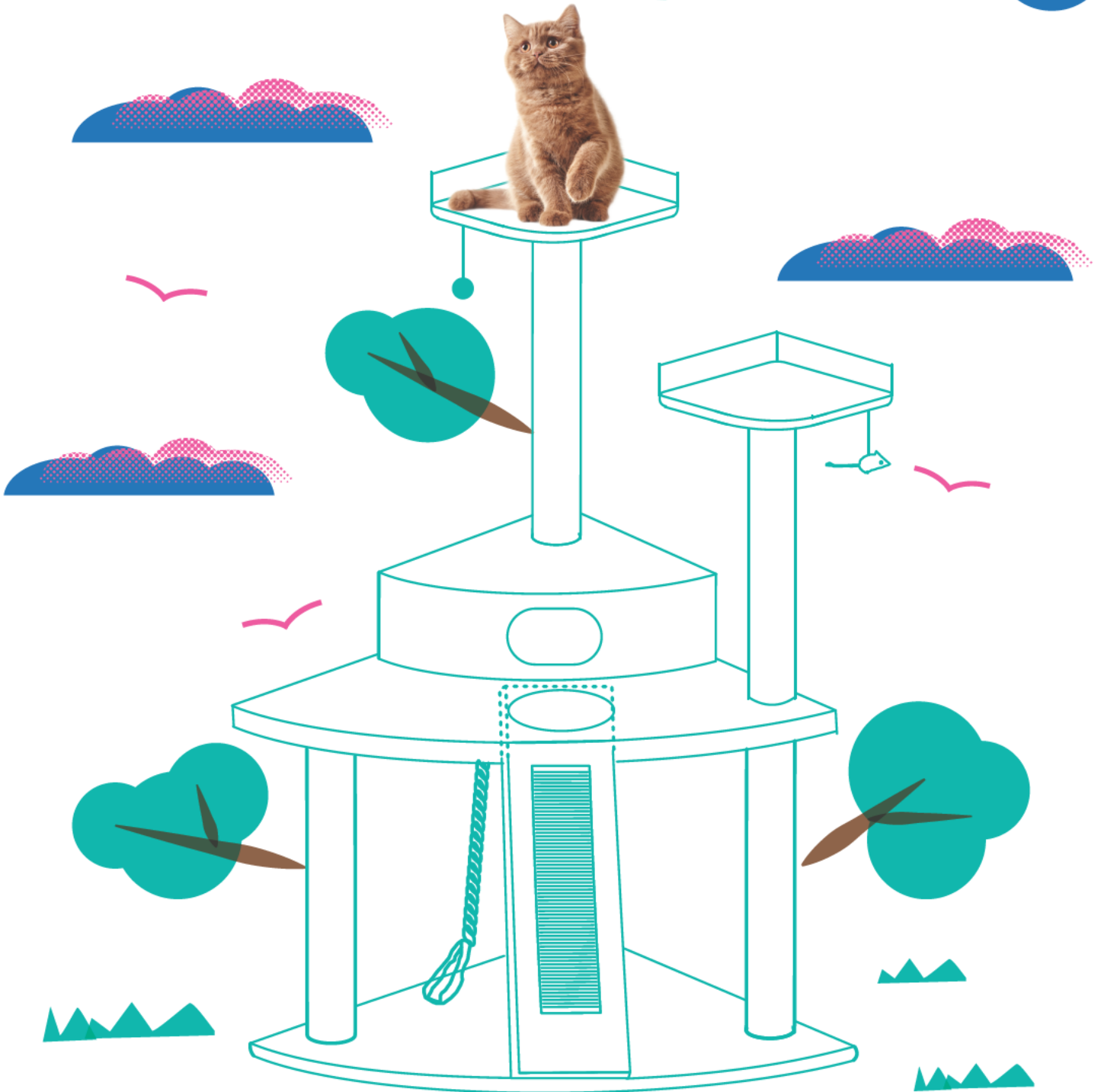


frisco.
better pet goods

48"
HEIGHT



SKU# 101801,105068

OVERALL DIMENSIONS

48"H x 25"W x 26"L

BASEBOARD DIMENSIONS

25"W x 27"L

CAT TREE

INSTRUCTION MANUAL

WARNINGS & CAUTIONS

PLEASE READ AND FOLLOW ALL WARNINGS AND INSTRUCTIONS TO AVOID PET INJURY OR PROPERTY DAMAGES.

- Keep all tools and instructions in a safe place for future reference.
- Follow the instructions carefully and make sure you've completed each step.
- This cat tree is intended for cat use only, please keep children away.
- Keep all small parts away from children/pets to avoid choking hazards.
- Never climb, rock, shake, step or hang on the cat tree.
- Place your cat tree indoors, away from direct sunlight or damp areas.
- Cat trees should be placed on a flat, level surface for stability.
- Check your cat tree often for loose screws or parts that might need re-tightening.
- If your cat tree gets torn or damaged, please discard it.
- The product photo may vary slightly from your fully assembled cat tree as this product is continually being enhanced.

CLEANING INSTRUCTIONS

Spot clean stains and vacuum fur (using small handheld or attachment) when necessary.

COMPONENTS

Prior to assembly, be sure to identify and sort all components shown below.

1
1PC
Baseboard

2
1PC
Platform

3
1PC
Apartment

4
1PC
Perch

5
1PC
Perch

6
1PC
Scratching Board

7
3PCS
Scratching Post
500mm

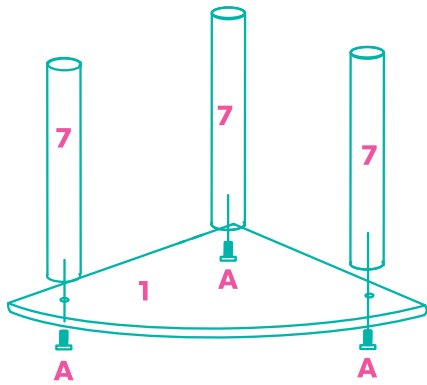
8
2PCS
Scratching Post
400mm

9
1PC
Rope

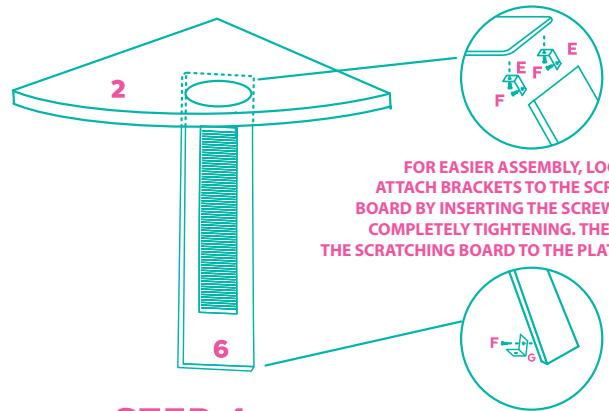
A		46mm Bolt	5PCS
B		31mm Bolt	1PC
C		60mm Bolt	1PC
D		90mm Double-sided Bolt	1PC
E		Bracket	2PCS
F		16mm Bolt	7PCS
G		Bracket	1PC
H		Bracket	1PC
I		30mm Screw	1PC
J		18mm Washer	1PC
K		30mm Drywall Anchor	1PC
		5mm Wrench	1PC
		4mm Wrench	1PC

ASSEMBLY INSTRUCTIONS

STEP 1

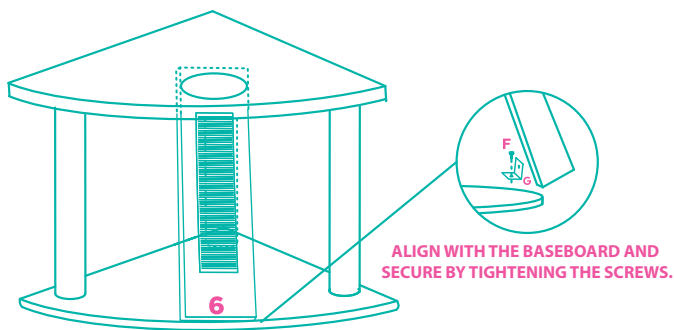


STEP 2



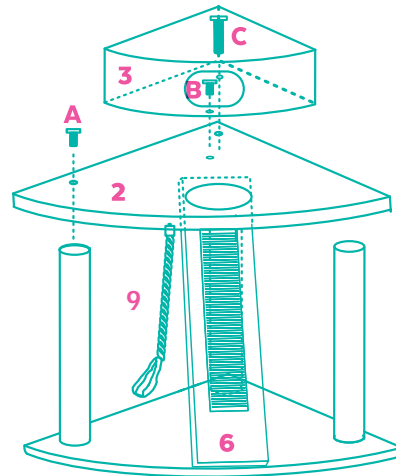
FOR EASIER ASSEMBLY, LOOSELY ATTACH BRACKETS TO THE SCRATCHING BOARD BY INSERTING THE SCREWS WITHOUT COMPLETELY TIGHTENING. THEN, ATTACH THE SCRATCHING BOARD TO THE PLATFORM, LOOSELY.

STEP 3

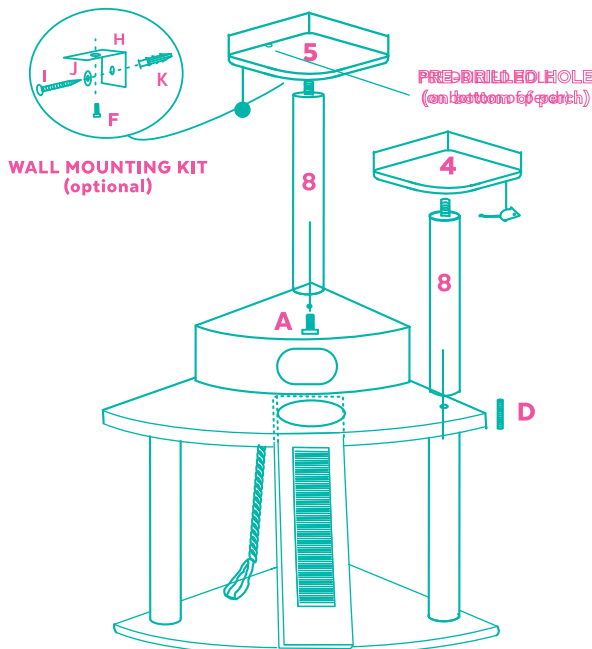


ALIGN WITH THE BASEBOARD AND SECURE BY TIGHTENING THE SCREWS.

STEP 4



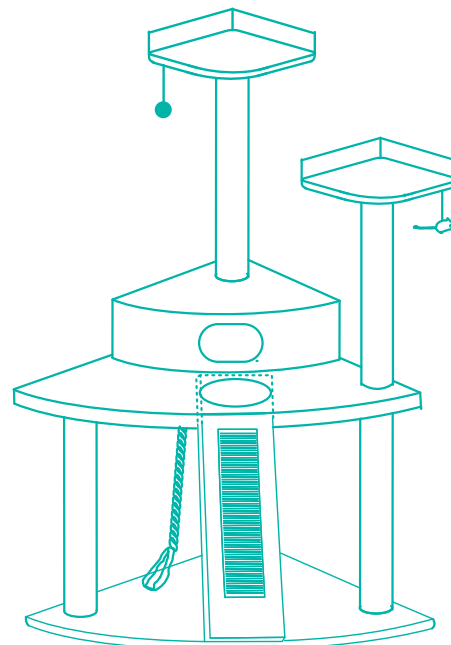
STEP 5



WALL MOUNTING KIT (optional)

PRE-DRILLED HOLE (on the bottom of post)

FINISHED ASSEMBLY



FULL ASSEMBLY

