

Flight Cage

Model: # F040 [A]

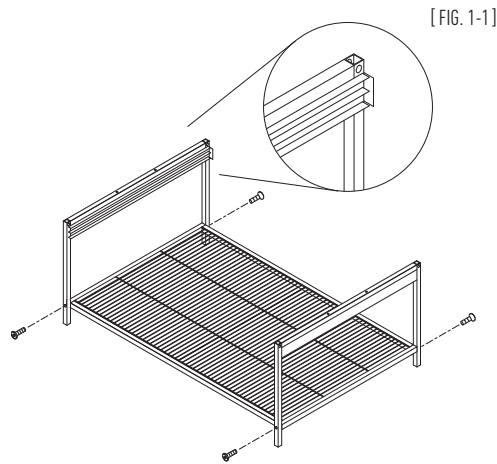
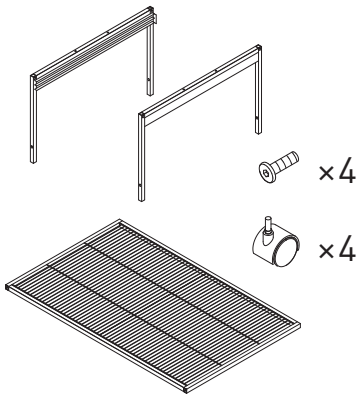
read first REVIEW BEFORE ASSEMBLY

- **TOOLS:** Allen wrench (included). Needle nose pliers (not included) will be useful. If power tools are used, Prevue is not responsible for damage caused by misuse.
- Two-person assembly for best results.

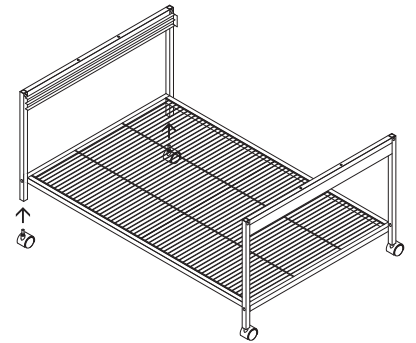
For assistance or replacement parts, please contact Prevue Pet Products:

TOLL-FREE 800.243.3624
ONLINE www.prevuepet.com
EMAIL customerservice@prevuepet.com

1 To assemble the **BASE**, you will need these pieces:

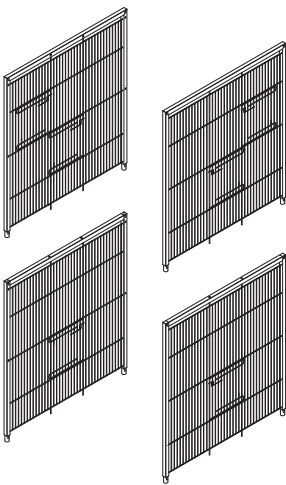


Attach the storage shelf to the leg frames to create the base. Back ends of leg frames have a backstop tab at the track ends (fig.1-1).



Flip assembled unit over and fully insert casters into frame legs.

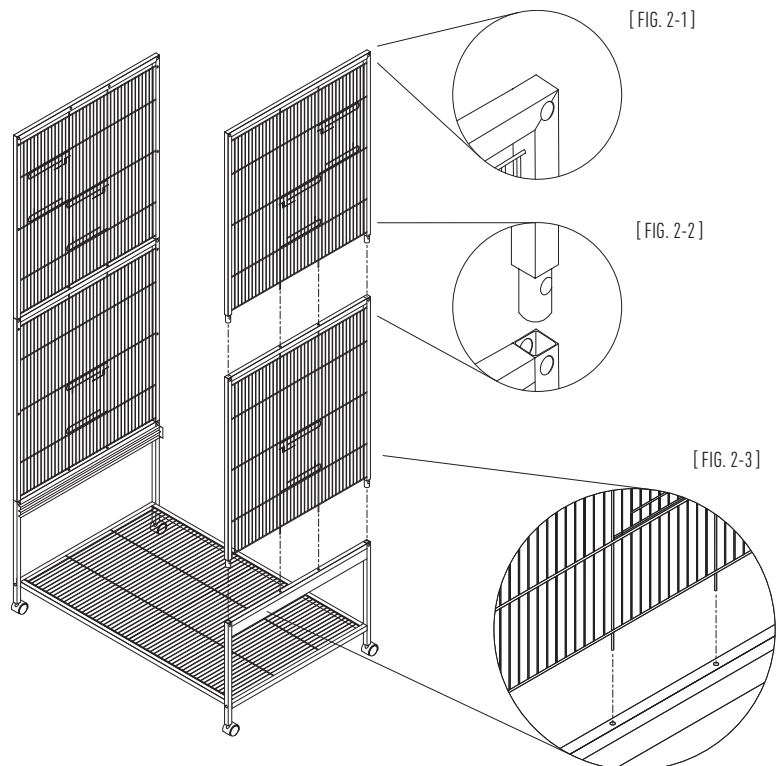
2 To assemble the **SIDES**, you will need these pieces:



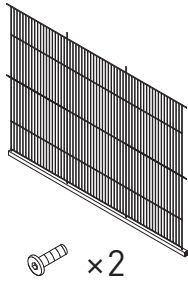
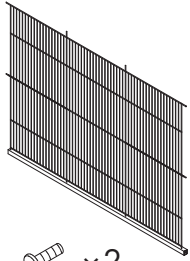
Stack the side panels in place on the base. For correct assembly, note these details:

- top side panel: has a finished corner (fig. 2-1).
- bottom side panel: top horizontal surface has small holes near the center and open-frame corners (fig 2-2), to align with posts and wires from the top side panel (fig 2-3).
- nest doors swing out

Notes: Have an assistant holding side panels for best results. Straighten extended wires or remove hole slugs with needle nose pliers.



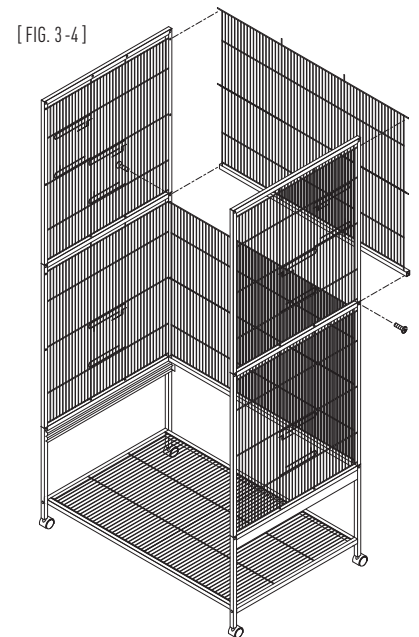
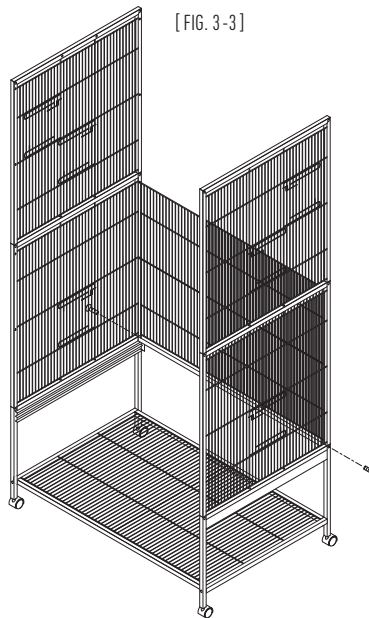
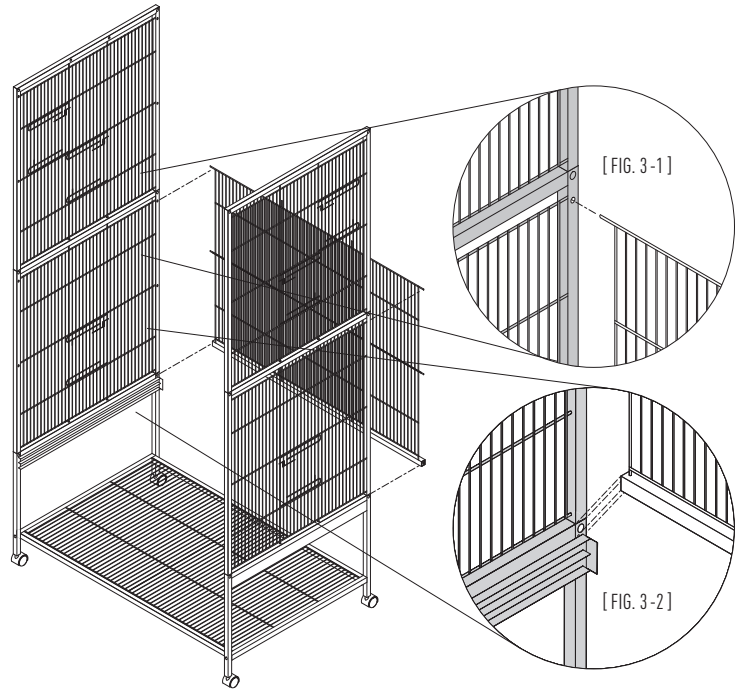
3 To assemble the **BACK**, you will need these pieces:



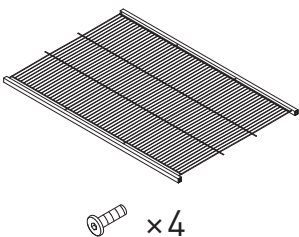
Back panels are identical and interchangeable. Install bottom panel by:

- inserting top extended wire into the side frame (fig. 3-1);
- aligning bottom frame with hole in side frame (fig. 3-2), and;
- securing panels together with a screw in each lower corner (fig 3-3).

Repeat for top back panel (fig 3-4).



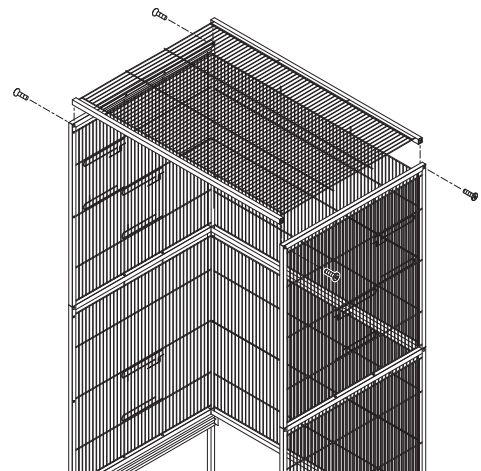
4 To assemble the **ROOF**, you will need these pieces:



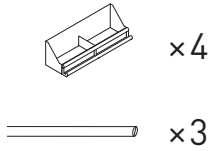
- Align the roof panel with corners;
- Align extended wires from back panel with holes on underside of roof frame;
- Align extended wires of roof with holes along side frames.

Secure roof with screws in each corner.

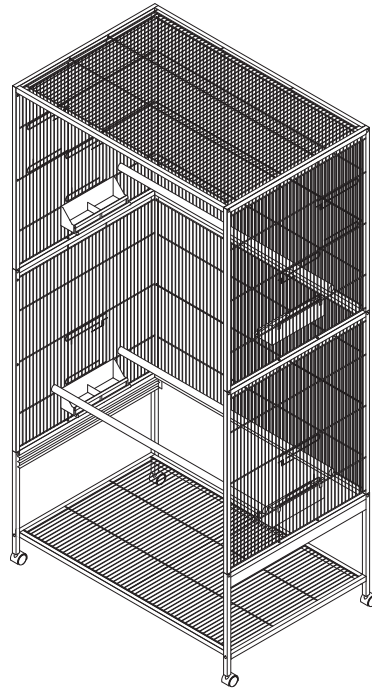
Note: The addition of the roof stabilizes the cage during assembly. The front two screws may be left loose until the end of Step 5.



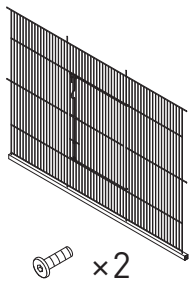
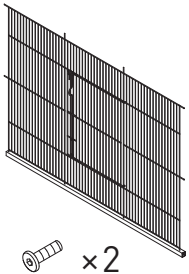
5 To install **PERCHES** and **CUPS**, you will need these pieces:



Hang food/water cups under the doors in the side panels. Insert perches around the cage in appropriate places.



6 To assemble the **FRONT**, you will need these pieces:



Loosen (but don't remove) the two front corner screws of the roof to allow for installation of front panels.

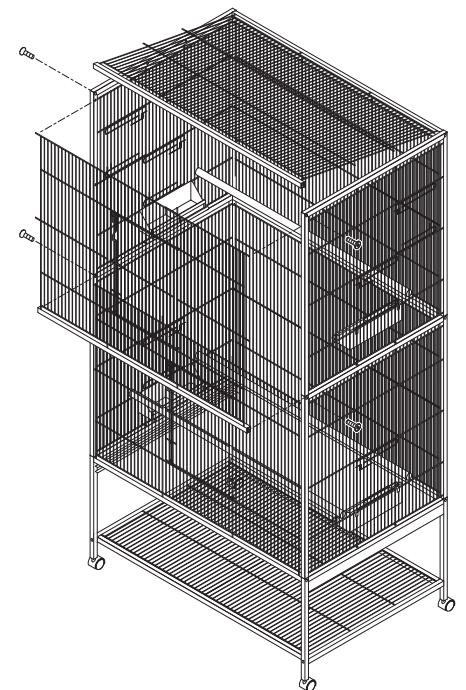
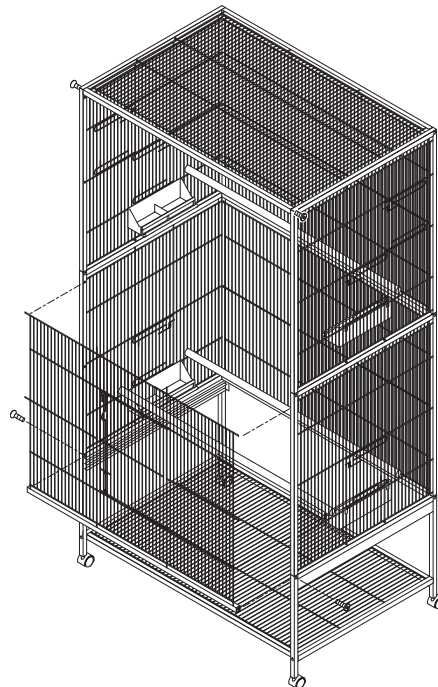
- Align extended wires on lower front panel with holes on side frames;
- align bottom corners with screw holes on side frames.
- secure the panel loosely with screws in each lower corner.

Remove the front two screws of the roof completely. Have your assistant hold the roof open slightly while you align wires, holes and corners, same as the lower front panel.

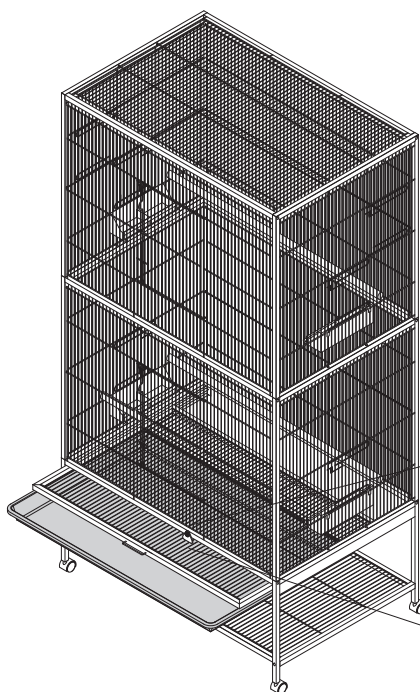
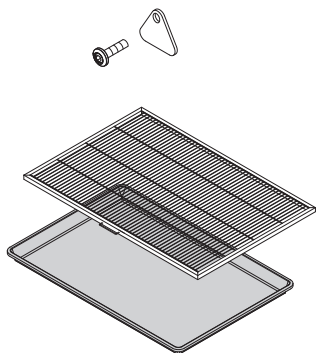
Secure the upper front panel with screws in each lower corner.

Replace the screws in the upper front corners of the roof panel.

Work your way around the entire frame —front and back — tightening up all screws for a secure and stable cage.



7 To complete the assembly, you will need these pieces:



Slide the grille and the tray in place.

Install the windbell lock (fig. 6-1).

Your cage is now fully assembled and ready for use.

CLEANING INSTRUCTIONS

Prolong the life of your Prevue Pet Products cage with these recommendations:

- When cleaning the cage, use a mild soap and soft cloth or Teflon-resistant scrubber (such as Prevue's Cage Saver non-abrasive scrub pad [#109]).
- After washing, dry the cage thoroughly with a dry soft cotton cloth to prevent rust.
- Wash the tray with soap and warm water. Do not leave the tray in the sun to dry, as the tray may warp. Hand-dry the grille and tray with a soft cotton cloth before placing back into cage.

