

EXTENDED BENCH SEAT COVER

Installation & Care

Installation:

- 1) Clip adjustable straps **(A)** around your seat head rests so that the cover aligns itself with your vehicle's seat.
- 2) **OPTIONAL:** There is an optional back strap **(B)** that attaches around the back of your seat, clipping together in the back. This is for extra fitting support in vehicles where the seat folds down.
- 3) The under-seat elastic cord **(C)** simply slips through triangle **(D)** and attaches through the left and right cord locks **(E)**. Pull straight across, leaving no slack; tuck excess bungee under the edge of the seat.
- 4) Use the extra storage pockets **(F)** for anything you like! We suggest lots of fun dog stuff.

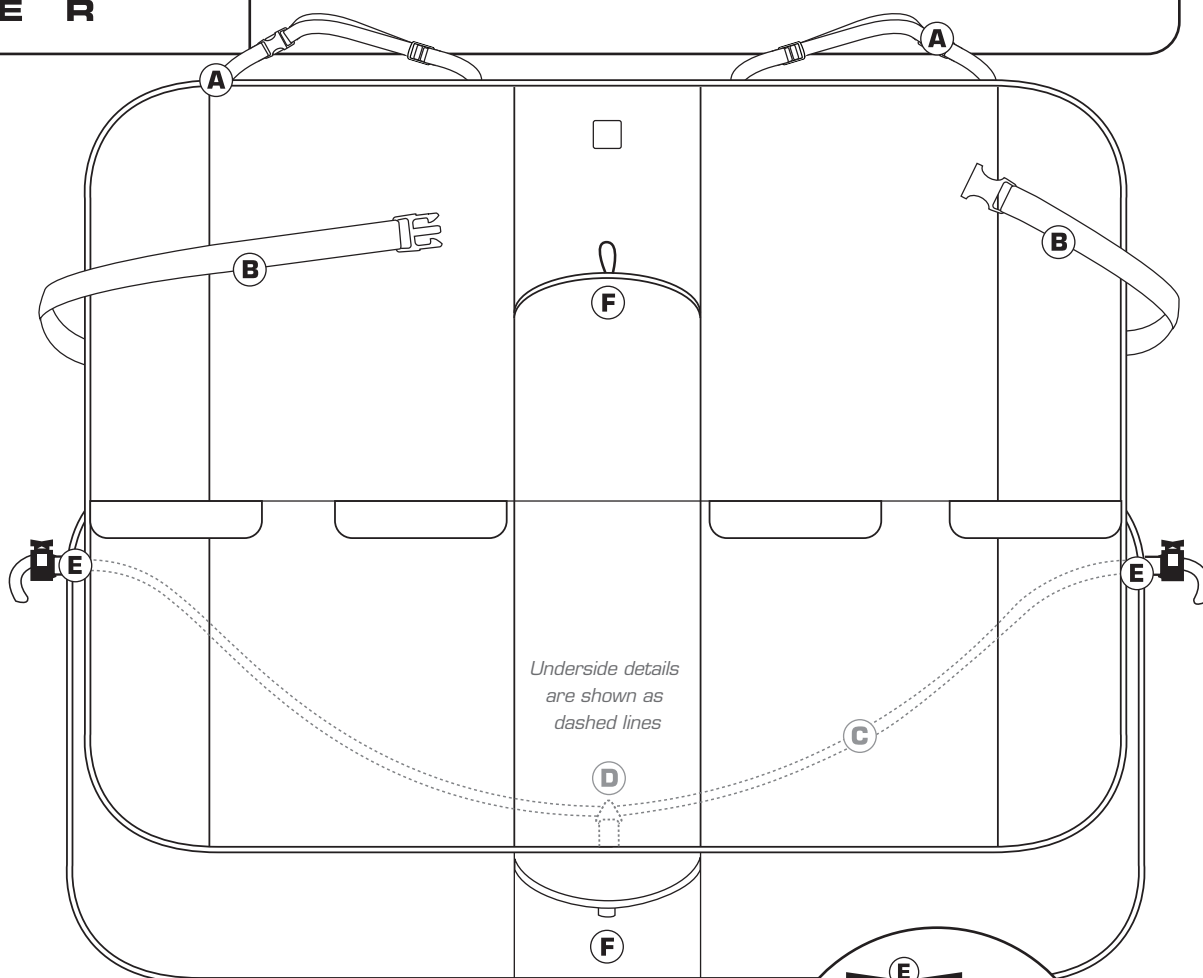
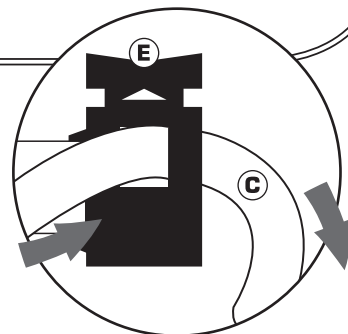


Figure 1

Push top of Cord Lock **(E)** down and pull Cord **(C)** to tighten.



Become a fan of Kurgo on Facebook and receive all the latest updates, giveaways and contests.

Cleaning Instructions

Our product cleaning instructions will help ensure that your gear has a long, exciting life. In general, washing by hand and hang air-drying is the best way to care for your Kurgo products. However, for the occasions when the mess is too great and time is too tight, we recommend using a washing machine.

Hand Wash Instructions

Note: Recommended for small messes.

1. Brush off loose dirt with a dry brush.
2. Spot clean with a damp sponge, cold water, and mild soap. Avoid harsh detergents.
3. If necessary, rinse larger area to eliminate excess soap residue.
4. Hang to air dry (do not machine dry).

Machine Wash Instructions

Note: Only machine wash gentle in front-loading units (DO NOT use machine with an agitator as it could cause damage not covered under the Kurgo Warranty)

1. Secure all buckles and hardware.
2. Wash with cold water and mild soap. Avoid harsh detergents.
3. Rinse thoroughly to eliminate soap residue.
4. Hang to air dry (do not machine dry).

