

north states™

*Quality Products
for the way you live*

INSTRUCTIONS FOR MODELS 8657 / 8799 / 8807



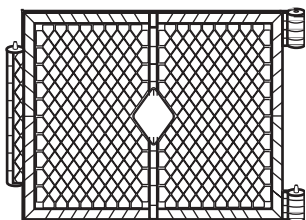
IMPORTANT: PLEASE KEEP FOR FUTURE REFERENCE!

For helpful tips and instructions, please visit our website: www.northstatesind.com or contact our Customer Care department via email: CustomerService@northstatesind.com
Phone: (763) 486-1756 or Toll Free: (800) 848-8421

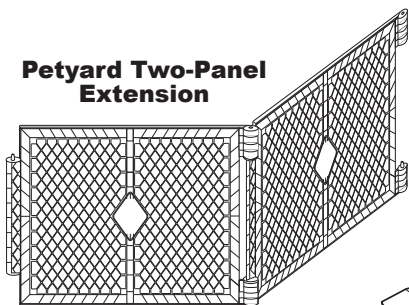
Contact information on cover of these instructions.

Part Description	Gray Part Number	Brown Part Number
Carrying Strap (Gray)	10018	10018
Carpet Foot (Dark Gray)	11412	11412
Spring	11457	11457
Screw	11470	11470
Skid-Resistant Pads	20303	20303
Latch/Lock	25784	25784
Plunger (Dark Gray)	25548	25548
Replacement Panel (1 Panel)	11411R	25746R
Replacement Pet Door Panel (1 Pet Door Panel)	25682R	25745R
Petyard Two-Panel Extension	8662	n/a

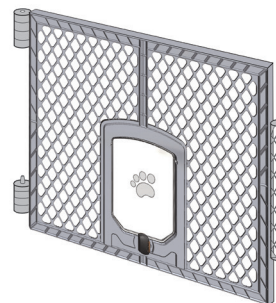
Replacement Panel (1 Panel)



Petyard Two-Panel Extension



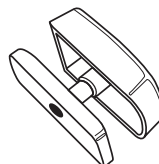
Replacement Pet Door Panel (1 Panel)



Spring

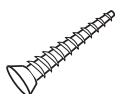


Carrying Strap (Gray)



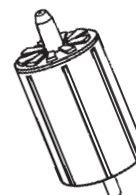
Latch/Lock

Dark Gray Carpet Foot



Screw

Skid-Resistant Pads



Plunger (Dark Gray)

⚠️ WARNING

- Never leave child unattended.
- When child is present, always keep the pet door in the locked position.
- This product may not prevent all accidents.
- Never use with a child able to open, climb over or dislodge the enclosure.
- To prevent serious injury or death, securely install and use the enclosure according to manufacturer's instructions.
- Use only with the panels securely locked in place.
- To prevent falls, never use the enclosure at top of a stairway.
- This product is intended for use with children from 6 to 24 months of age.
- This enclosure is not intended for use across window openings, or to be screwed into walls or any other solid structures. Do not use it as a barrier for stoves or heaters.
- Do not use this product on a smooth, slippery surface unless the skid-resistant pads are installed.
- Do not use the enclosure if any components are damaged or missing.
- Do not use on uneven surfaces.
- Do not attempt to use this enclosure in temperatures less than 40° F (4° C) or damage may result.
- The enclosure is designed to be used only in configurations having an even number of panels; in other words, configurations having either 4, 6, or a maximum of 8 joined panels.
- Any additional or replacement parts should only be obtained from the manufacturer or distributor.

INSTRUCTIONS FOR INSTALLING SKID-RESISTANT PADS

Your North States enclosure can now be used on hard surfaces (hardwood floors, tile, linoleum, etc.) by installing the enclosed skid-resistant pads.

1. Ensure that the surface of the yard panel is clean and dry prior to installing the pads.
2. Remove a single pad from the release paper as shown in FIGURE 1 below.
3. Place the adhesive side of the pad on the bottom edge of the yard panel approximately 2" from the center of each hinge, as shown in FIGURE 2 below.
4. Repeat steps 2 & 3 for each of the eleven remaining pads.
5. Maximum skid-resistance will be maintained by cleaning the bottoms of the pads periodically with a water-dampened clean cloth.

FIGURE 1

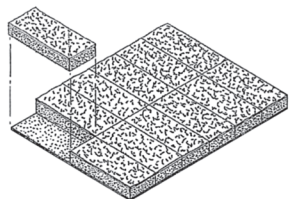
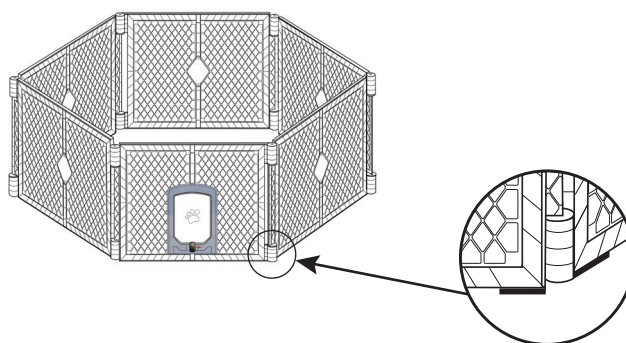


FIGURE 2



SET-UP INSTRUCTIONS

Begin setting up your enclosure by unsnapping the gray carrying strap and carefully unfolding the panels to form a hexagon, as shown in FIGURE 3 at right. (NOTE: Form an octagon when using eight panels and a square when using four panels).

When you have finished unfolding the panels, there will be two unconnected panels arranged as shown in FIGURE 4 at right. Make certain that the dark gray carpet foot (D) is up as shown.

Begin connecting the panels together by gently lifting up on panel 1 and setting the opening "A" (as shown in FIGURE 5) over pin "B" located on panel 2.

Now locate the slot on the lower end of cylinder "D", as shown in FIGURE 6. This slot tapers to an opening that accommodates pin "C".

Gently press down on panel 1 while aligning pin "C" with the end of the slot in cylinder "D". While maintaining downward pressure on panel 1, lift slightly on panel 2, and slide pin "C" through the slot and into the opening as shown.

EXTENSION INSTALLATION

Two-panel extensions are sold separately. An extension enables you to expand the Petyard to a maximum of 34.4 square feet (see page 2).

The extension is installed by following the "SET-UP INSTRUCTIONS" that appear above.

FIGURE 3

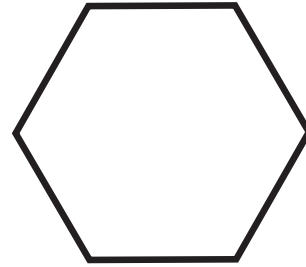


FIGURE 4

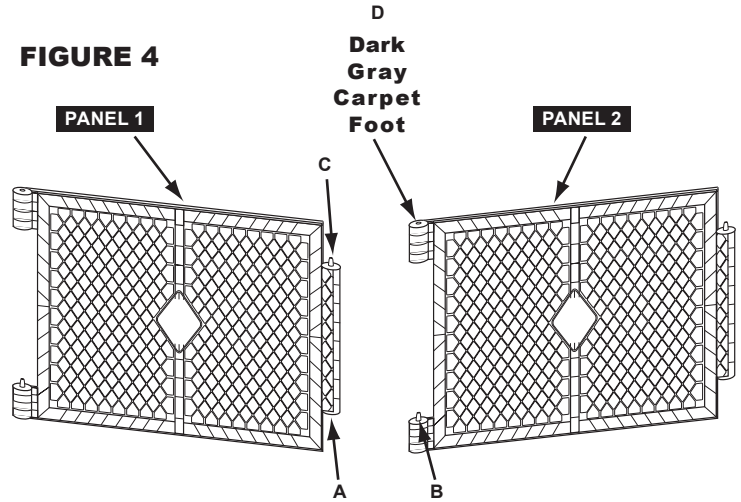


FIGURE 5

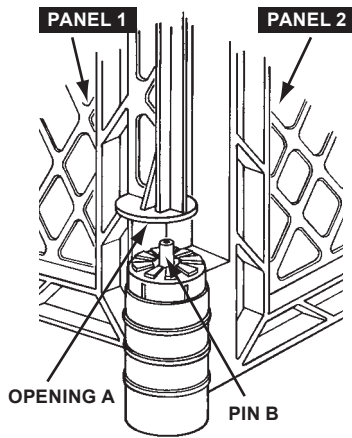
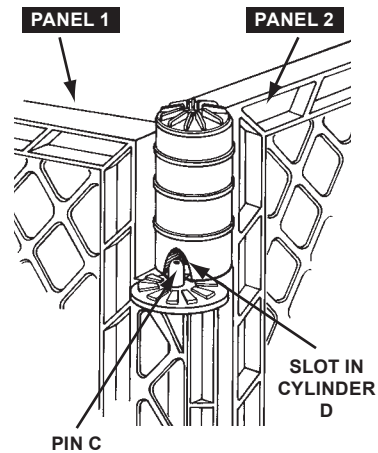


FIGURE 6



PROPER SET-UP CONFIGURATIONS

We recommend that you use your Petyard only as an enclosure, not as a barrier. See FIGURE 7 at right for proper configuration.



FIGURE 7

TO OPEN ENCLOSURE

To disconnect two adjoining panels, select one of the three joints where a dark gray carpet foot is facing up, as shown in FIGURE 8 at right.

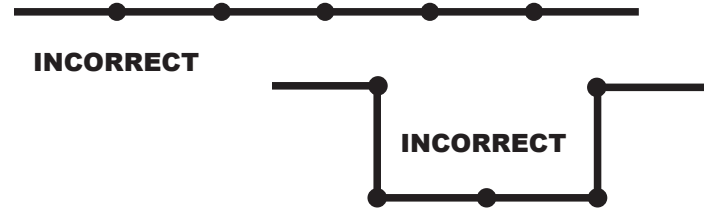


FIGURE 8

Gently press down on panel 1 while lifting slightly on panel 2. This will enable you to slide pin "C" free of cylinder "D" (see FIGURE 6). Then lift up on panel 1 until opening "A" (see FIGURE 5) is free of pin "B".

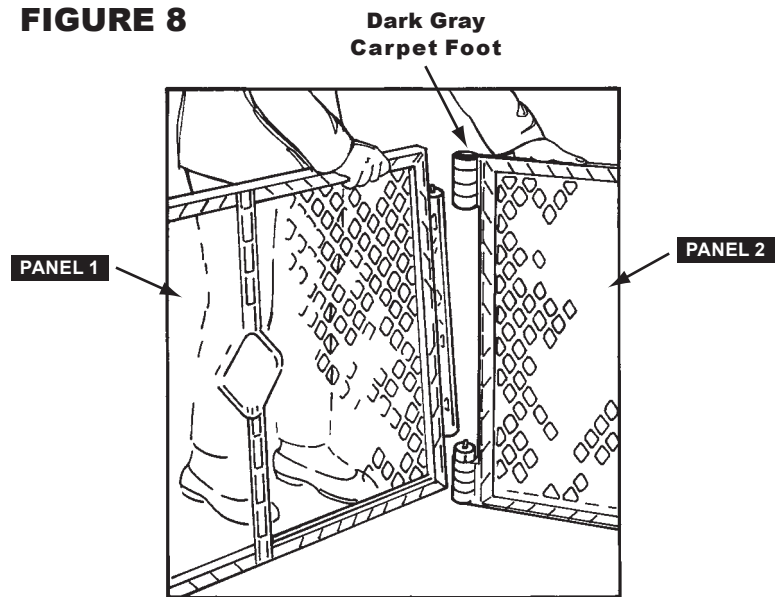


FIGURE 9

PET DOOR OPERATION

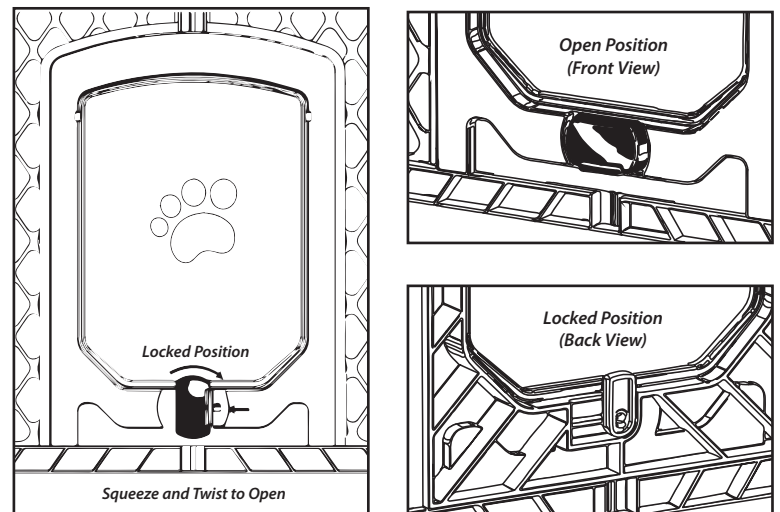
Your enclosure comes from the factory with the pet door in the "LOCKED" POSITION (See FIGURE 9).

TO UNLOCK

Squeeze and twist the front center knob located below the pet door. As you twist, the knob will line up with the arrows on the right or left sides of the knob. The pet door will move freely in both directions for your pet to pass through.

TO LOCK

Squeeze and twist the front center knob located below the pet door. As you twist, the knob will be in the upright position, keeping the door securely locked.



WARNING

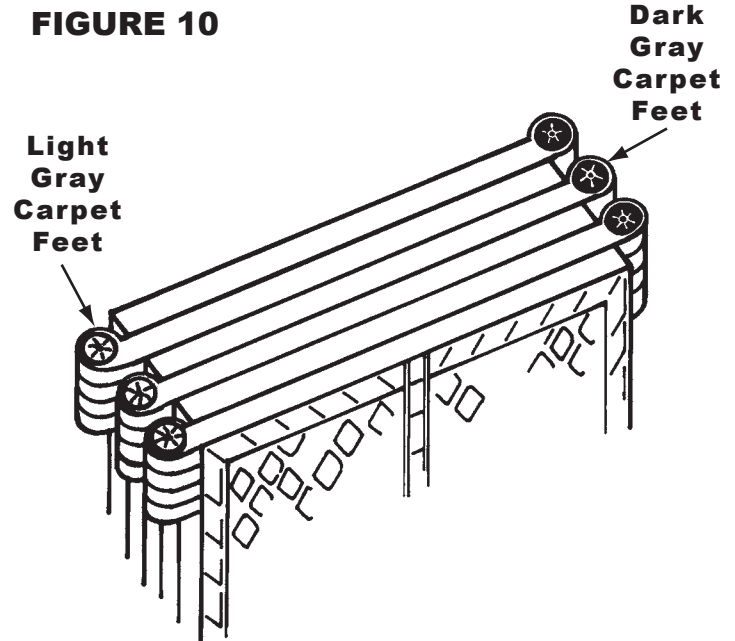
Make certain that the pet door is securely locked in the closed position if using with a child 6-24 months of age.

FOLDING FOR TRANSPORT OR STORAGE

Your enclosure folds compactly for transport or storage. You must, however, fold the panels properly. Disassembly and folding is accomplished by first following the “TO OPEN ENCLOSURE” instructions on page 5.

Gently fold the panels (without forcing, jerking or slamming them together) in alternating directions. FIGURE 10 at right illustrates the configuration of a properly folded yard.

Slip one end of the gray carrying strap through the mesh near the top middle of each outside panel and snap it closed. The enclosure is now ready for transport or storage.



CLEANING INSTRUCTIONS

Your enclosure is manufactured from durable, weather-resistant plastic panels. To clean, wash the panels with mild, non-abrasive detergent, rinse with clean water, and allow to dry thoroughly.

REPLACING A PANEL

A broken panel can easily be replaced by obtaining one from the manufacturer (see page 2).

Remove the broken panel by following the “TO OPEN ENCLOSURE” instructions (page 5).

Install the replacement panel by following the “SET-UP INSTRUCTIONS” (page 4).