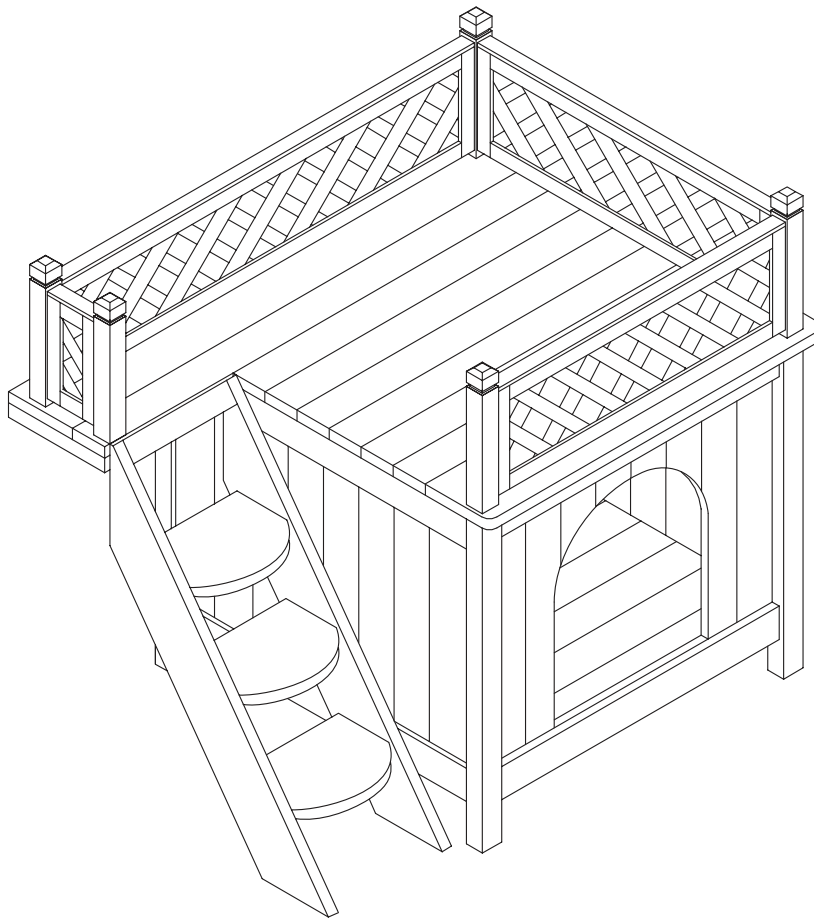


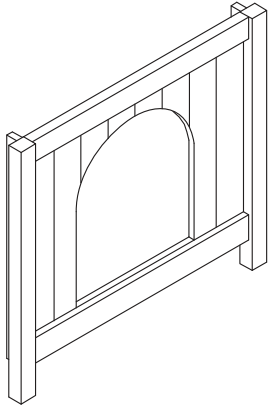
CARE INSTRUCTIONS

Thank you for choosing MERRY PRODUCTS'™ ROOM WITH A VIEW DOG HOUSE With a little care and maintenance, MERRY PRODUCTS'™ ROOM WITH A VIEW DOG HOUSE will provide your pet with comfort and enjoyment for many years to come!

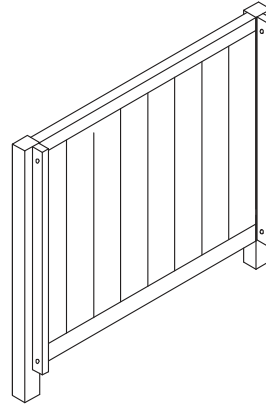
- To clean panels, use clean water on a damp cloth.
- When assembling MERRY PRODUCTS'™ ROOM WITH A VIEW DOG HOUSE, please handle all panels and/or hardware with care to avoid any possibilities of damages and/or injuries.



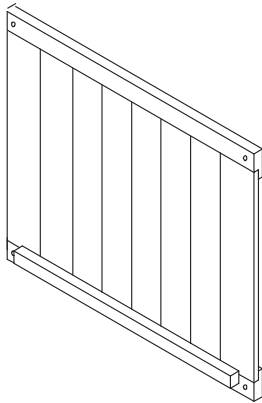
NOTE: Please read all instructions carefully before starting assembly.
Also, we recommend that the unit is fully assembled on a level surface.
Two people are recommended to assemble this product.
DO NOT over torque screws and bolts.



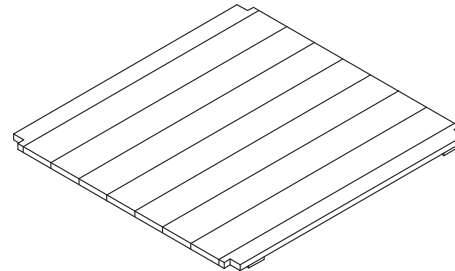
A FRONT PANEL X 1PC



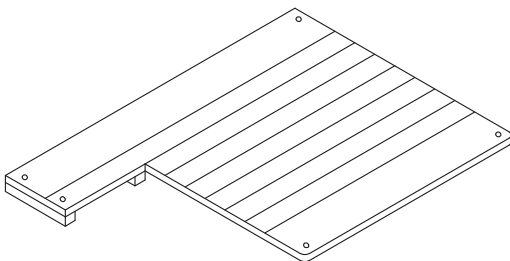
B REAR PANEL X 1PC



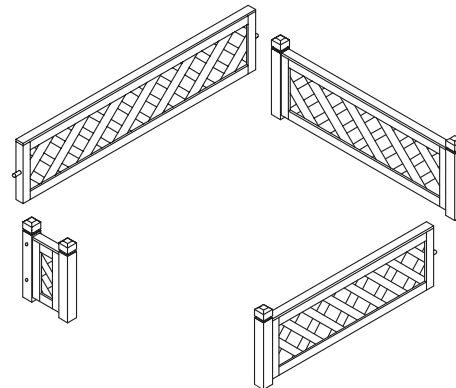
C SIDE PANELS X 2PCS



D FLOOR PANEL X 1PC

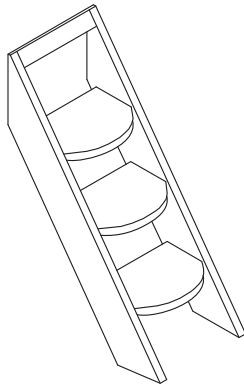


E SUN DECK PANEL X 1PC

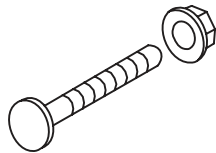


F DECK FENCE X 1PC

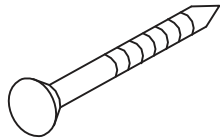
NOTE: Please read all instructions carefully before starting assembly.
Also, we recommend that the unit is fully assembled on a level surface.
Two people are recommended to assemble this product.
DO NOT over torque screws and bolts.



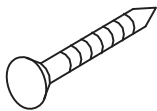
G STAIR CASE X 1PC



H ————— BOLT AND NUT ————— 8 PCS

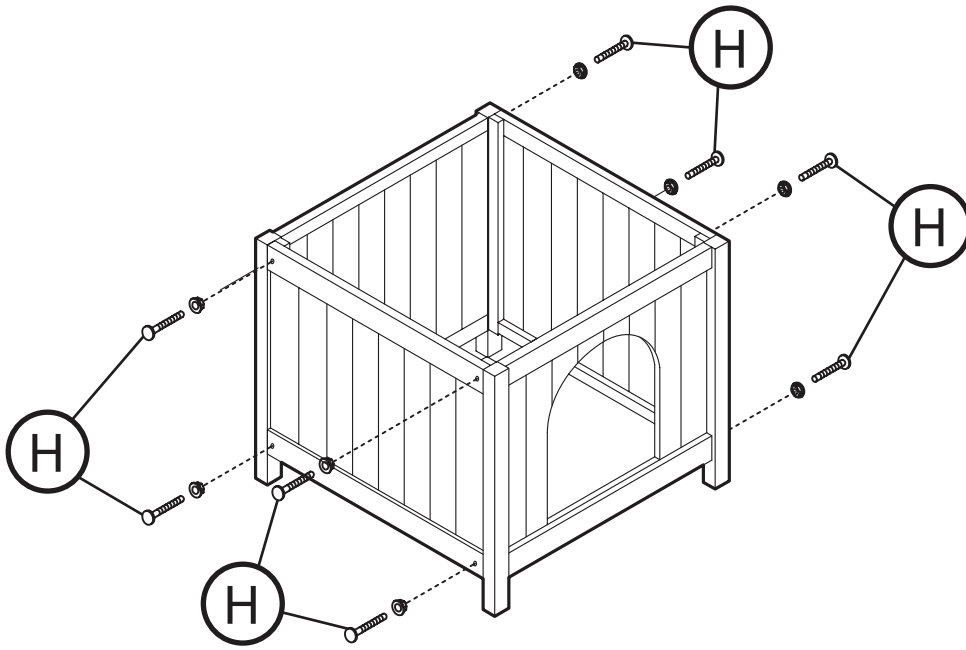


I ————— LONG SCREW ————— 10 PCS

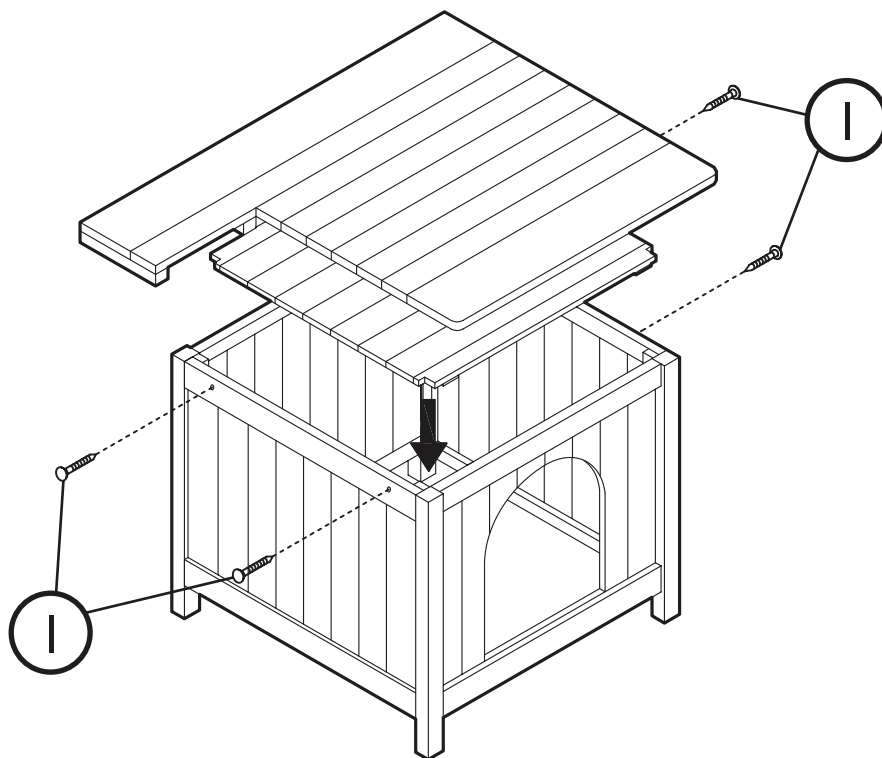


J ————— SHORT SCREW ————— 8 PCS

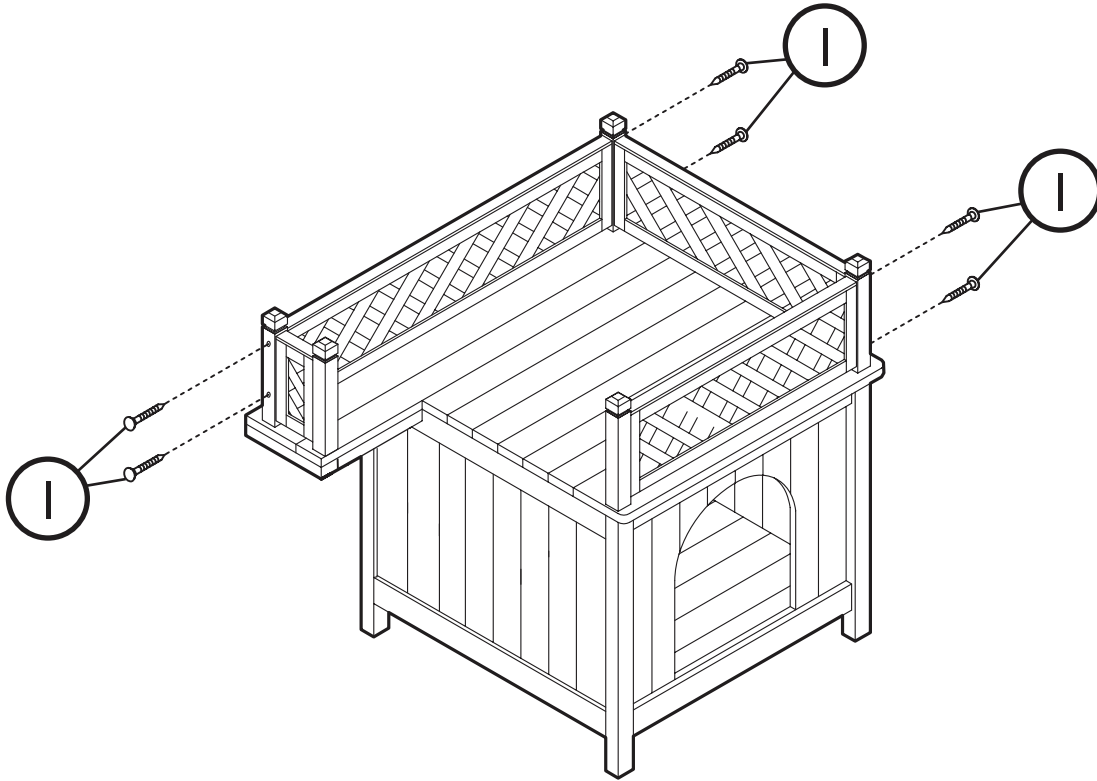
1



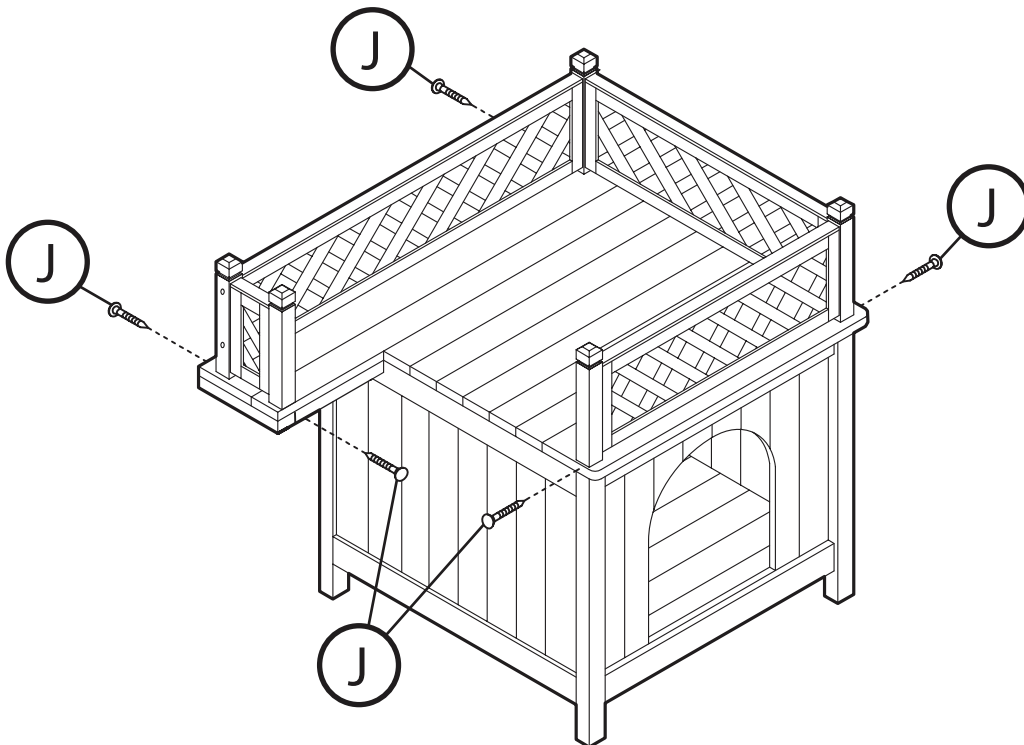
2



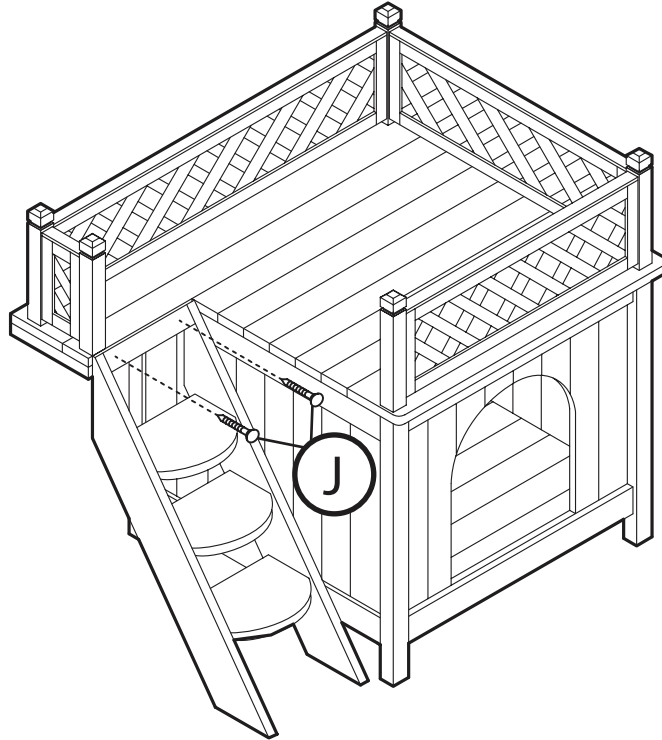
2



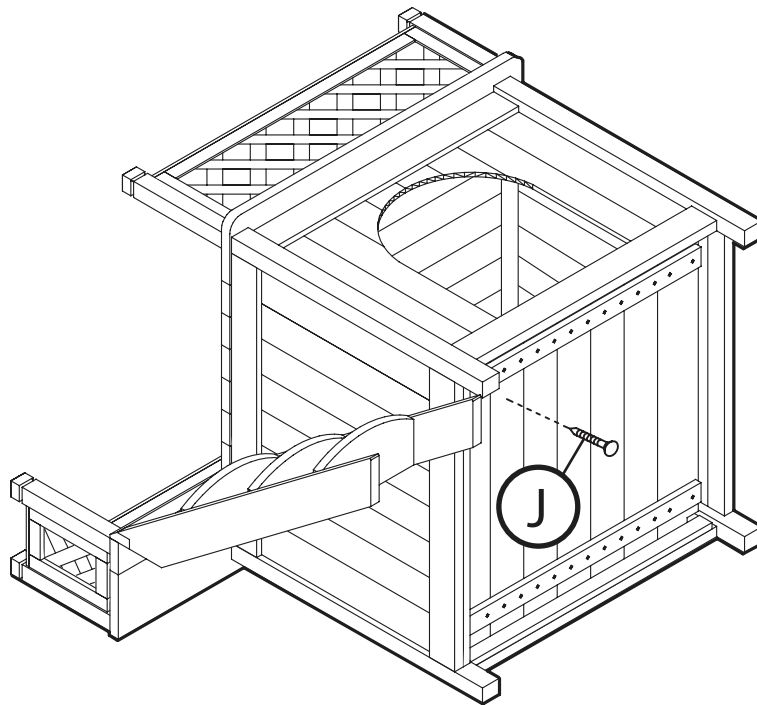
3



2



3



Please check contents before assembly. If any items are missing or damaged, do not take the unit back to the store. Call (775) 629-5029 or email: service@merryproducts.com for customer service and we will save you time by correcting any problems directly for you.

NOTE: Please read all instructions carefully before starting assembly. Also, we recommend that the unit is fully assembled on a level surface. Two people are recommended to assemble this product. DO NOT over torque screws and bolts.