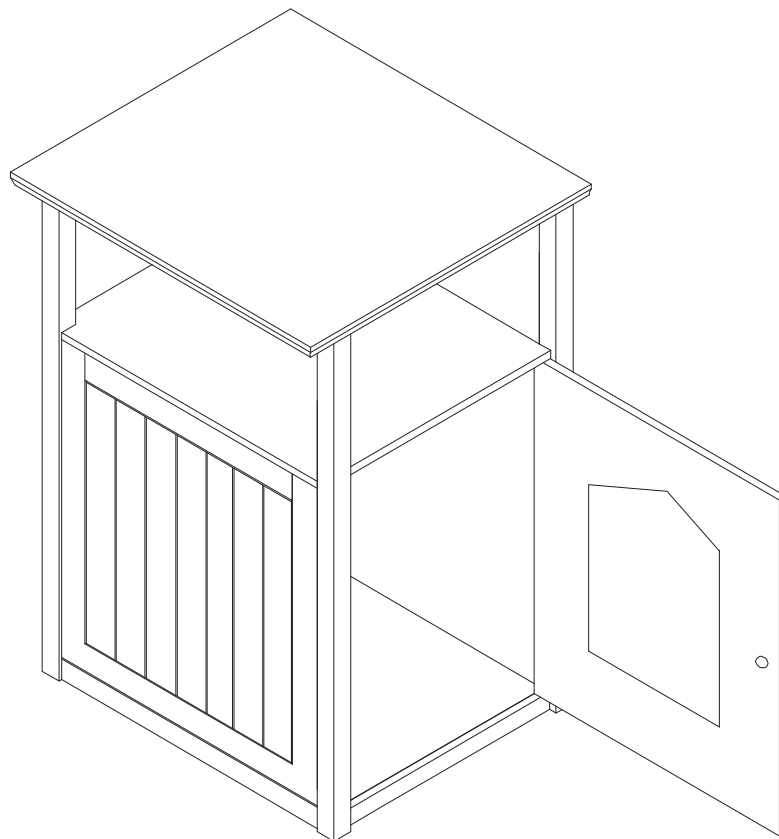


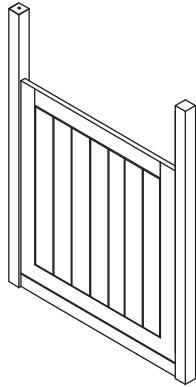
## CARE INSTRUCTIONS

Thank you for choosing MERRY PRODUCTS™ CAT WASHROOM. With a little care and maintenance, MERRY PRODUCTS™ CAT WASHROOM will provide your pet with comfort and enjoyment for many years to come!

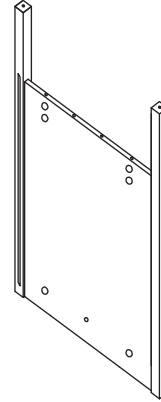
- To clean panels, use clean water on a damp cloth.
- When assembling MERRY PRODUCTS™ CAT WASHROOM, please handle all panels and/or hardware with care to avoid any possibilities of damages and/or injuries.



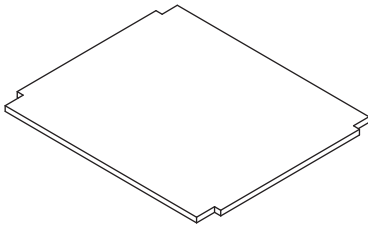
**NOTE:** Please read all instructions carefully before starting assembly. Also, we recommend that the unit is fully assembled on a level surface. Two people are recommended to assemble this product.



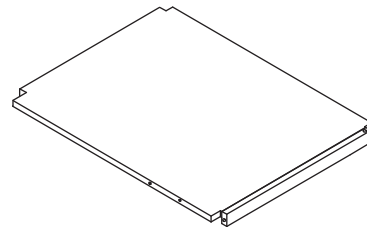
**A** LEFT PANEL X 1PC



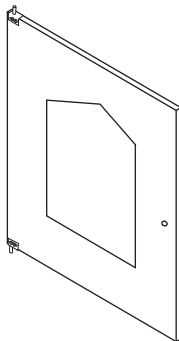
**B** RIGHT PANEL X 1PC



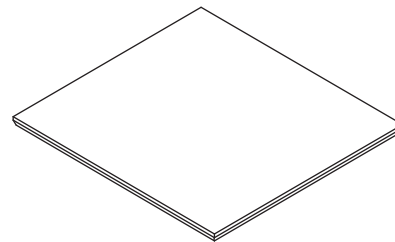
**C** SHELF PANEL X 1PC



**D** FLOOR PANEL X 1PC

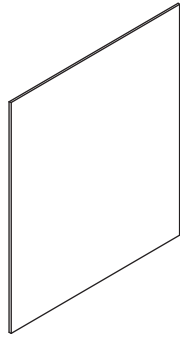


**E** DOOR PANEL X 1PC

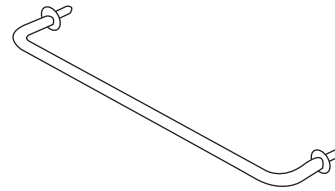


**F** TOP PANEL X 1PC

NOTE: Please read all instructions carefully before starting assembly.  
Also, we recommend that the unit is fully assembled on a level surface.  
Two people are recommended to assemble this product.

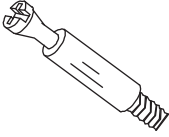


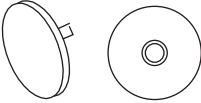
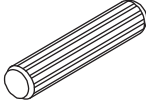
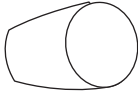
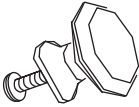
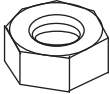



**G** BACK PANEL X 1PC




**H** TOWEL HANGER X 1PC

NOTE: Please read all instructions carefully before starting assembly.  
Also, we recommend that the unit is fully assembled on a level surface.  
Two people are recommended to assemble this product.

		
#1	LOCKING BOLT	12+1PCS
		
#2a	SMALL CAM	8 + 2 PCS
		
#2b	LARGE CAM	4 + 1 PCS
		
#3	SCREW COVER	12 +3PCS
		
#4	WOODEN DOWEL	4 PCS
		
#5	WOOD PLUG	4 PCS
		
#6	DOOR KNOB	1 PCS
		
#7	NUT	2 PCS
		
#8	WASHER	2 PCS

**TOOL REQUIRED**

 Phillips Screwdriver


*\* Power Tool NOT Recommended*



Insert threads of Locking Bolts completely, and stop once threads are no longer visible.

Do NOT overturn.

Reference this guide when assembling all Locking Bolts (Hardware #1).

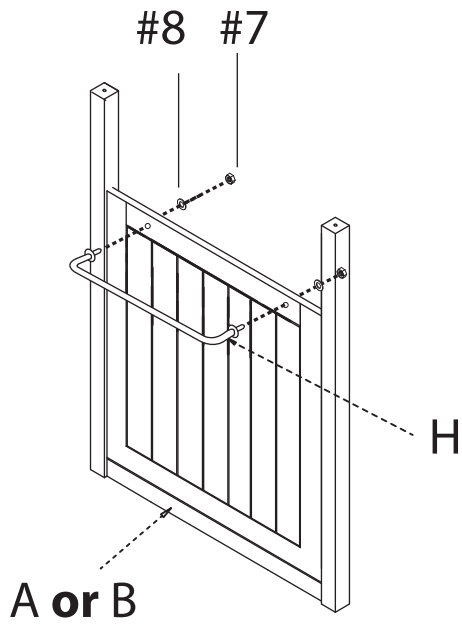


Only slight turn of Cams required.

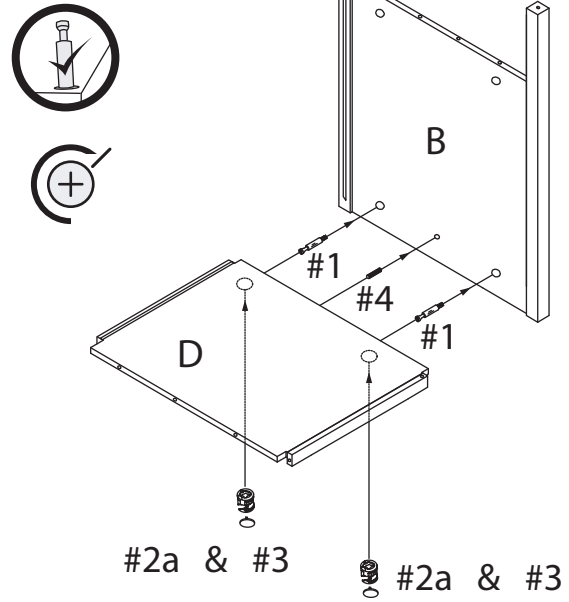
Do NOT overturn.

Reference this guide when assembling all Cam Locks (Hardware #2a & #2b).

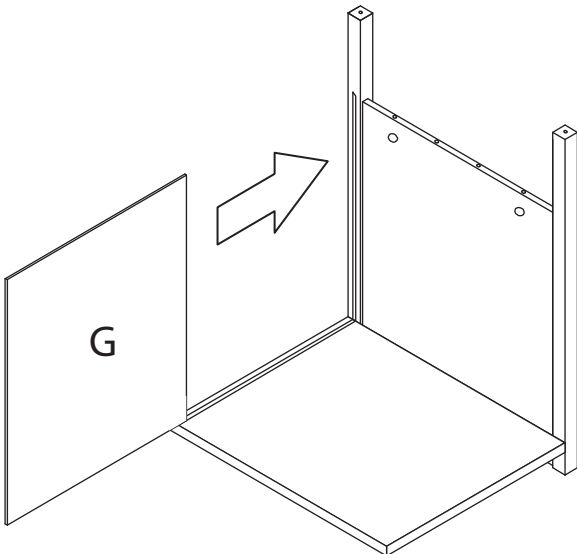
1



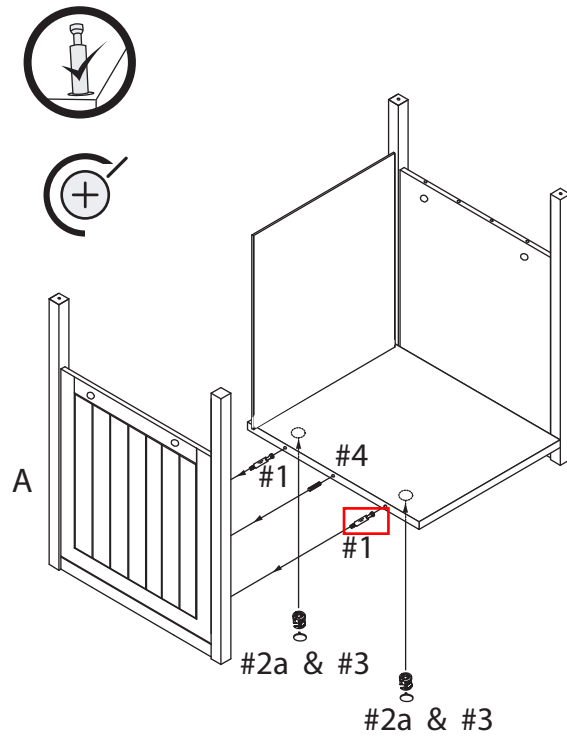
2



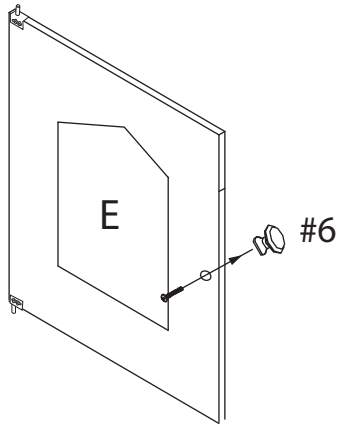
3



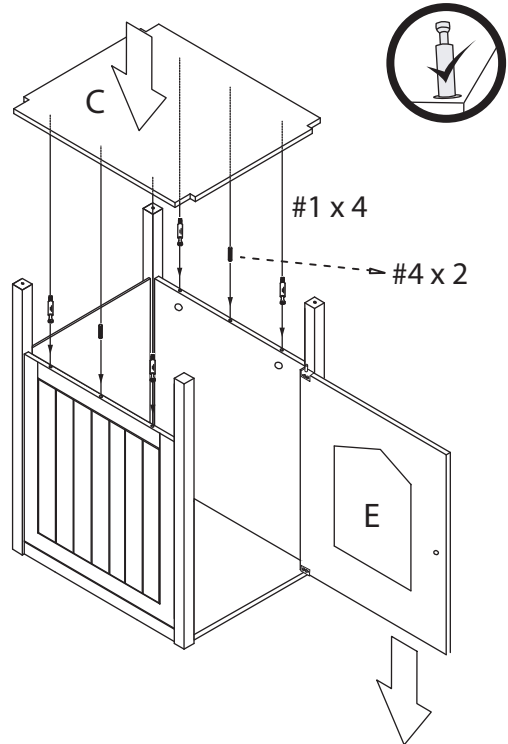
4



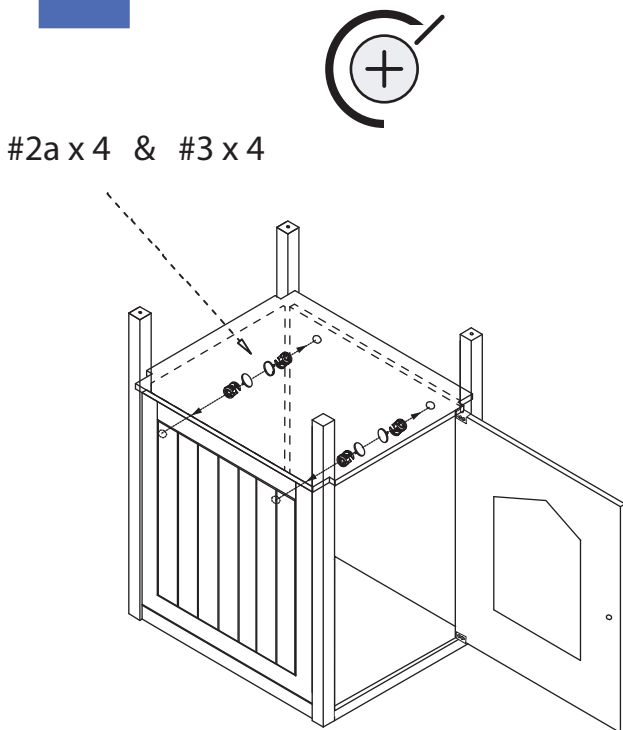
5



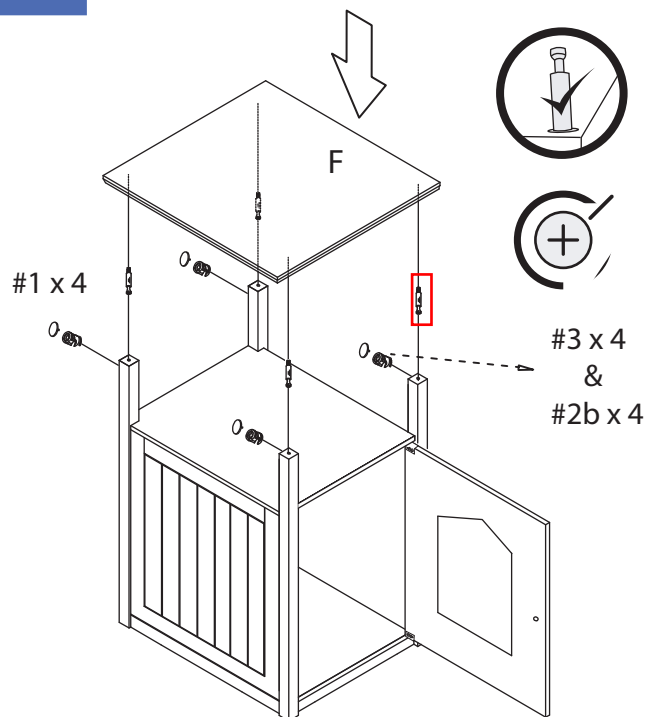
6



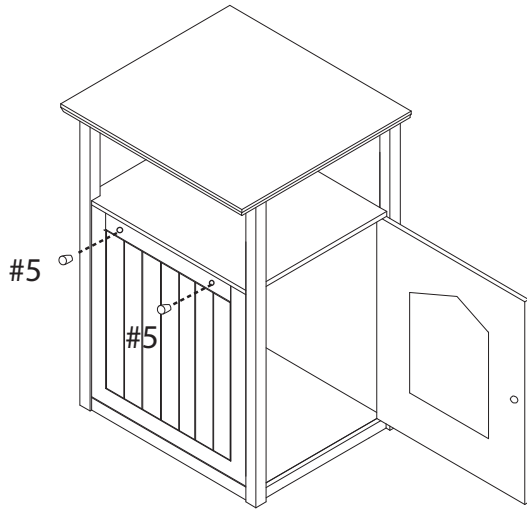
7



8



9



## TROUBLESHOOTING

### Step 1: Towel Hanger Options

The option is available to attach the Towel Hanger to the Right or Left Panel. If you decide to change this position in the future, remove the wood plugs and exchange sides. The wood plugs may be easily removed by tapping the back of the plugs with a screwdriver.

### Step 2: Assembly of Floor Panel

Ensure that the front lip on the floor panel is facing down.

### Step 3: Back Panel Does Not Slide Into Side and Floor Panels

There may be dust or debris preventing the back panels from easily sliding into place. Clear the pathway carefully using a thin object or tool.

### Step 9: Door Panel Catches on Floor Panel when being Opened or Closed

Use a screw driver to loosen the screws on the top hinge slightly. Once top hinge is loose, lift the bottom of the door slightly. Tighten back the screws on the top hinge.

Please check contents before assembly. If any items are missing or damaged, do not take the unit back to the store. Call (775) 629-5029 or email: [service@merryproducts.com](mailto:service@merryproducts.com) for customer service and we will save you time by correcting any problems directly for you.

NOTE: Please read all instructions carefully before starting assembly. Also, we recommend that the unit is fully assembled on a level surface. Two people are recommended to assemble this product.