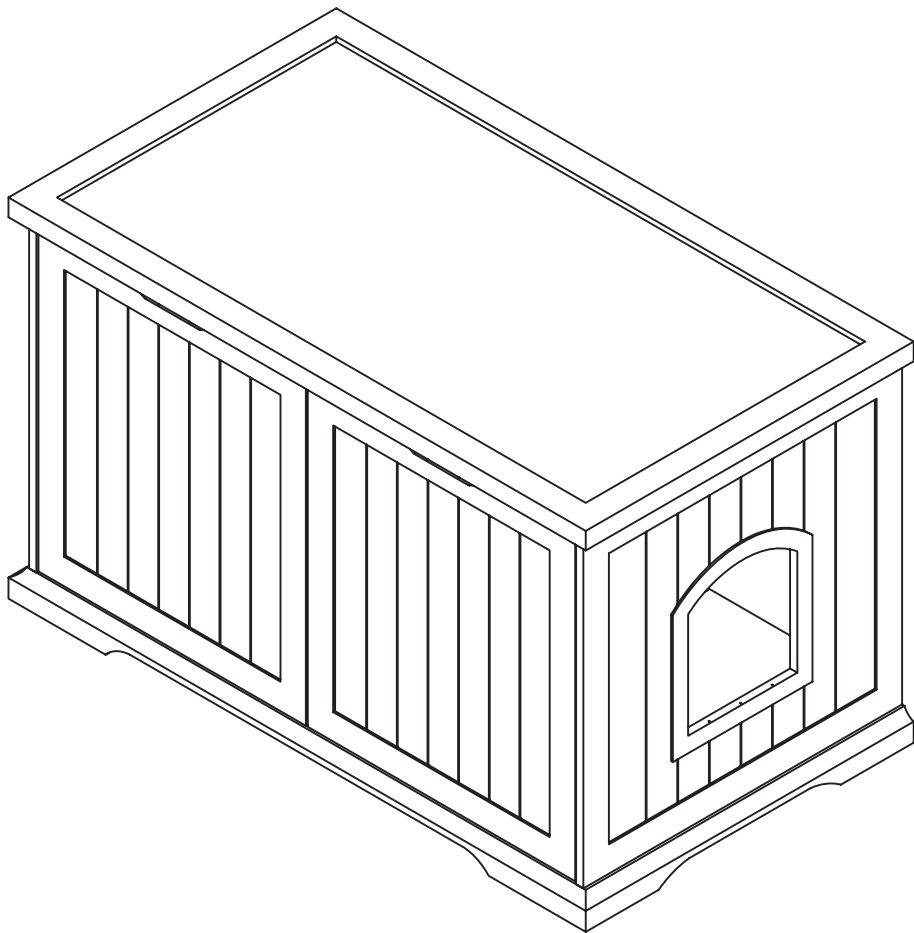


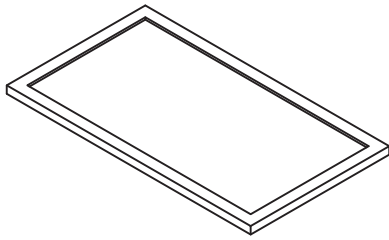
## CARE INSTRUCTIONS

Thank you for choosing ZOOVILLAS™ CAT WASHROOM BENCH. With a little care and maintenance, ZOOVILLAS™ CAT WASHROOM BENCH will provide your pet with comfort and enjoyment for many years to come!

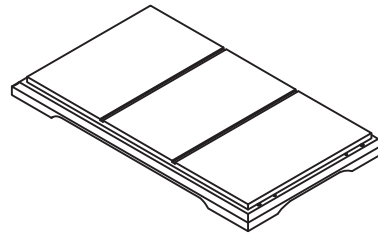
- To clean panels, use clean water on a damp cloth.
- When assembling ZOOVILLAS™ CAT WASHROOM BENCH, please handle all panels and/or hardware with care to avoid any possibilities of damages and/or injuries.



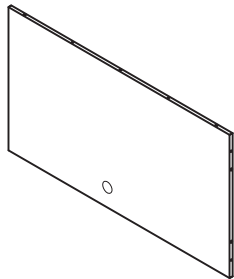
**NOTE:** Please read all instructions carefully before starting assembly. Also, we recommend that the unit is fully assembled on a level surface. Two people are recommended to assemble this product.



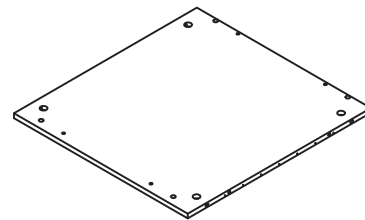
**A1** TOP PANEL 1PC



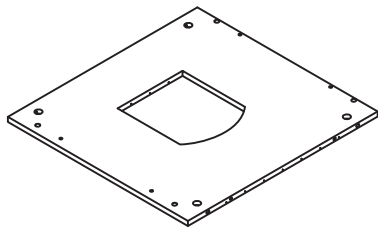
**A2** BOTTOM BOARD 1PC



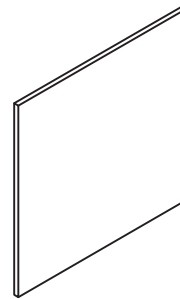
**B** BACK PANEL 1PC



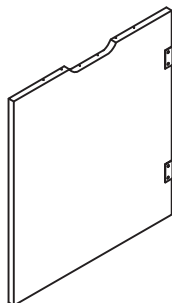
**C1** SIDE PANEL 1PC



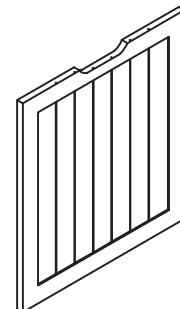
**C2** SIDE PANEL 1PC



**C3** DIVIDER 1PC


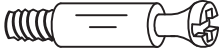





**D1** LEFT DOOR 1PC



**D2** RIGHT DOOR 1PC

NOTE: Please read all instructions carefully before starting assembly.  
Also, we recommend that the unit is fully assembled on a level surface.  
Two people are recommended to assemble this product.

|   |   |              |          |
|---|---|--------------|----------|
| I |    | CAM          | 18+1 PCS |
| J |    | LOCKING BOLT | 18+1 PCS |
| K |    | WOODEN DOWEL | 16+1 PCS |
| L |   | COVER        | 18+1 PCS |
| M |  | SCREW        | 8 +1PC   |

\* To ensure proper assembly we have included the following guides:







Insert threads of Locking Bolts completely, and stop once threads are no longer visible.

Do NOT overturn.


**TOOL REQUIRED**



Phillips Screwdriver



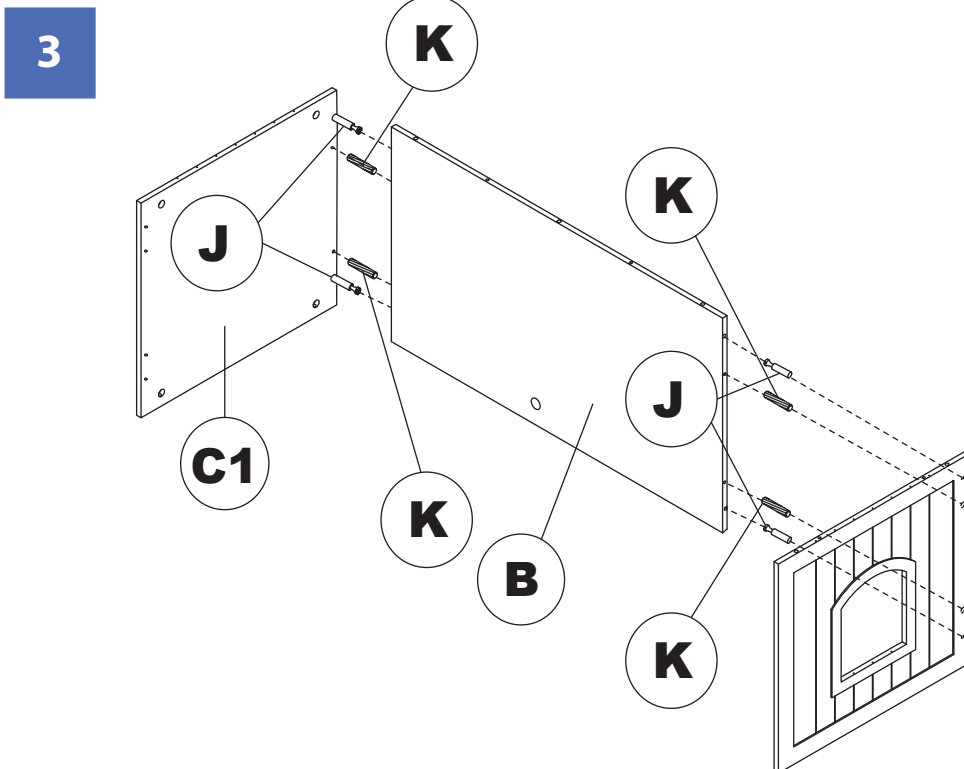
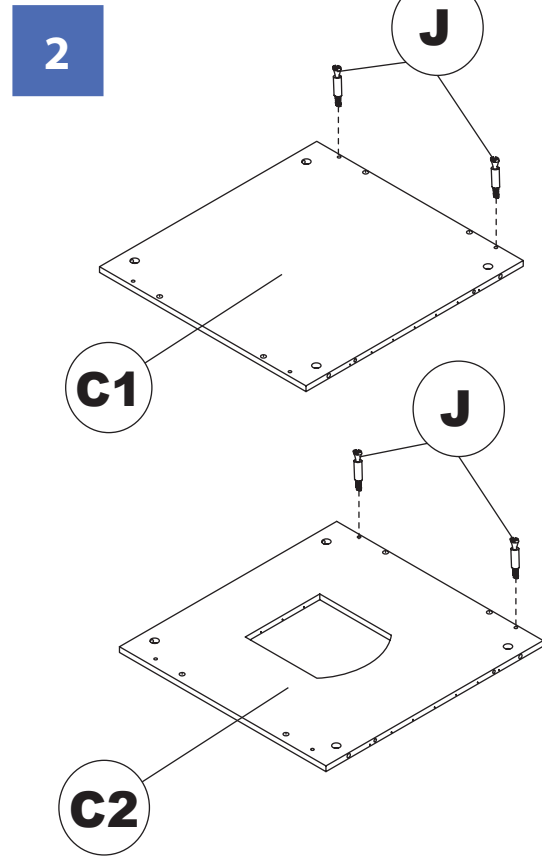
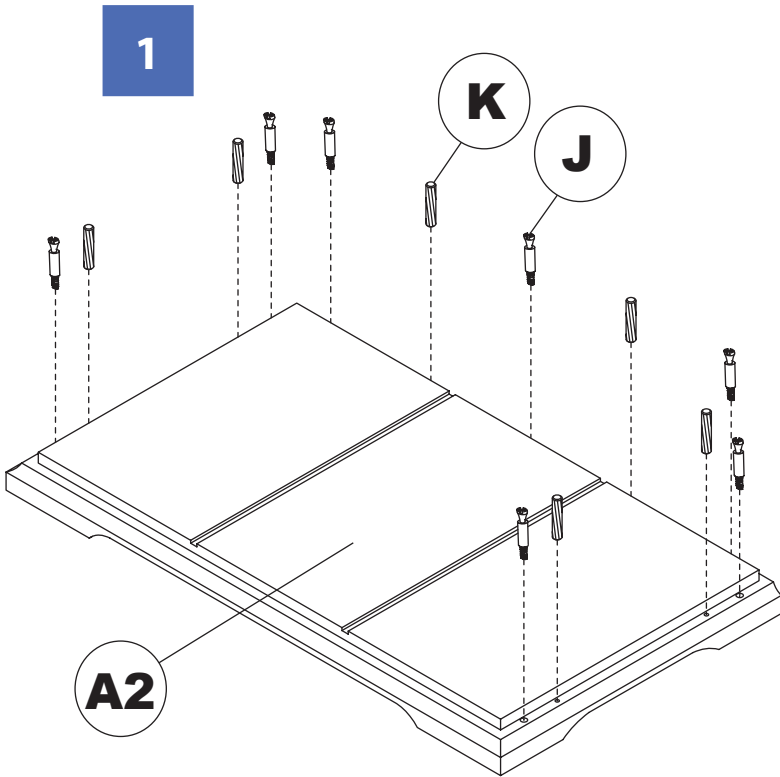
*\* Power Tool NOT Recommended*



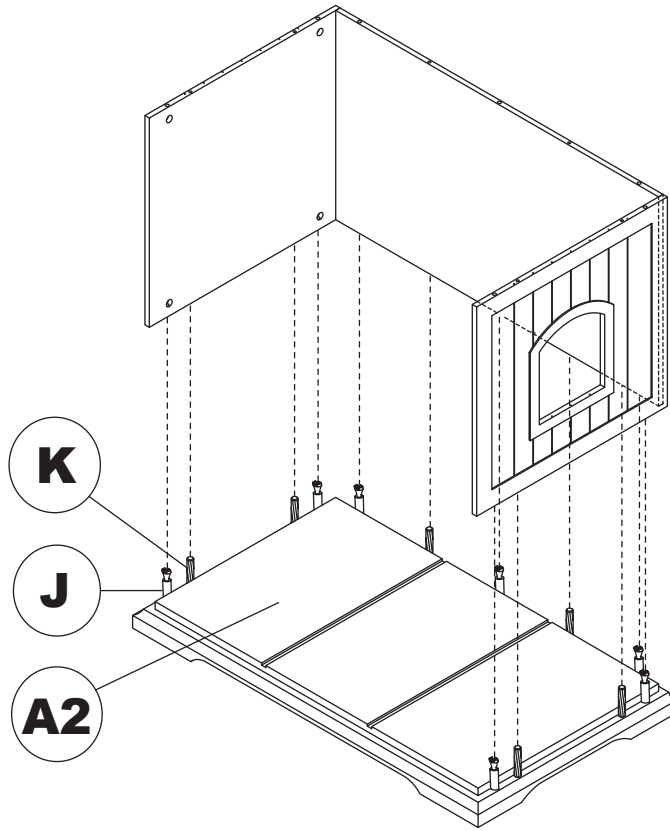
Only slight turn of Cams required.

Do NOT overturn.

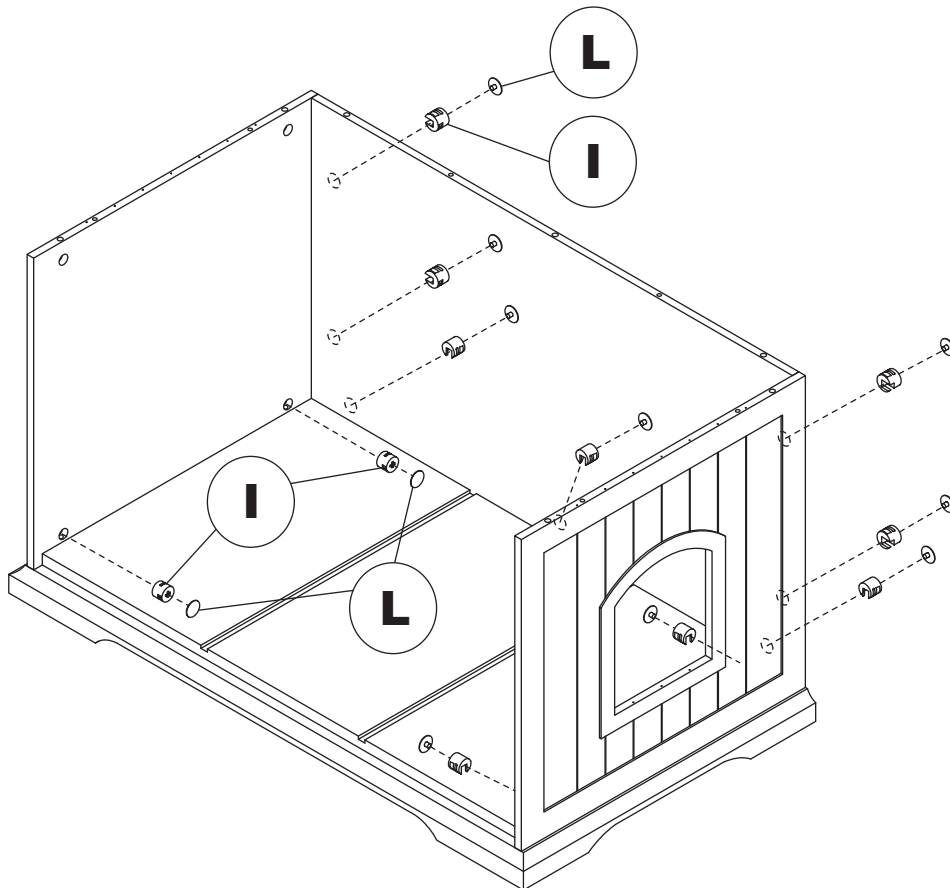
Reference this guide when assembling all Cam Locks (Hardware A+B).

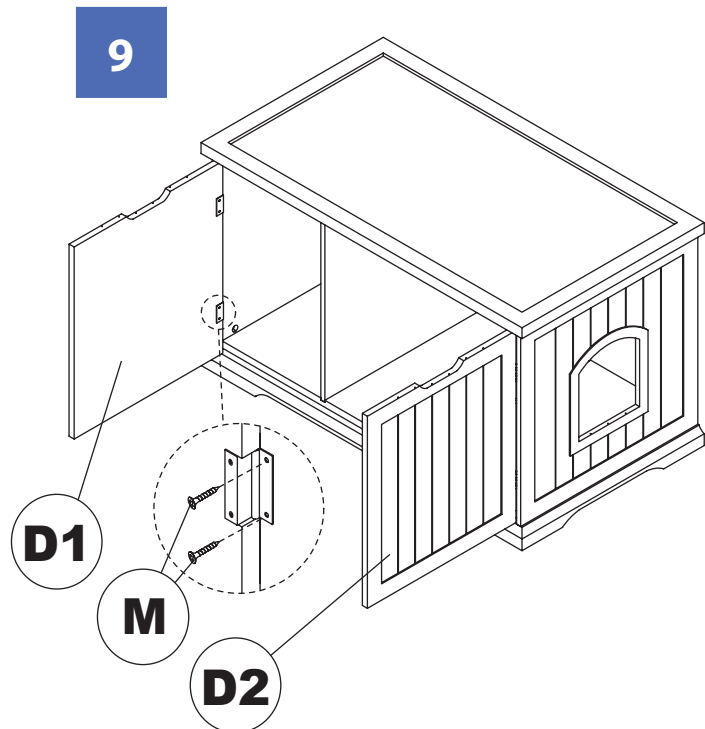
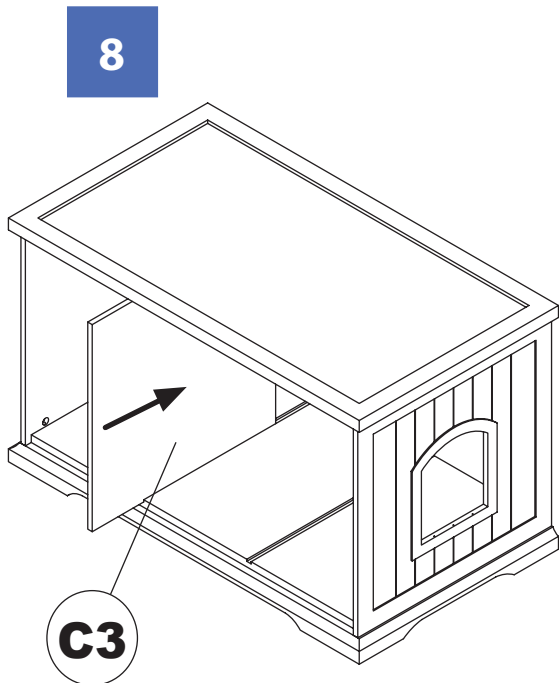
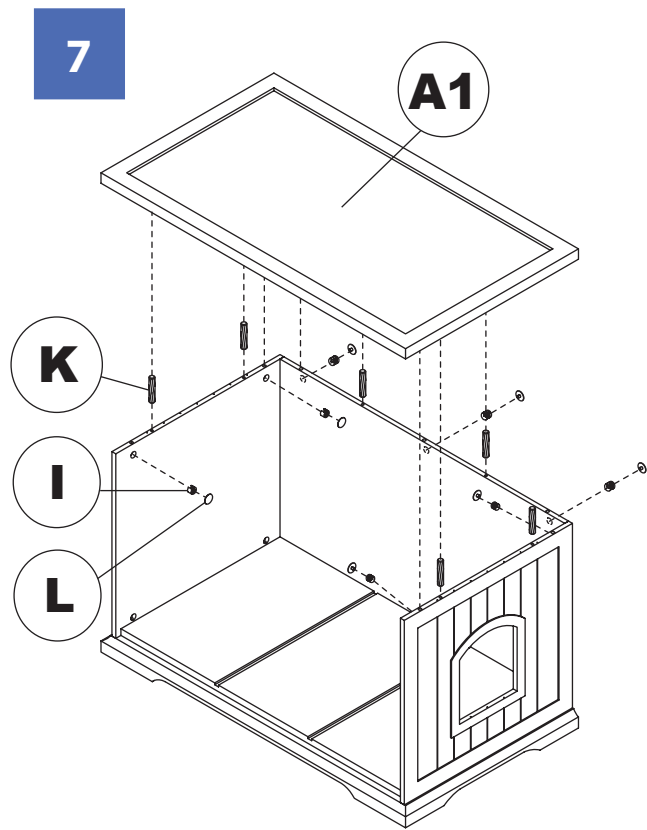
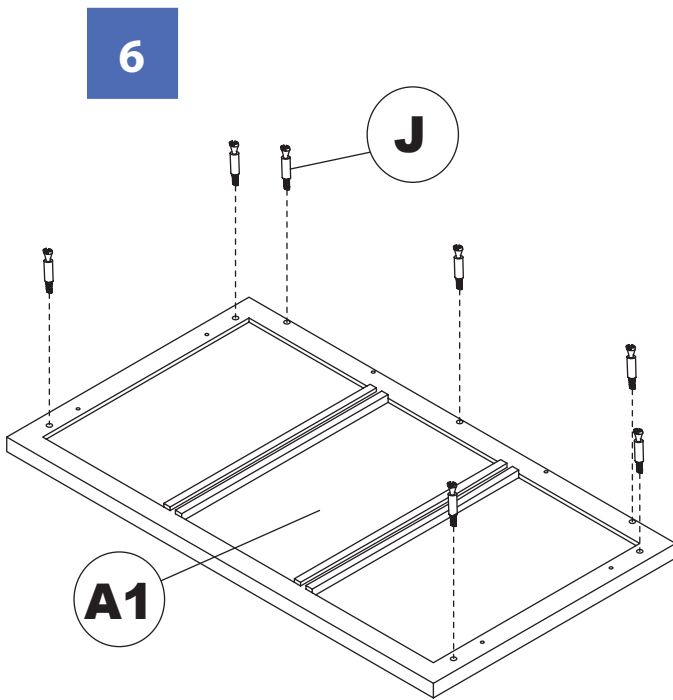


4



5





Please check contents before assembly. If any items are missing or damaged, do not take the unit back to the store. Call (775) 629-5029 or email: [service@merryproducts.com](mailto:service@merryproducts.com) for customer service and we will save you time by correcting any problems directly for you.

NOTE: Please read all instructions carefully before starting assembly. Also, we recommend that the unit is fully assembled on a level surface.