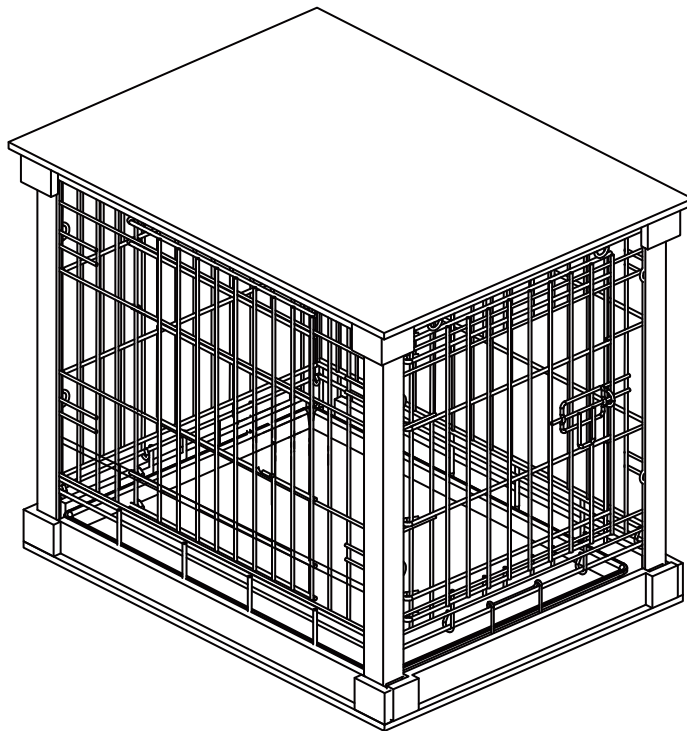


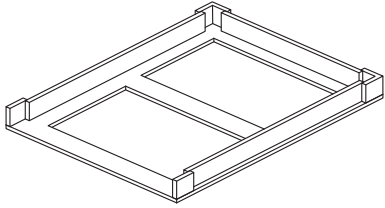
CARE INSTRUCTIONS

Thank you for choosing zoovilla WHITE CAGE WITH COVER. With little care and maintenance, zoovilla WHITE CAGE WITH COVER. will provide your pet with comfort and enjoyment for many years to come!

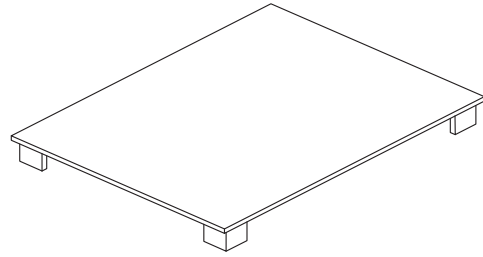
- To clean panels, use clean water on a damp cloth.
- When assembling zoovilla WHITE CAGE WITH COVER, please handle all panels and/or hardware with care to avoid any possibilities of damages and/or injuries.



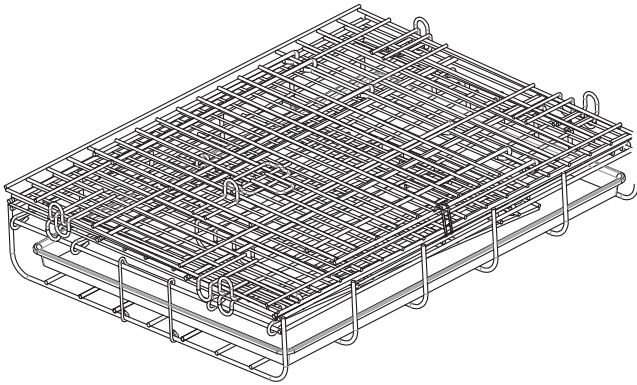
NOTE: Please read all instructions carefully before starting assembly. Also, we recommend that the unit is fully assembled on a level surface. Two people are recommended to assemble this product.



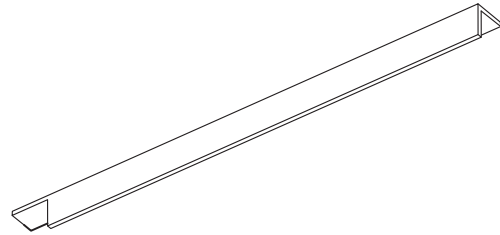
A BOTTOM COVER X 1PC



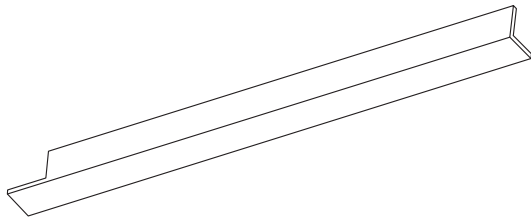
B TOP COVER X 1PC



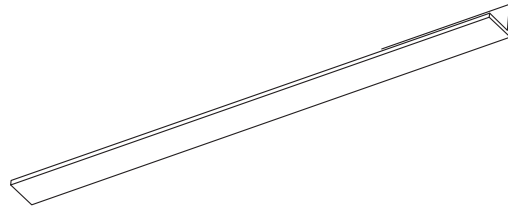
C CAGE X 1PC



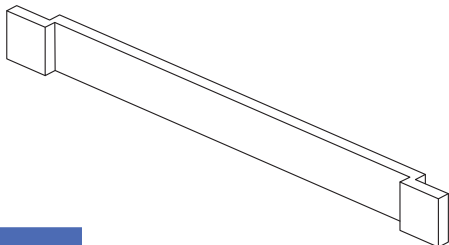
D FRONT LEFT LEG X 1PC



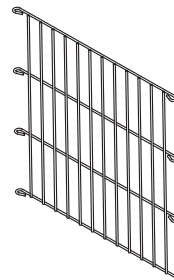
E FRONT RIGHT LEG X 1PC



F BACK LEGS X 2PCS



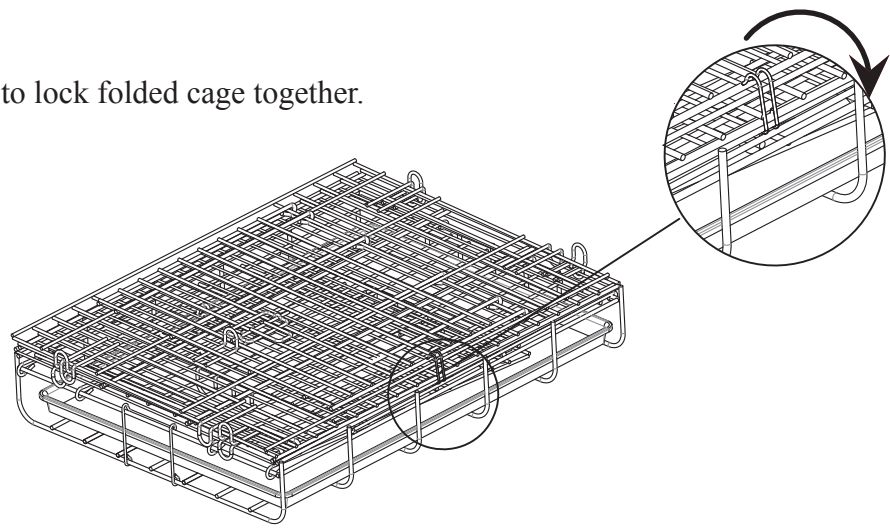
G FRONT COVER X 1PC



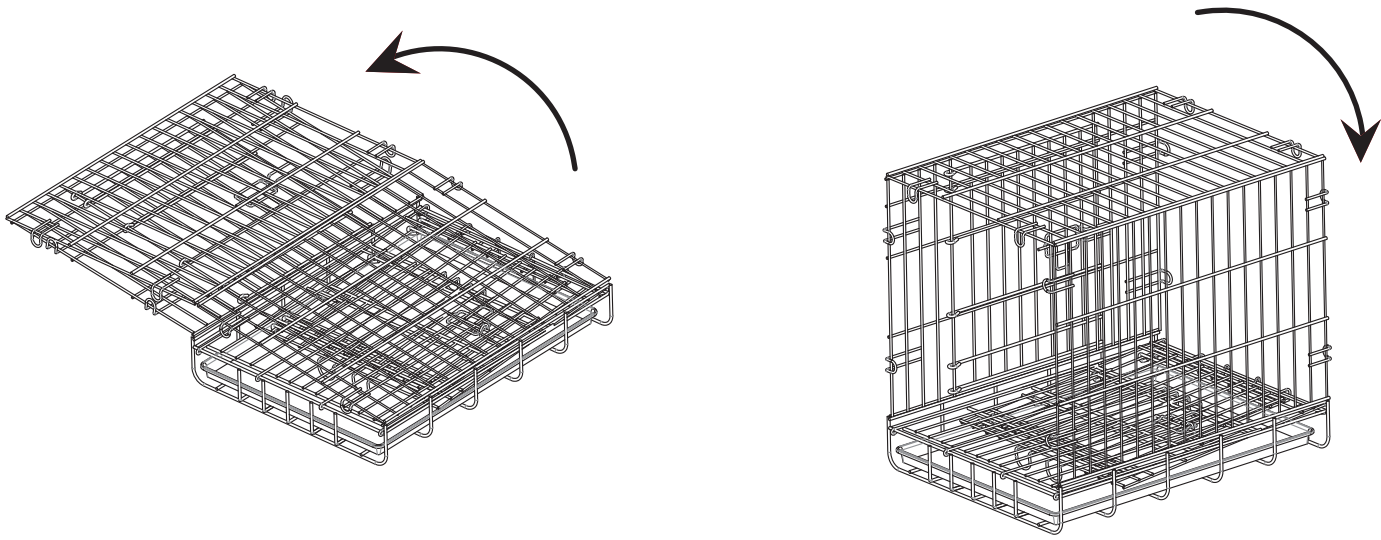
H CAGE DIVIDER X 1PC

NOTE: Please read all instructions carefully before starting assembly.
Also, we recommend that the unit is fully assembled on a level surface.
Two people are recommended to assemble this product.

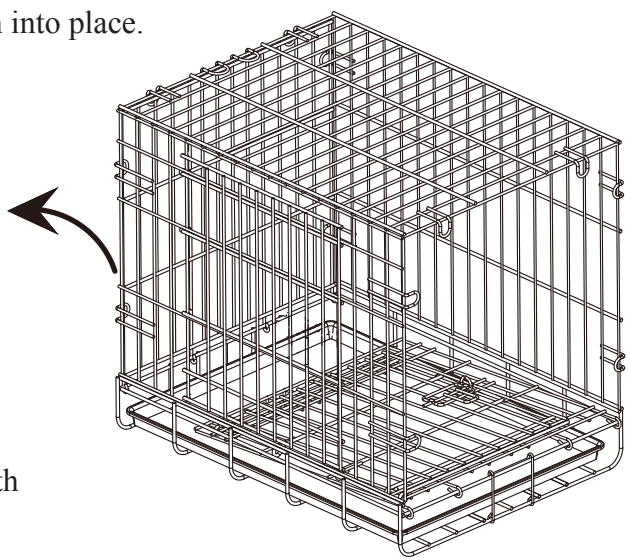
1 Unlatch hook used to lock folded cage together.



2 Unfold cage as shown below leaving front and back panels folded down



3 Unfold back panel and firmly push into place.

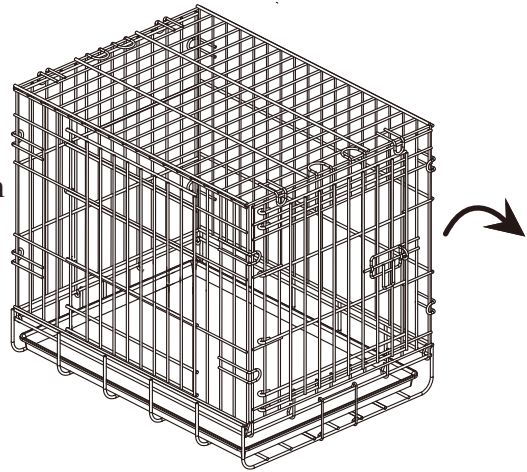


*Note. Ensure the back panel has locked underneath hooks on top and sides of cage.

4

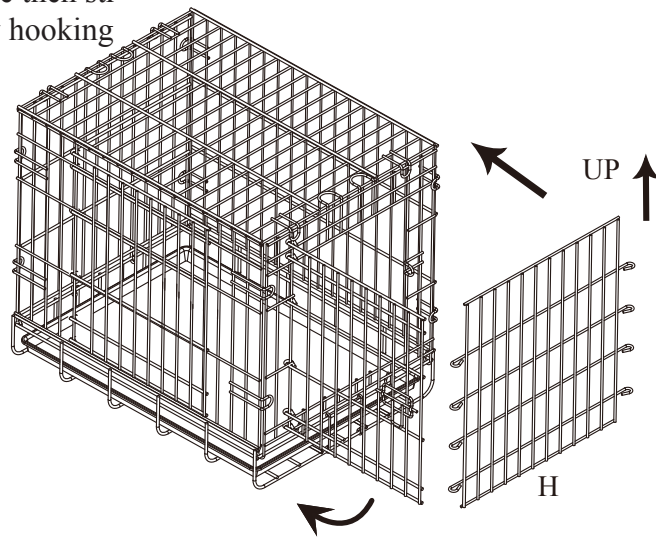
Unfold front panel and firmly pull into place.

*Note. Ensure the front panel has locked underneath hooks on top and sides of cage.



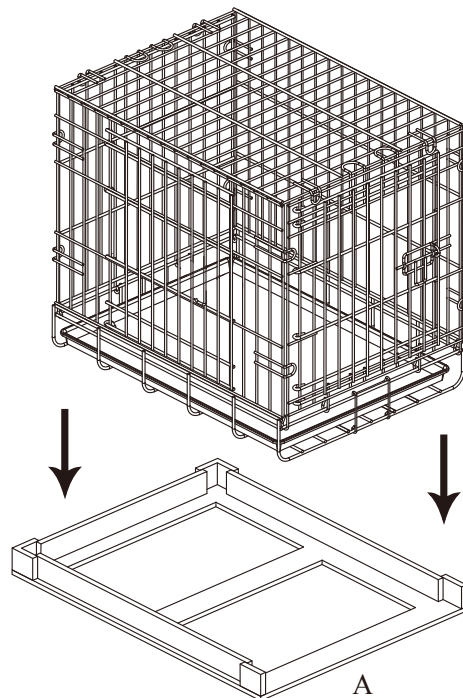
5

If using the separator, insert it on an angle then str at desired position and lock into place by hooking onto the sides.

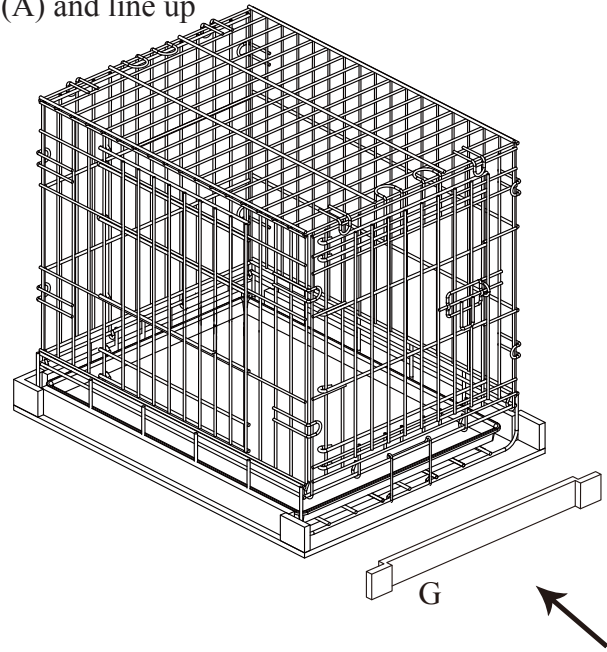


6

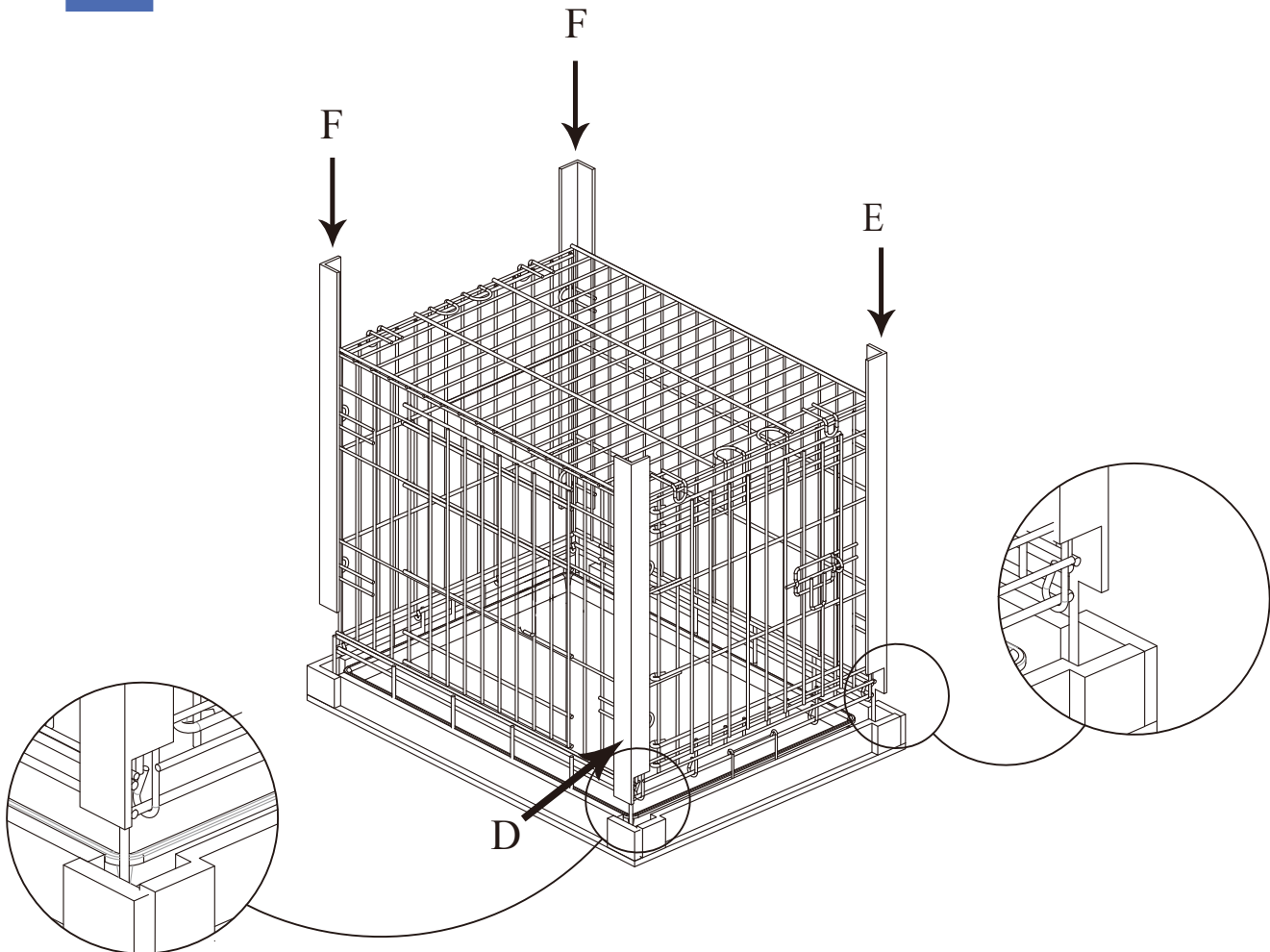
Lift cage and carefully place on Cover Bottom (A)



- 7** Place Front Cover (G) on Cover Bottom (A) and line up magnets.

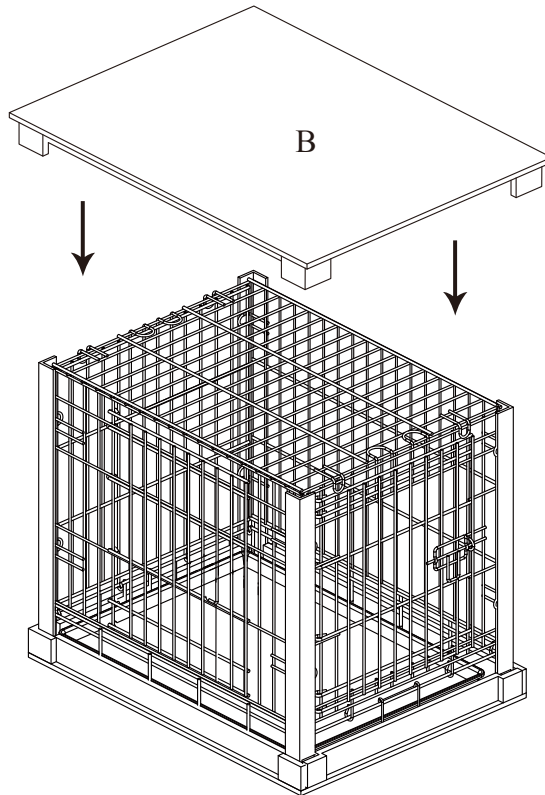


- 8** Insert pieces D (x1), E (x1) and F (x2) as shown below.



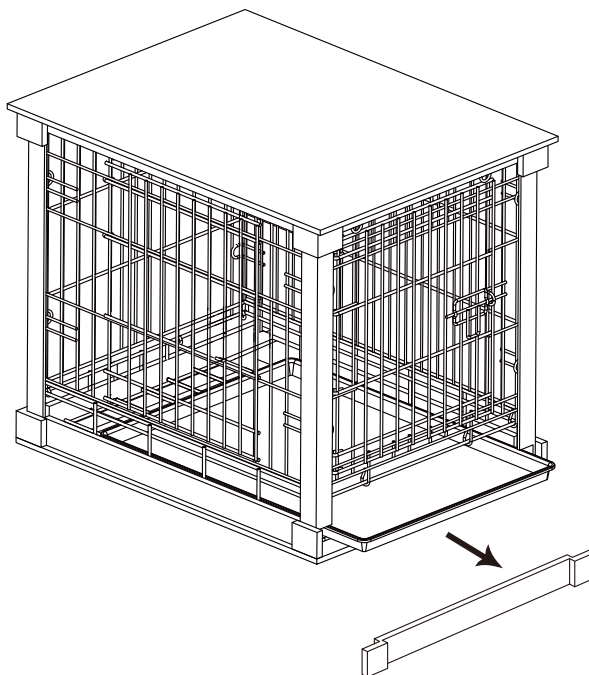
9

Guide Cover Top (B) onto unit aligning Front and Back Legs.



10

To quickly and easily remove tray, remove Front Cover (G) and slide tray out.



Please check contents before assembly. If any items are missing or damaged, do not take the unit back to the store. Call (775) 629-5029 or email: service@merryproducts.com for customer service and we will save you time by correcting any problems directly for you.

NOTE: Please read all instructions carefully before starting assembly. Also, we recommend that the unit is fully assembled on a level surface. Two people are recommended to assemble this product.