

 **WARNING**

For accurate structure and to avoid injury to yourself, your pet or your home please read care guides, books and research quality care outside of these instruction manuals. Contact a pet professional with any additional care questions.

For questions and inquiries please contact our customer service email: customerservice@pawsandpals.com

• **FOR PETS ONLY**

- Not intended to be used as a restraining device for aggressive or dangerous animals that dig, chew or paw aggressively.
- Do not leave your pet unattended.
- Pet gear is not liable for any damage caused by aggressive, destructive, immature or untrained animals.
Do not use near an open or exposed flame.
- Failure to follow these warnings and the instructions could result in serious injury or death.
- Always apply the brake whenever the stroller is stationary.
- Do not overload as stroller may become unstable; maximum weight capacity of pet using is 33 pounds.
- This stroller is designed for one pet only.
- Before making adjustments to stroller ensure that pet's body is clear of any moving parts.
- Do not hang bags from handles as this may cause the product to become unstable.
- Do not use on escalator or stairs; fold stroller and carry.
- Ensure stroller is completely erected and check that all locks are engaged before placing pet in stroller.

PAWS & PALS
just for them



PAWS & PALS
just for them

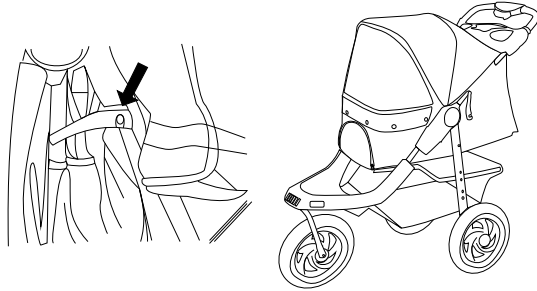
PAWS & PALS ©
LOS ANGELES, CA
213-986-8562
PAWSANDPALS.COM

DELUXE

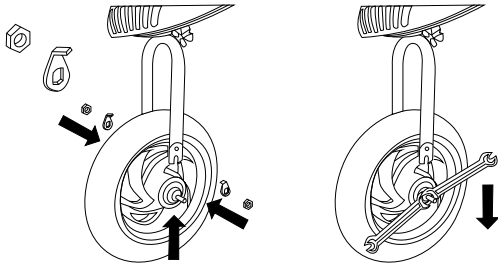
PET STROLLER
INSTRUCTIONAL MANUAL

COMPONENT INCLUDES

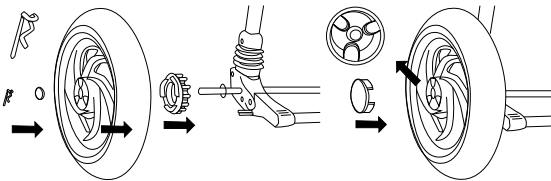
- HANDLE
- CUP HOLDER
- CANOPY
- STORAGE BASKET
- FOOT BOARD
- REAR WHEEL
- FRONT WHEEL



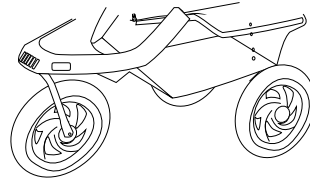
1. OPENING THE STROLLER: RELEASE THE FOLDING HOOK, LIFT THE HANDLEBAR, UNFOLD THE STROLLER AND LOCK IN BOTH JOINTS.



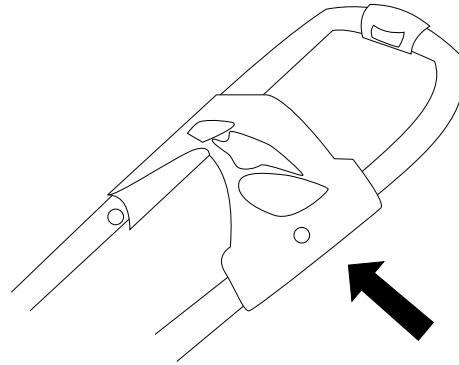
2. INSTALLING THE FRONT WHEEL: FIX THE WHEEL AXLE POSITION AT U TUBE GROOVE AND ATTACH HOOK-SHAPED GASKET. TIGHTEN THE NUTS ON BOTH SIDES. MAKE SURE THE GASKET IS TIGHTENED BY THE TWO NUTS.



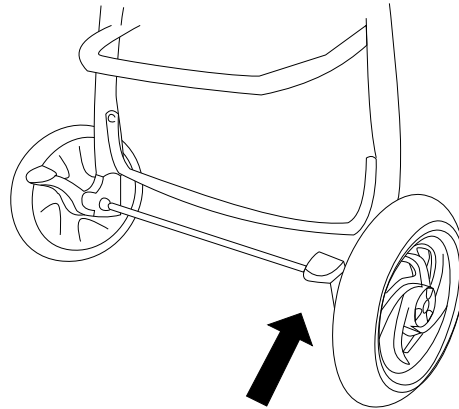
3. INSTALLING THE REAR WHEEL: INSERT THE AIDED TOOTH ONTO THE AXLE, THEN , ATTACH THE WHEEL AND, GASKET. INSERT THE CLIP PIN THROUGH THE HOLE ON THE AXLE, THEN COVER THE WHEEL CAP.



4. ATTACH THE FOOTBOARD TO THE BOTTOM OF THE STROLLER AND TIGHTEN THE SCREWS.



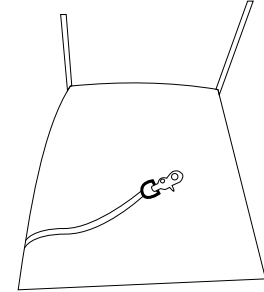
5. AIM AT THE STAKE ON THE HANDLE TUBE AND AFFIX THE CUP HOLDER.



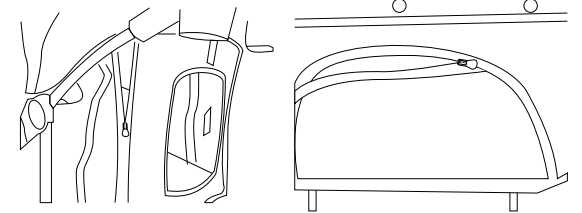
6. TO STEP THE BRAKE POLE DOWN TO STOP THE STROLLER, AND LIFT IT UP TO RELEASE THE BRAKE.

CLEANING AND MAINTENANCE

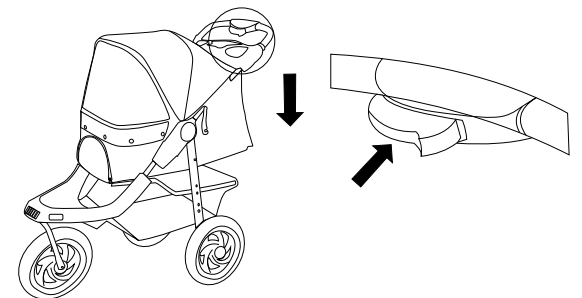
- UNSNAP BUTTON ON STROLLER
- TAKE APART THE CANOPY
- REMOVE THE CUSHION
- WIPE STROLLERS GENTLY



7. FASTEN THE SAFETY LEASH WITH THE PET COLLAR.



8. UNZIP THE MESH TO OPEN THE WINDOW.



9. FOLDING THE STROLLER: UNZIP THE CANOPY WINDOW, THEN PRESS THE FOLDING BUTTON AS ARROW DIRECTION TO FOLD THE STROLLER AND FASTEN THE FOLDING HOOK.