

TOOLS NEEDED:

(1) PHILLIPS HEAD
SCREW DRIVER



(1) WRENCH



COMPONENTS INCLUDES:

- HANDLE
- CUP HOLDER
- CANOPY
- STORAGE BASKET
- FOOT BOARD
- REAR WHEEL
- FRONT WHEEL

CLEANING AND MAINTENANCE:

STEP 1: UNSNAP BUTTON ON STROLLER

STEP 2: TAKE APART THE CANOPY

STEP 3: REMOVE THE CUSHION

STEP 4: WIPE STROLLERS GENTLY



WARNING

For accurate structure and to avoid injury to yourself, your pet or your home please read care guides, books and research quality care outside of these instruction manuals. Contact a pet professional with any additional care questions.

For questions and inquiries please contact our customer service email: customerservice@pawsandpals.com

- FOR PETS ONLY
- Not intended to be used as a restraining device for aggressive or dangerous animals that dig, chew or paw aggressively.
- Do not leave your pet unattended.
- Paws & Pals® is not liable for any damage caused by aggressive, destructive, immature or untrained animals.
- Do not use near an open or exposed flame.
- Failure to follow these warnings and the instructions could result in serious injury or death.
- Always apply the brake whenever the stroller is stationary.
- Do not overload as stroller may become unstable; maximum weight capacity is 33 pounds.
- This stroller is designed for one pet only.
- Before making adjustments to stroller ensure that your pet's body is clear of any moving parts.
- Do not hang bags from handles as this may cause the product to become unstable.
- Do not use on escalator or stairs; fold stroller and carry.
- Ensure stroller is completely erected and check that all locks are engaged before placing pet in stroller.



-pet travel- DELUXE STROLLER

INSTRUCTION MANUAL



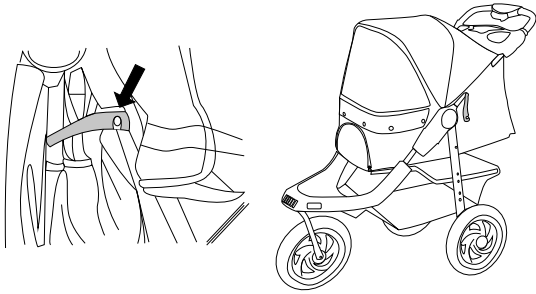
PAWS & PALS®
LOS ANGELES, CA
PAWSANDPALS.COM

FOR CATS & DOGS

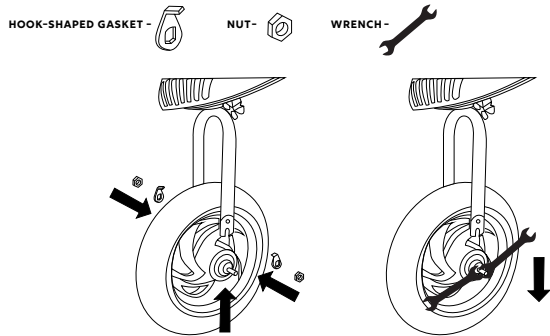
MAX WEIGHT: 33 LBS.



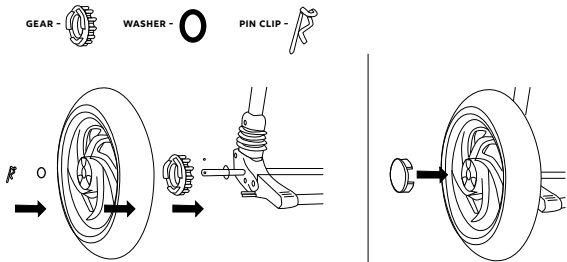
1. OPENING THE STROLLER: Release the storage hook, lift the handlebar, unfold the stroller and lock in both joints.



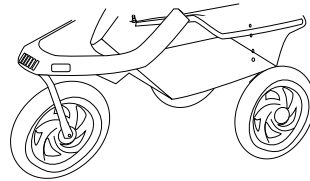
2. INSTALLING THE FRONT WHEEL: Place the wheel axle at U tube groove and attach hook-shaped gasket. Use wrench to tighten the nuts on both sides. Make sure the gasket is tightened by the two nuts.



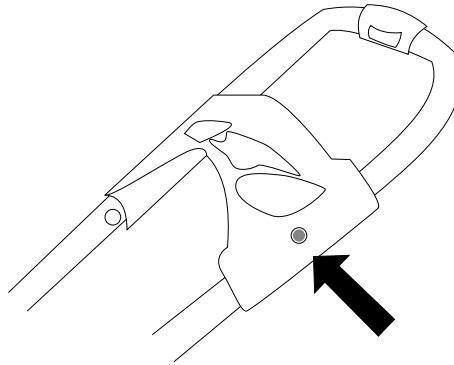
3. INSTALLING THE REAR WHEELS: Insert the gear onto the axle, then, place the wheel and washer onto axle. Insert the pin clip through the hole on the axle, after finishing the above then cover with the wheel cap. Repeat on the other side.



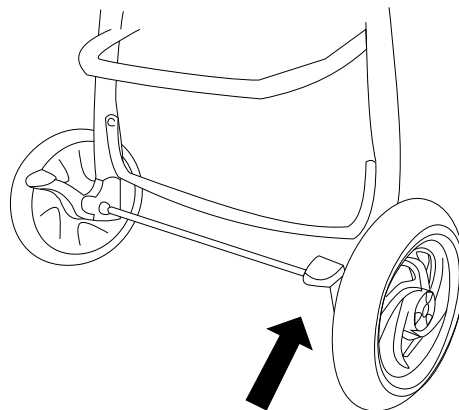
4. INSTALLING THE FOOTBOARD: Align the footboard to the holes at the bottom of the stroller and tighten the screws with a phillips head screw driver.



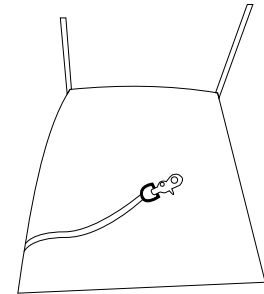
5. CUP HOLDER: Align the cup holder with the fixtures on the side of the handle tube - Firmly pull both sides over until it snaps into place.



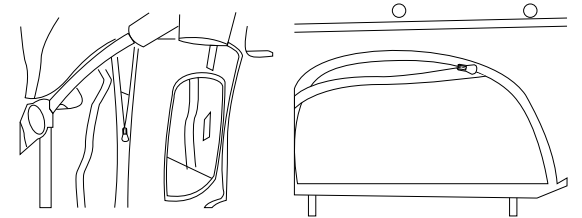
6. OPERATING BREAKS: Step on the brake bar to stop the stroller, and lift it up to release the brake.



7. EXTRA SAFETY FEATURE: Fasten the safety leash to pet's harness or collar.



8. OPENING WINDOWS OR ENTRANCE POINTS: Unzip the mesh to open the window or entrance and zip up to secure pet.



9. FOLDING THE STROLLER: Unzip the canopy window, then press the folding button as towards you to fold the stroller and fasten the storage hook.

