

Table of Contents

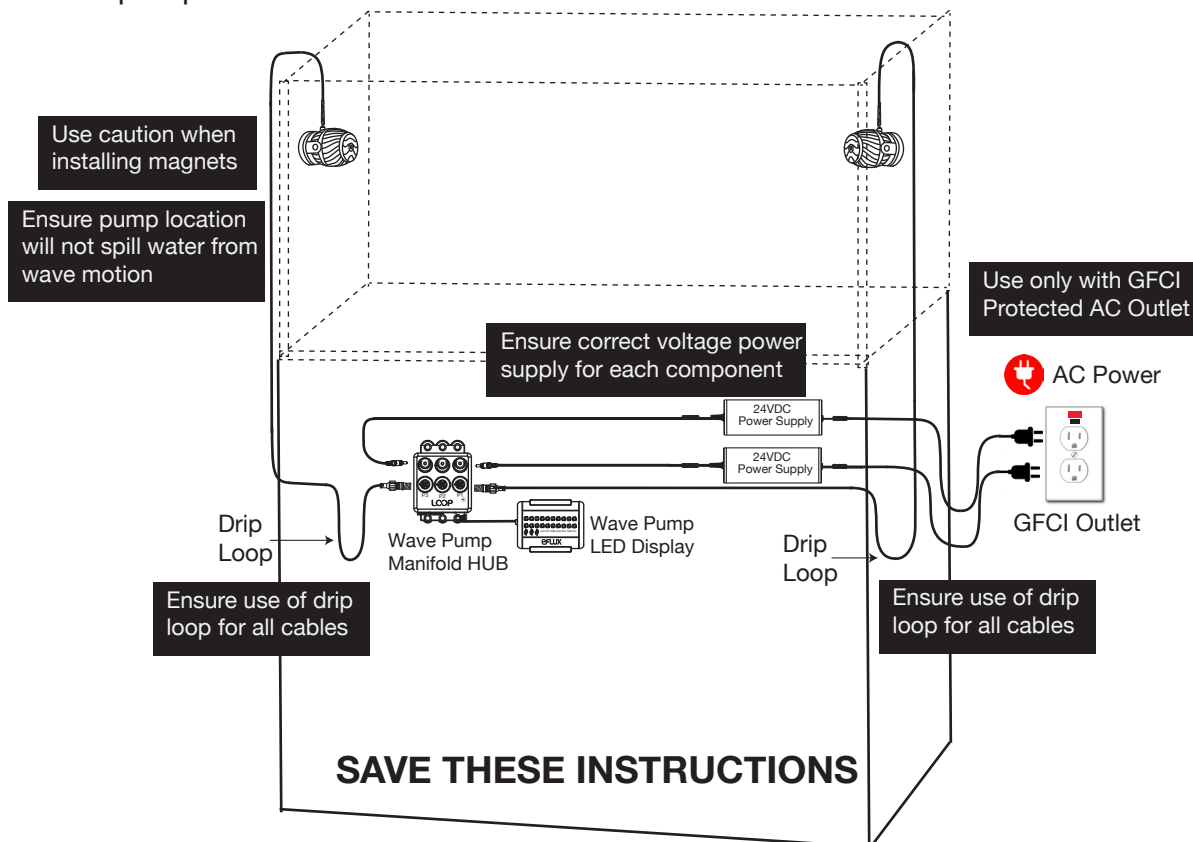
Safety Instructions & Warnings	1
What's Included & Installation	2
eFlux Wave Pump Installation	3
Warranty & Safety Warnings	4

Thank You!
For purchasing our eFlux Wave pump.
Please read all instructions before
getting in the LOOP!

Safety Instructions & Warnings

IMPORTANT: Please refer to additional safety warnings on last page.

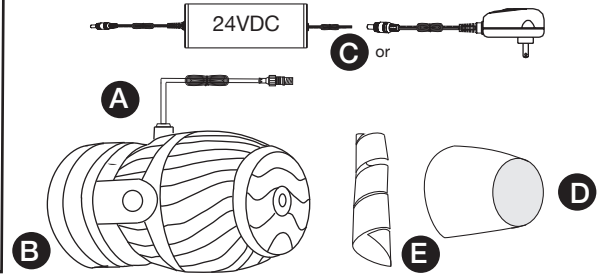
- eFlux wave pumps create a tremendous amount of water flow. Do not install pump where the strong current can harm corals or animals.
- Do not install pump too close to the sand bed where it will not stir/suck the sand.
- Pumps can also produce powerful waves in both wave and surge mode. Ensure your aquarium is designed for wave pumps and ensure pumps are mounted low enough not to push water out of the aquarium.
- Magnet mounting assembly is very powerful. Be cautious not to cause injury to fingers.
- Keep out of reach of children.
- Never place magnets or pump near sensitive electronics, sharp objects or attractive surfaces.
- Never run wave pump dry or out of water.
- Always place spacer between magnets when not in use.
- Always unplug with dry hands for any maintenance or service.
- eFlux wave pumps are 24VDC. Ensure one 24VDC UL® transformer is used per wave pump.
- Ensure 24VDC UL® transformer is plugged into a GFCI approved outlet with a drip loop.
- Turn controller OFF and disconnect pump from power before performing any service
- Ensure eFlux wave pumps and any accessories all have a drip loop installed before plugging into the wave pump manifold HUB as shown below.



NOTE: eFLUX Accessory Wave Pumps are a LOOP Add-on and MUST be used with an existing LOOP compatible controller and manifold HUB.

Each eFlux Accessory Wave Pump includes:

Item	Description	Quantity
A	eFlux Accessory Wave Pump	1
B	Magnet Swivel Bracket Assembly (pre-installed)	1
C	24V DC Transformer, UL® Listed	1
D	Wave Pump Prefilter	1
E	Pump Cable Wrapping	1

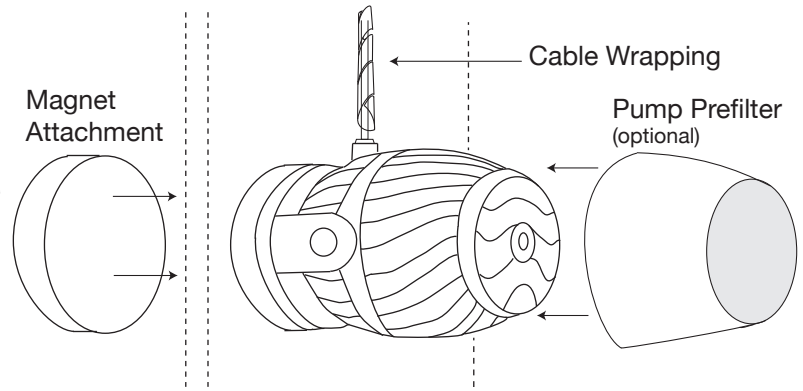


Installation - READ SAFETY WARNINGS BEFORE INSTALLATION

Step 1. Ensure all components are unpacked, unwrap cords and ensure there is no damage.

Step 2. Choose a mounting location inside the aquarium vertical wall for your pump. Clean location of any dirt, algae or calcium deposits.

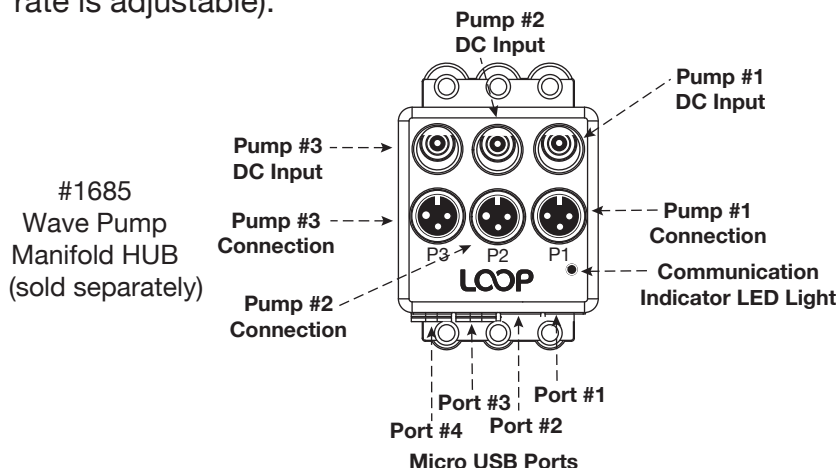
Step 3. Install cable wrapping around wave pump cable. This protects the pump cable from triggerfish, urchins and other animals that may damage pump cable. Place pump prefilter over pump end.



Step 4. Carefully separate magnet from pump and place pump into position in tank. Attach pump to tank using magnet. Swivel and adjust pump as desired.

Connecting Accessory Wave Pump to Wave Pump Manifold HUB

Step 5. Determine which pump connection port on the Wave Pump Manifold HUB (sold separately) you wish to plug wave pump into. Wave pump connection ports #1 & #2 are multi-mode flow controllable. Pump connection port #3 is for wave pumps running in stream mode ONLY (only flow rate is adjustable).



Specifications:

Wave Pump DC Inputs:
 Voltage: 24VDC
 Max. DC Input per channel: 72w@24VDC
 Max. DC Output per channel: 60w@24VDC

Pump Connections:

P1=Pump #1 (Primary Wave Pump)
 P2=Pump #2 (Secondary Wave Pump)
 P3=Pump #3 (Flow Mode Wave Pump Only)

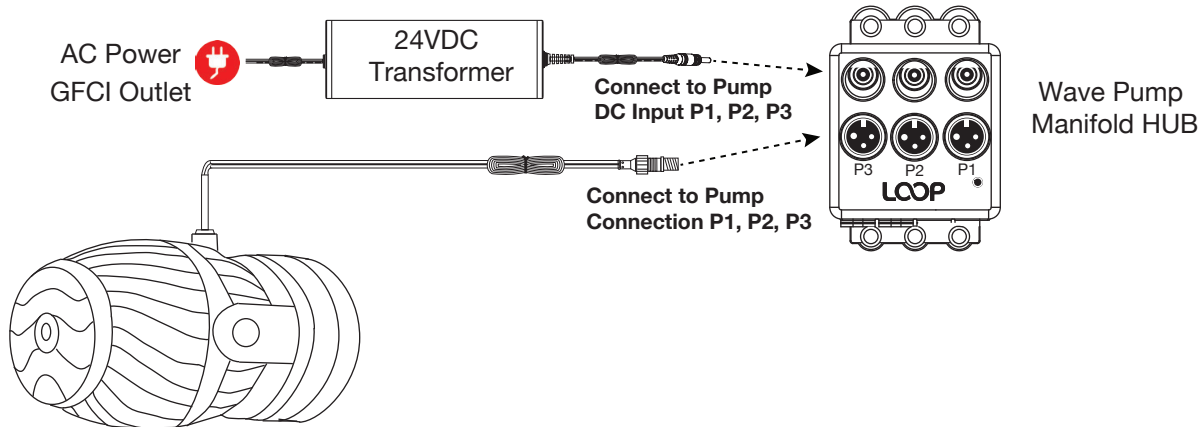
Micro USB Ports:

Port #1= Communications
 Port #2= Wave Pump LED Display
 Port #3= Communications
 Port #4= Communications

Installation

Step 6. Plug accessory wave pump into desired pump connection port on wave pump manifold HUB, ensuring a drip loop is in place.

Step 7. Plug DC transformer into matching pump DC input on wave pump manifold HUB, ensuring drip loop is in place.



Step 8. Follow instructions in Orbit IC manual or eFlux wave pump manual to adjust flow mode and flow rate on wave pump.

Maintenance and Service

**** Always turn wave pump OFF and disconnect DC power when servicing. Unplug and disconnect wave pump from wave pump manifold HUB and disconnect DC power when servicing ****

As your wave pumps continually run in your reef aquarium, it is best to ensure they are cleaned every 3-6 months to ensure the pump runs at optimal speed. High levels of calcium and minerals can often create calcium deposits on the impeller, shortening the lifespan and causing excessive noise and/or lead to failure.

To clean:

1. Turn power off to pump, disconnect both the wave pump and DC input from the wave pump manifold HUB.
2. Carefully disassemble the wave pump from the swivel bracket and twisted the front casing of the pump off the main pump and place in a small container. BE CAREFUL - the impeller is made of ceramic and is breakable. Orings are all quite small, so ensure to keep all components in the small container.
3. Create a cleaning solution consisting of a 1:1 mixture of freshwater and white vinegar. Pour solution into container and allow it to soak overnight. (Ensure connection end of pump is kept dry.)
4. Carefully re-assemble pump, rinse under freshwater and re-install into your aquarium.

Safety Warnings and Warranty

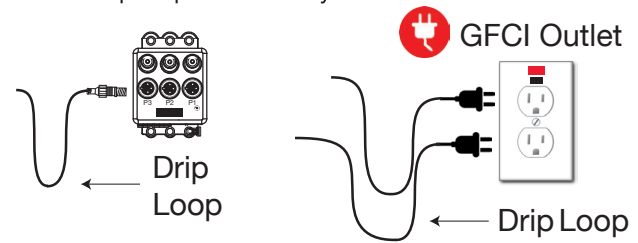
IMPORTANT WARNINGS | SAVE THESE INSTRUCTIONS

This is NOT a page of legalese. It contains important safety information that you should read and save for future reference. Remember you can always quickly access instructions for all our products at www.current-usa.com.

- Never attempt repairs yourself; return the appliance to an authorized service facility for service or discard the appliance.
- Carefully examine the fixture after installation and BEFORE you plug it into the GFCI wall outlet. Be sure there is no water on any part of the light fixture or the timer.
- Never plug in a wet cord. If a plugged in unit or socket does get wet, DON'T touch it. Instead, promptly disconnect the fuse or circuit breaker that supplies power to the fixture. Then, you may unplug the fixture and examine for the presence of water.
- Never operate a fixture that is damaged or malfunctioning, discontinue use immediately and return the appliance to an authorized service facility.
- Close supervision is necessary when any appliance is used by or near children.
- Always unplug the fixture when not in use, before putting on or taking off parts, and before cleaning. Never pull the cord to unplug from the GFCI.
- Do not use the fixture for anything other than intended use. The use of attachments not recommended or sold by the fixture manufacturer may cause an unsafe condition and will void your warranty.
- Do not install or store the fixture where it will be exposed to the weather or to temperatures below 0° Celsius or 32° Fahrenheit.
- Do not operate at temperatures above 50° Celsius or 122° Fahrenheit.
- Ensure the fixture is securely installed before supplying power to the unit.
- Read and observe all the important notices and warnings on the fixture and power cord. DO NOT REMOVE THE WARNING LABEL.
- If an extension cord is necessary, a cord with a rating at least 15 amperes should be used. A cord rated for less amperes or watts than the fixture rating may overheat. Care should be taken to arrange the cord so that it will not be tripped over or pulled.
- Do not look directly into the LEDs.
- Do not install pumps where strong currents can harm animals. Do not install close to sand bed where it can suck/stir sand.
- Pumps can produce powerful wave action in both wave and surge modes. Ensure your aquarium is designed for wave pumps and ensure pumps are mounted low enough not to push water out of the aquarium tank.
- Magnet assembly is VERY powerful. Be cautious not to cause injury to fingers.
- Keep magnets and all accessories out of reach of children.
- Never place magnets or pump near sensitive electronics, sharp objects or other attractive surfaces.
- Do not run pumps dry or out of water.
- Always place spacer between magnets when not in use.
- Always unplug with dry hands for maintenance or servicing.
- Turn all controllers OFF and disconnect power supply before performing any service or maintenance.
- This product MUST be powered by a UL or ETL listed power supply.
- To avoid possible electric shock, power supply MUST be plugged into a GFCI wall outlet installed by a certified electrician in accordance with all local codes. All products must have a drip loop.

Important Warnings | Drip Loops

Drip Loops should always be used to help prevent water from traveling along the cord and coming into contact with an electrical outlet. Drip loops must always be below the level of the outlet.



Current-USA One Year Limited Warranty

This product **MUST** be purchased from an authorized Current-USA reseller. Visit our website for a list of unauthorized resellers. Current USA, Inc. warrants this product against defects in materials and workmanship for **ONE (1) YEAR** from the date of original retail purchase and is none transferable.

Warranty on all Products, including Aquariums, is limited to replacement of the product and does not cover fish loss, personal injury, property loss or direct, incidental or consequential damage arising from the use of this product.

Note: Current-USA, Inc. One-Year Limited Warranty does not cover damage caused by the following: improper installation, saltwater corrosion, electrical surges, or modifications.

If you discover a defect, please see your retail store or point of purchase. Current USA, Inc. will, at its option, repair or replace the product at no charge to you, provided you return it during the warranty period. A copy of the bill of sale is required as proof of original purchase date in the event the product needs repairs within the warranty period. Please see your dealer for return options and warranty replacement parts. This warranty applies only to products by or for Current USA, Inc. that can be identified by trade name, or logo affixed to them. Current-USA, Inc. does not warrant any products that are not Current-USA, Inc..

This warranty does not apply if the product has been damaged by accident, abuse, misuse or misapplication or if the product has been modified without the written permission of Current-USA, Inc.; or if any Current-USA, Inc. logos have been removed or defaced.

THE WARRANTY AND REMEDIES SET FORTH ABOVE ARE EXCLUSIVE AND IN LIEU OF ALL OTHERS, WHETHER ORAL OR WRITTEN, EXPRESSED OR IMPLIED CURRENT USA, INC. SPECIFICALLY DISCLAIMS ANY AND ALL IMPLIED WARRANTIES INCLUDING BUT NOT LIMITED TO LOST PROFITS, DOWNTIME, GOODWILL, DAMAGE TO OR REPLACEMENT OF EQUIPMENT AND PROPERTY, AND ANY COSTS OF RECOVERING ANIMALS, PLANTS, TANKS OR OTHER AQUARIUM RELATED ITEMS AND/OR EQUIPMENT. CURRENT USA, INC. IS NOT RESPONSIBLE FOR SPECIAL, INCIDENTAL, OR CONSEQUENTIAL DAMAGES RESULTING FROM ANY BREACH OF WARRANTY, OR REPLACEMENT OF EQUIPMENT OR PROPERTY, OR ANY COSTS OF RECOVERING OR REPRODUCING ANY EQUIPMENT, ANIMALS OR PLANTS USED OR GROWN WITH CURRENT USA, INC. PRODUCTS. Some jurisdictions do not allow the exclusion or limitation of incidental or consequential damages or exclusions of implied warranties, so the above limitations or exclusions may not apply to you. This warranty gives you specific legal rights, and you may also have other rights that vary from jurisdiction to jurisdiction.