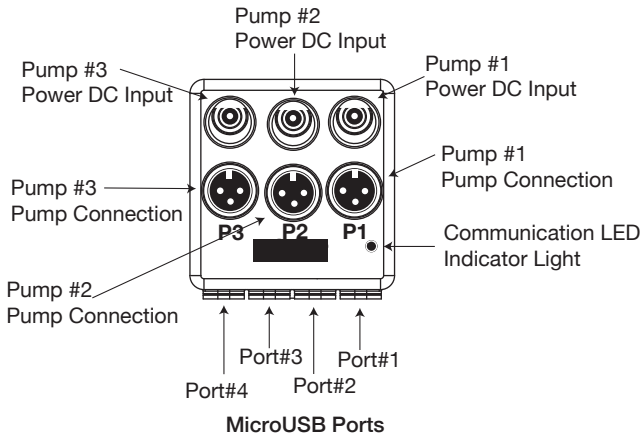


Wave Pump Manifold Installation

Before installation, read ALL SAFETY INSTRUCTIONS & WARNINGS

Important: This product MUST be connected to an Orbit IC Lighting HUB or LOOP controlled HUB for operation. Before connecting all of the components together, please review the following specifications in regards to the Wave Pump Manifold HUB and appropriate connections:

Wave Pump Manifold HUB



Specifications:

Pump DC Inputs:
 Voltage: 24VDC
 Max. DC Input per Channel: 72w@24VDC
 Max. DC Output per Channel: 60w@24VDC

Pump Connections:

P1 Pump#1= Main/Primary Wave Pump
 P2 Pump#2= Secondary (Gyre) Wave Pump
 P3 Pump#3= Steady/Stream Wave Pump**
 Note: Pump#3 ONLY operates in steady/stream mode

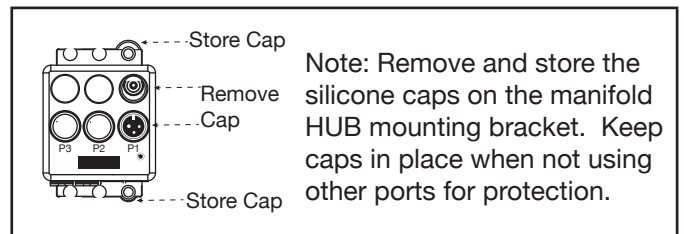
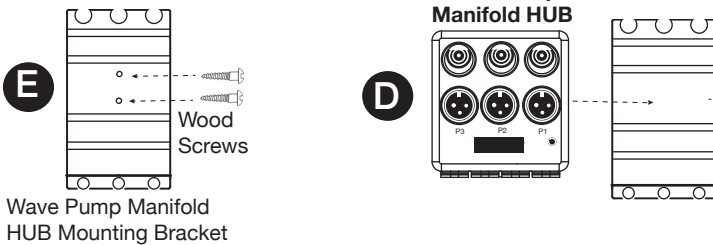
Micro USB Ports:

Port#1= Communications
 Port#2= Wave Pump LED Display Only
 Port#3= Communications
 Port#4= Communications

INSTALLING WAVE PUMP MANIFOLD HUB

Step 1. Choose a location underneath your aquarium cabinet free of excessive moisture and/or saltwater creep. Ensure location is 2"-4" from the LOOP IC controller or other LOOP HUB.

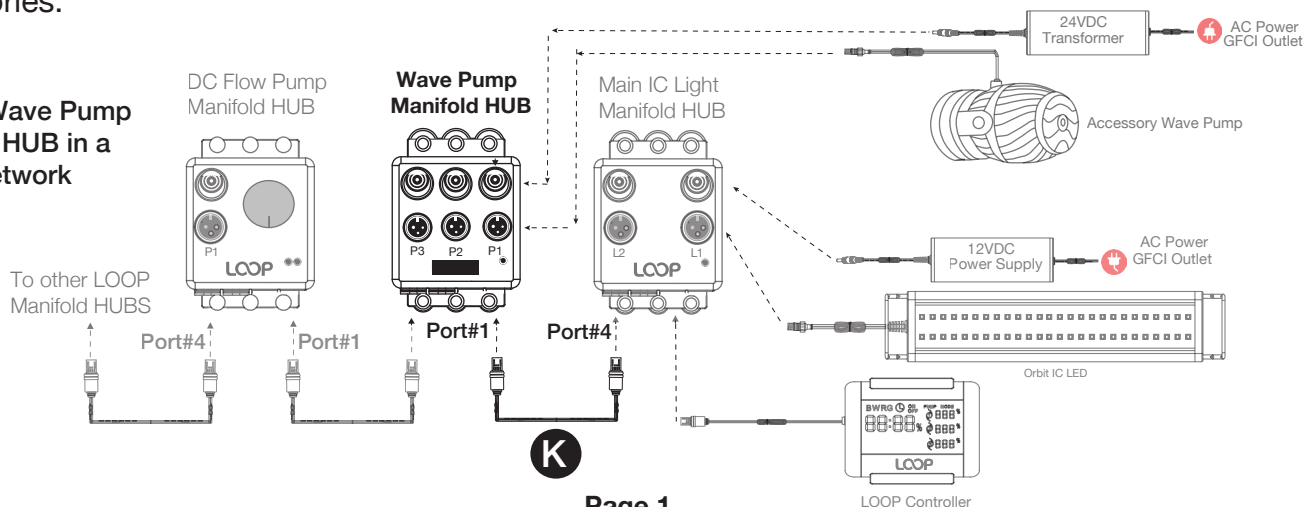
Step 2. Using included wood mounting screws, mount the eFlux wave pump HUB mounting bracket (E) to stand. Slide wave pump manifold HUB (D) and pump LED display (F) into bracket.



Step 3. Connect micro USB Cable (K) into Port#1 of the wave pump manifold, connect other end to Port#4 of the Main Light IC HUB or other manifold HUB. Blue LED communications light will blink when connected.

Step 4. Follow instructions included with accessory wave pump for installation of additional pumps and/or accessories.

Typical Wave Pump Manifold HUB in a LOOP Network



Safety Warnings & Warranty

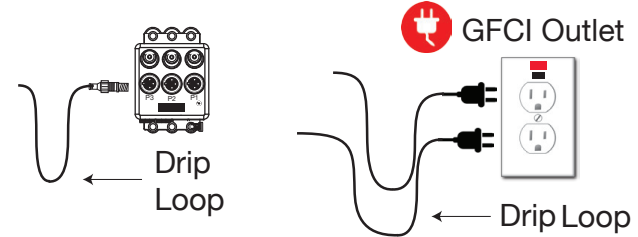
IMPORTANT WARNINGS | SAVE THESE INSTRUCTIONS

This is **NOT** a page of legalese. It contains important safety information that you should read and save for future reference. Remember you can always quickly access instructions for all our products at www.current-usa.com.

- Never attempt repairs yourself; return the appliance to an authorized service facility for service or discard the appliance.
- Carefully examine the fixture after installation and BEFORE you plug it into the GFCI wall outlet. Be sure there is no water on any part of the light fixture or the timer.
- Never plug in a wet cord. If a plugged in unit or socket does get wet, DON'T touch it. Instead, promptly disconnect the fuse or circuit breaker that supplies power to the fixture. Then, you may unplug the fixture and examine for the presence of water.
- Never operate a fixture that is damaged or malfunctioning, discontinue use immediately and return the appliance to an authorized service facility.
- Close supervision is necessary when any appliance is used by or near children.
- Always unplug the fixture when not in use, before putting on or taking off parts, and before cleaning. Never pull the cord to unplug from the GFCI.
- Do not use the fixture for anything other than intended use. The use of attachments not recommended or sold by the fixture manufacturer may cause an unsafe condition and will void your warranty.
- Do not install or store the fixture where it will be exposed to the weather or to temperatures below 0° Celsius or 32° Fahrenheit.
- Do not operate at temperatures above 50° Celsius or 122° Fahrenheit.
- Ensure the fixture is securely installed before supplying power to the unit.
- Read and observe all the important notices and warnings on the fixture and power cord. DO NOT REMOVE THE WARNING LABEL.
- If an extension cord is necessary, a cord with a rating at least 15 amperes should be used. A cord rated for less amperes or watts than the fixture rating may overheat. Care should be taken to arrange the cord so that it will not be tripped over or pulled.
- Do not look directly into the LEDs.
- Do not install pumps where strong currents can harm animals. Do not install close to sand bed where it can suck/stir sand.
- Pumps can produce powerful wave action in both wave and surge modes. Ensure your aquarium is designed for wave pumps and ensure pumps are mounted low enough not to push water out of the aquarium tank.
- Magnet assembly is VERY powerful. Be cautious not to cause injury to fingers.
- Keep magnets and all accessories out of reach of children.
- Never place magnets or pump near sensitive electronics, sharp objects or other attractive surfaces.
- Do not run pumps dry or out of water.
- Always place spacer between magnets when not in use.
- Always unplug with dry hands for maintenance or servicing.
- Turn all controllers OFF and disconnect power supply before performing any service or maintenance.
- This product MUST be powered by a UL or ETL listed power supply.
- To avoid possible electric shock, power supply MUST be plugged into a GFCI wall outlet installed by a certified electrician in accordance with all local codes. All products must have a drip loop.

Important Warnings | Drip Loops

Drip Loops should always be used to help prevent water from traveling along the cord and coming into contact with an electrical outlet. Drip loops must always be below the level of the outlet.



Current-USA One Year Limited Warranty

This product **MUST** be purchased from an authorized Current-USA reseller. Visit our website for a list of unauthorized resellers. Current USA, Inc. warrants this product against defects in materials and workmanship for **ONE (1) YEAR** from the date of original retail purchase and is none transferable.

Warranty on all Products, including Aquariums, is limited to replacement of the product and does not cover fish loss, personal injury, property loss or direct, incidental or consequential damage arising from the use of this product.

Note: Current-USA, Inc. One-Year Limited Warranty does not cover damage caused by the following: improper installation, saltwater corrosion, electrical surges, or modifications.

If you discover a defect, please see your retail store or point of purchase. Current USA, Inc. will, at it's option, repair or replace the product at no charge to you, provided you return it during the warranty period. A copy of the bill of sale is required as proof of original purchase date in the event the product needs repairs within the warranty period. Please see your dealer for return options and warranty replacement parts. This warranty applies only to products by or for Current USA, Inc. that can be identified by trade name, or logo affixed to them. Current-USA, Inc. does not warrant any products that are not Current-USA, Inc..

This warranty does not apply if the product has been damaged by accident, abuse, misuse or misapplication or if the product has been modified without the written permission of Current-USA, Inc.; or if any Current-USA, Inc. logos have been removed or defaced.

THE WARRANTY AND REMEDIES SET FORTH ABOVE ARE EXCLUSIVE AND IN LIEU OF ALL OTHERS, WHETHER ORAL OR WRITTEN, EXPRESSED OR IMPLIED CURRENT USA, INC. SPECIFICALLY DISCLAIMS ANY AND ALL IMPLIED WARRANTIES, INCLUDING BUT NOT LIMITED TO LOST PROFITS, DOWNTIME, GOODWILL, DAMAGE TO OR REPLACEMENT OF EQUIPMENT AND PROPERTY, AND ANY COSTS OF RECOVERING ANIMALS, PLANTS, TANKS OR OTHER AQUARIUM RELATED ITEMS AND/OR EQUIPMENT. CURRENT USA, INC. IS NOT RESPONSIBLE FOR SPECIAL, INCIDENTAL, OR CONSEQUENTIAL DAMAGES RESULTING FROM ANY BREACH OF WARRANTY, OR REPLACEMENT OF EQUIPMENT OR PROPERTY, OR ANY COSTS OF RECOVERING OR REPRODUCING ANY EQUIPMENT, ANIMALS OR PLANTS USED OR GROWN WITH CURRENT USA, INC. PRODUCTS. Some jurisdictions do not allow the exclusion or limitation of incidental or consequential damages or exclusions of implied warranties, so the above limitations or exclusions may not apply to you. This warranty gives you specific legal rights, and you may also have other rights that vary from jurisdiction to jurisdiction.