

frisco.
better pet goods

28"
HEIGHT



SKU#128073

OVERALL DIMENSIONS

28" H x 23" L x 17" W

BASEBOARD DIMENSIONS

18" L x 13" W

CAT TREE

INSTRUCTION MANUAL

WARNINGS & CAUTIONS

PLEASE READ AND FOLLOW ALL WARNINGS AND INSTRUCTIONS TO AVOID PET INJURY OR PROPERTY DAMAGES.

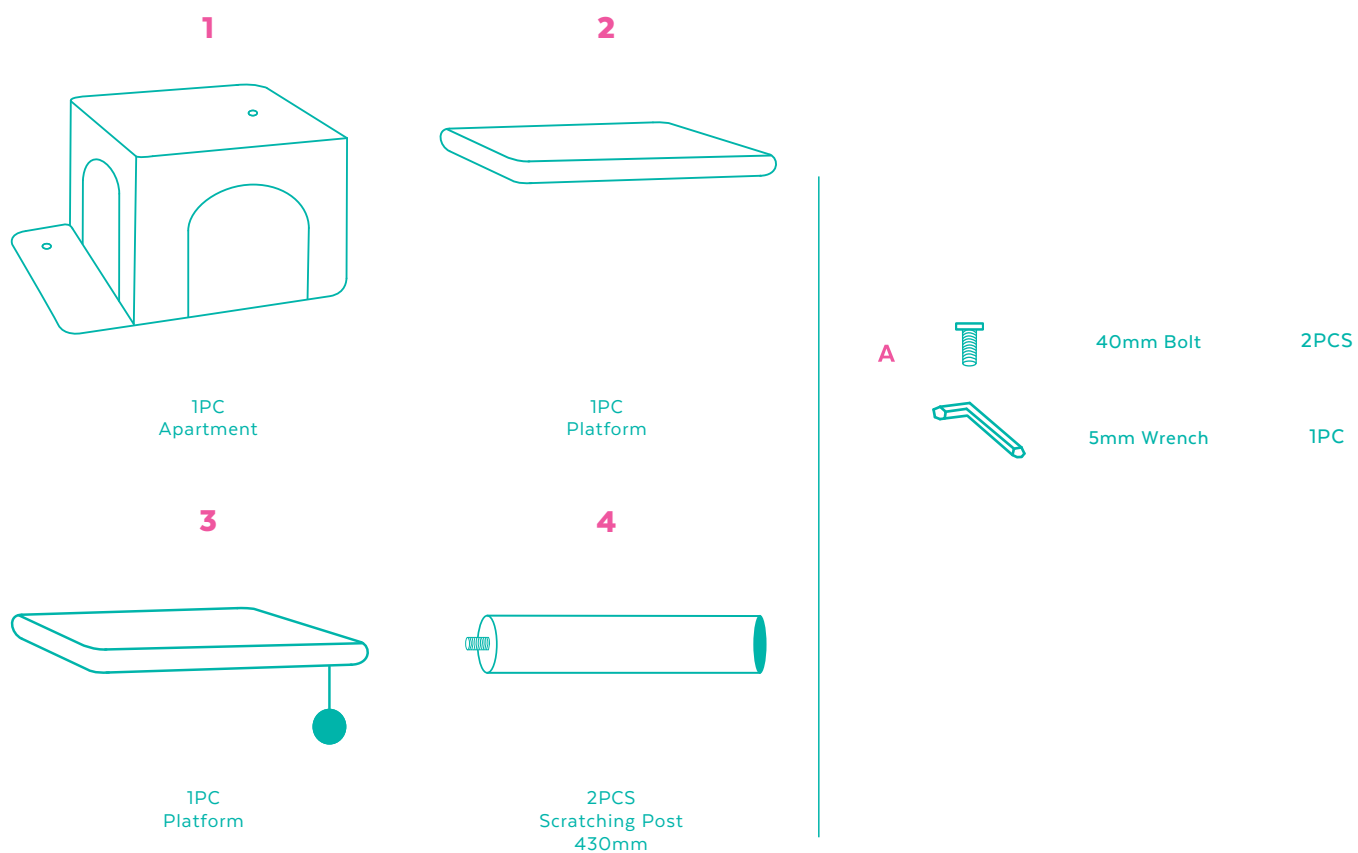
- Keep all tools and instructions in a safe place for future reference.
- Follow the instructions carefully and make sure you've completed each step.
- This cat tree is intended for cat use only; please keep children away.
- Keep all small parts away from children/pets to avoid choking hazards.
- Never climb, rock, shake, step on or hang on the cat tree.
- Place your cat tree indoors, away from direct sunlight or damp areas.
- Cat trees should be placed on a flat, level surface against a wall or in a corner for best stability.
- Check your cat tree often for loose screws or parts that might need re-tightening.
- If your cat tree gets torn or damaged, please discard it.
- The product photo may vary slightly from your fully assembled cat tree, as this product is continually being enhanced.

CLEANING INSTRUCTIONS

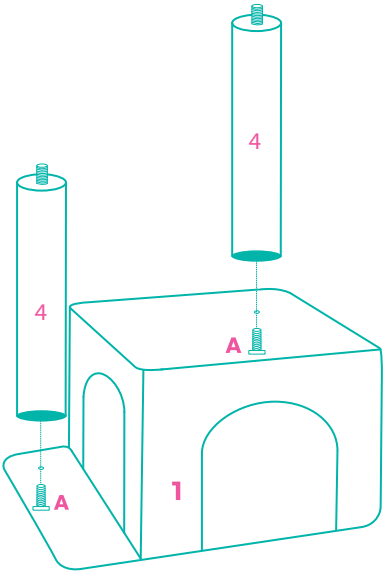
Spot clean stains and vacuum fur (using small handheld or attachment) when necessary.

COMPONENTS

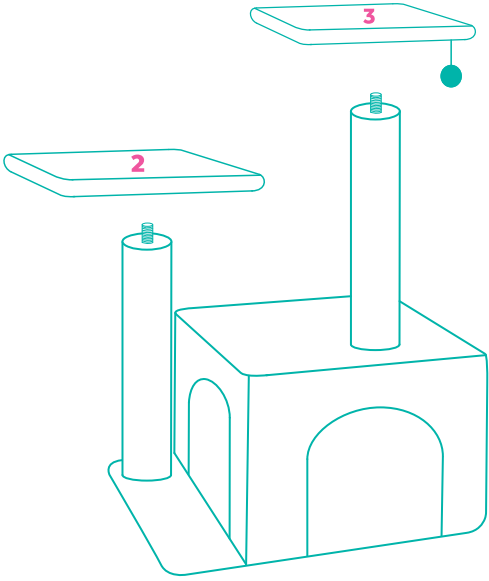
Prior to assembly, be sure to identify and sort all components shown below.



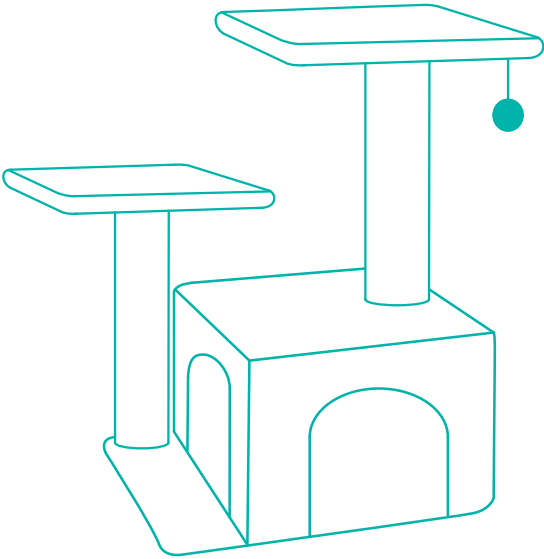
ASSEMBLY INSTRUCTIONS



STEP 1



STEP 2



**FINISHED
ASSEMBLY**

FULL ASSEMBLY

