

## Hang On Back Filter Manual

Thank you for purchasing the SunSun Hang On Back Filter with UV Sterilizer. Please read the manual before you use the filter. Do not let children use the filter without adult supervision. Please keep the manual for future reference.

### Usage:

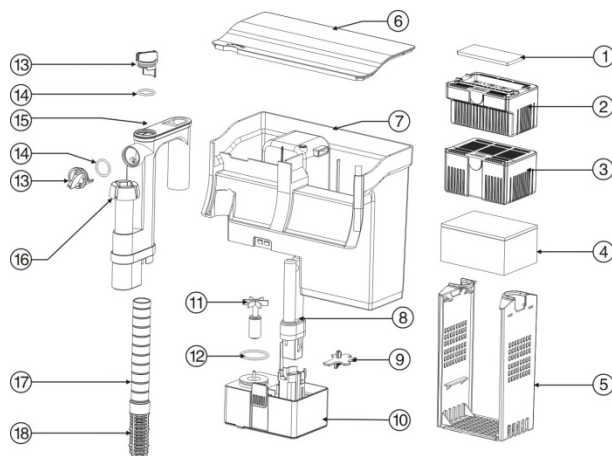
This filter includes a UV sterilizer, which helps reduce floating algae and bacteria in the aquarium. Please do not expose the UV light to your skin or eyes. Do not use the UV sterilizer if the outer case is broken. The filter uses biological and mechanical filtration to clean the aquarium water. Please pay attention to the following:

1. Use in water with temperature between 4°C to 35°C (39°F to 95°F).
2. Use in an aquarium only.
3. Do not use with liquids other than water.
4. Do not run dry.
5. Do not use with dangerous liquids or explosive chemicals.

### Safety Instructions:

1. Electrical installations must meet the national regulations.
2. The unit may only be connected when the electrical data of the unit and power supply meet.
3. Never operate the unit if either the electrical cables or the housing are defective.
4. Do not carry or pull the unit by its electrical cable.
5. Never open the unit housing or its components, unless it is explicitly required in the instructions.
6. Only use original spare parts and accessories for the unit.
7. Never perform technical modifications to the unit.
8. Before performing any operation on the unit, turn off the power supply.

### Product Diagram:

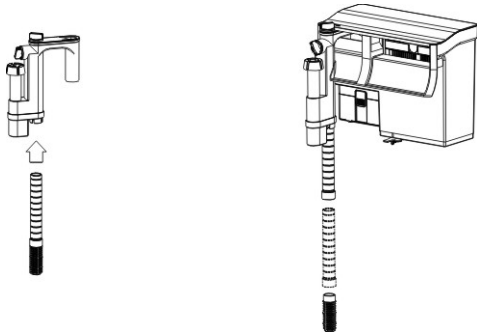


1. Filter Pad
2. Media Basket #1
3. Media Basket #2

4. Filter Sponge
5. Media Holder
6. Cover
7. Filter Body
8. UV Bulb
9. Filter to Glass Holder
10. Motor
11. Impeller
12. O-ring #1
13. Water Flow Dial
14. O-ring #2
15. Intake Tube
16. Surface Skimmer
17. Telescopic Tube
18. Intake Cover

Instructions:

1. Take out the filter from the packaging, wash the filter pads, carbons and ceramic balls.
2. Put the telescopic tube and intake cover in to the intake tube.



3. Put the filter pads, carbon, and ceramic balls into the filter body.
4. Adjust the filter to glass holder so that the filter is leveled.
5. Fill the filter body with tank water before usage.
6. Adjust the water flow dial to limit the water intake.
7. The dial on the side can adjust the intake for the surface skimmer. Please turn down the surface skimmer if the surface skimmer is taking in too much air.
8. UV sterilizer can be turned on and off if needed.

## UV Sterilizer Instructions

### Cleaning and Changing Part:

1. Unplug the power and pour out the water.
2. Pull out the motor from the filter body.
3. Clean the impeller and change UV bulb if necessary.
4. Take out the quartz tube and clean the surface.
5. Check if the quartz tube and O-ring are in good condition (change if necessary).
6. Assemble the parts back together.

### Product Spec:

| Model   | Flow Rate          | UV Wattage | Suitable Aquarium Size | Product Dimension |
|---------|--------------------|------------|------------------------|-------------------|
| CBG-500 | 500L/h<br>(132GPH) | 5W         | 38~115L (10-30GAL)     | 192x110.5x165mm   |
| CBG-800 | 800L/h<br>(211GPH) | 5W         | 75~190L (20-50GAL)     | 229x127.5x179mm   |

### Troubleshooting:

| Problem                | Cause  | Solution  |
|------------------------|--|---|
| Dirty Water            | Beneficial bacteria are not established in the new filter. | Dose some bacteria into the filter and tank (learn more about the Nitrogen Cycle in Aquarium Online). |
|                        | Not the right size   | Upgrade to a larger filter  |
|                        | Too many livestock   | For reference only: 1 inch of fish per gallon of tank water   |
|                        | Dirty filter pads  | Clean the filter pads   |
|                        | Dirty quartz tube  | Clean the quartz tube   |
|                        | Water is extremely dirty                                   | Perform a 50% water change  |
| The UV Light Is Not On | Filter is not plug into power                              | Plug the filter to power outlet   |
|                        | UV bulb burn out   | Replace 5W UV bulb  |
|                        | The On/Off switch in Off position                          | Push the switch to the On position  |
| No Water Coming Out    | No water in filter body                                    | Put tank water in filter body   |
|                        | Filter not plugged into power                              | Plug filter to the power outlet   |
|                        | Intake cover clogged                                       | Clean intake cover  |

### Replacement Parts:

1. UV bulb (suggest changing after 8000 hours of usage)
2. Filter pads and media
3. O-ring