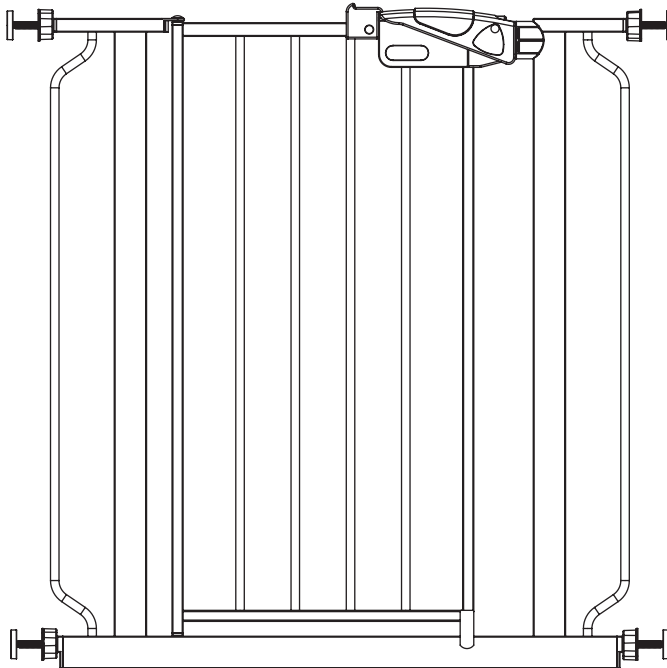




# Easy Step Safety Gate

OWNER'S MANUAL MODELS: 1164EW, 1164EB, 1164EP, 1165W




- READ ALL INSTRUCTIONS BEFORE ASSEMBLY AND USE OF GATE.
- KEEP INSTRUCTIONS FOR FUTURE USE.

 [www.regalo-baby.com](http://www.regalo-baby.com)

 Regalo International, LLC.

3200 Corporate Center Drive, Suite 100 / Burnsville, MN 55306, USA

 866.272.5274 (U.S. only) or 952.435.1080

Made in China



# Before Using Product

---

Read and follow all instructions carefully to ensure that your gate and extensions are properly installed. Improper installation could result in the gate becoming unstable or dislodged from the doorway. Always make sure the extension is securely attached to the gate before using. The safety of your child is your responsibility. Please keep these instructions for your reference.

## **IMPORTANT**

- Never use more than two extensions per side of gate.
- If hardware mounting to a surface other than drywall or wood, please consult with a professional about installation.

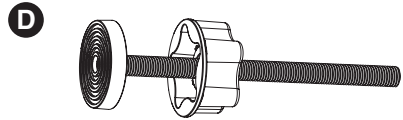
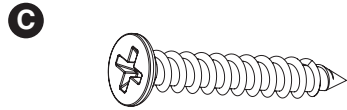
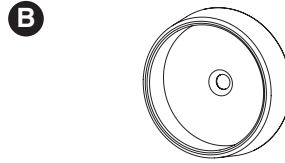
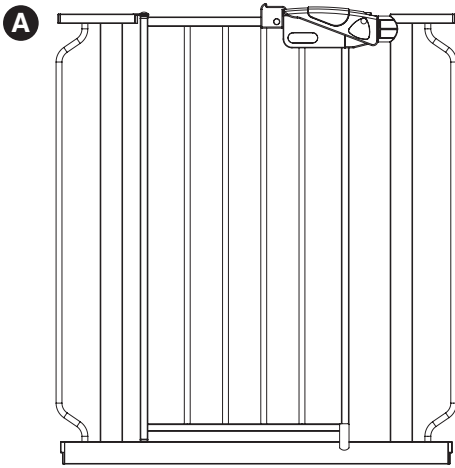


# WARNING

- Install according to manufacturer's instructions.
- Children have died or been seriously injured when gates are not securely installed. **ALWAYS** install and use gate as directed using all required parts.
- **STOP** using when a child can climb over or dislodge the gate.
- Use only with the locking/latching mechanism securely engaged.
- If using this gate at the top of stairs, the four wall cups **MUST** be used. If not used, the gate may become dislodged from the opening.
- **NEVER** use to keep child away from pool.
- Intended for use with children from 6 months through 24 months.
- This product will not necessarily prevent all accidents. Never leave child unattended.
- Always ensure the gate is resting against the floor before beginning installation.
- Check the gate regularly to see if all the hardware and mountings are tightened.
- Do not use if any components are missing or damaged.

# Before Assembly

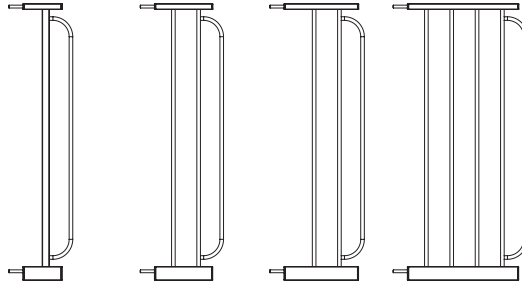
---



**PLEASE CHECK TO MAKE SURE YOU HAVE THE FOLLOWING PARTS:**

- A** *Gate Frame* (1)
- B** *Wall Cups* (4)
- C** *Screws* (4) (requires a Phillips/cross-head screwdriver)
- D** *Threaded Spindle Rods* (4)

# Extensions List



**NOTE**

MODEL NO.	4"	6"	8"	12"	MAX SIZE
1164EW					
1164EB		✓		✓	29–52 inches
1164EP					
1165W	✓	✓			29–44 inches

**WARNING:** The gap between the gate and wall should not exceed more than 2.5 inches.

**NOTE:** When installing any gate at its maximum width, use *wall cups* to ensure stability and safety.

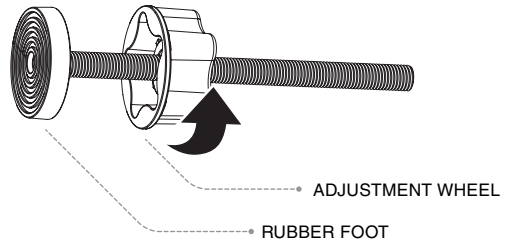
# Assembling and Installing Your Gate

---

**NOTE:** You will notice a slight gap between the *gate door latch* and the *frame*. **This is not a defect.** Your gate is a pressure mounted gate and this gap will disappear once you tighten your gate in its opening.

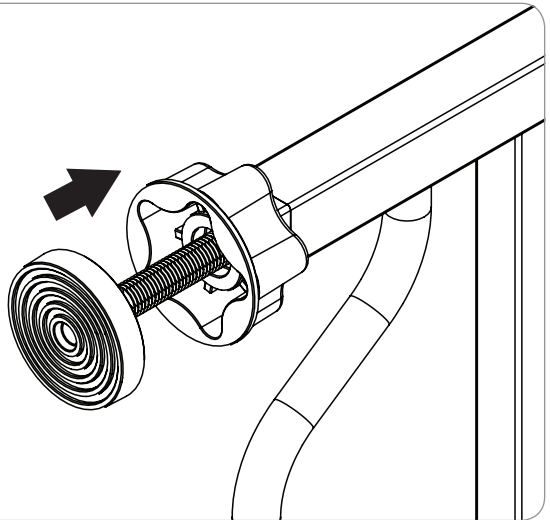
## STEP 1

Locate the (4) *threaded spindle rods*. Rotate the *adjustment wheels* along the threading, eliminating the gap between the *adjustment wheel* and the *rubber foot*.



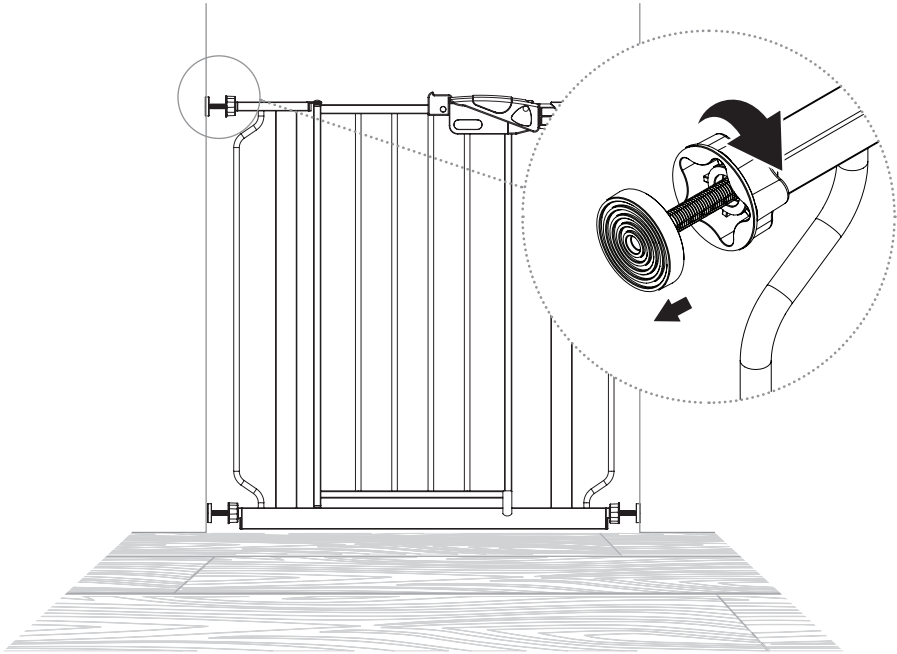
## STEP 2

Insert the (4) *threaded spindle rods* into the holes at each of the four corners of the gate.



### STEP 3

Position the gate so that it is level and centered within your doorway or opening. Rotate the *adjustment wheels* on the *threaded spindle rods* in the opposite direction as in STEP 1, expanding the gap between the *rubber foot* and the *adjustment wheel*. Expand each of the (4) *threaded spindle rods* until they make contact with the doorway or opening. Do not fully tighten the *threaded spindle rods* yet.



**NOTE:** It may be necessary to hold the *threaded spindle rods* or *rubber feet* while rotating the *adjustment wheels* to ensure the entire unit does not rotate.

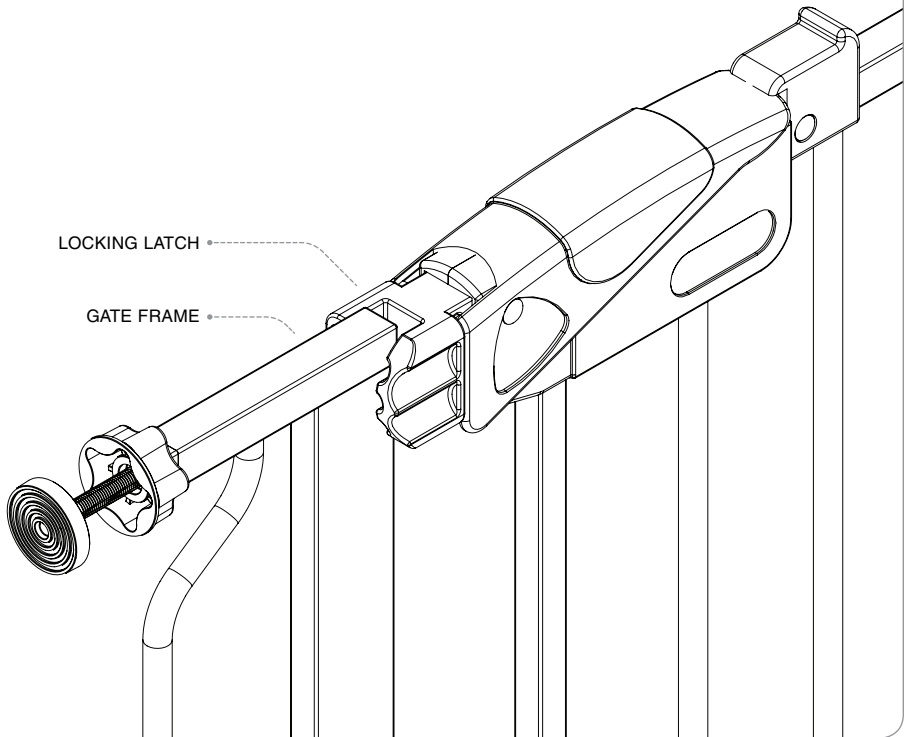


## STEP 4

When you are satisfied with the general placement of your gate, fully tighten the *threaded spindle rods* attached to the lower corners of the gate by further rotating the *adjustment wheels*.

Continue by tightening the upper *threaded spindle rods*. As you tighten the upper *threaded spindle rods*, you will notice the gap between the door frame and the *easy open latch* begin to narrow.

In order for the gate to function properly, stop tightening the upper *threaded spindle rods* just before the inner wall of the *locking latch* and the *gate frame* touch.



**NOTE:** There should be equal spacing among each of the (4) *threaded spindle rods*. Make the appropriate adjustment to ensure you have installed your gate safely.

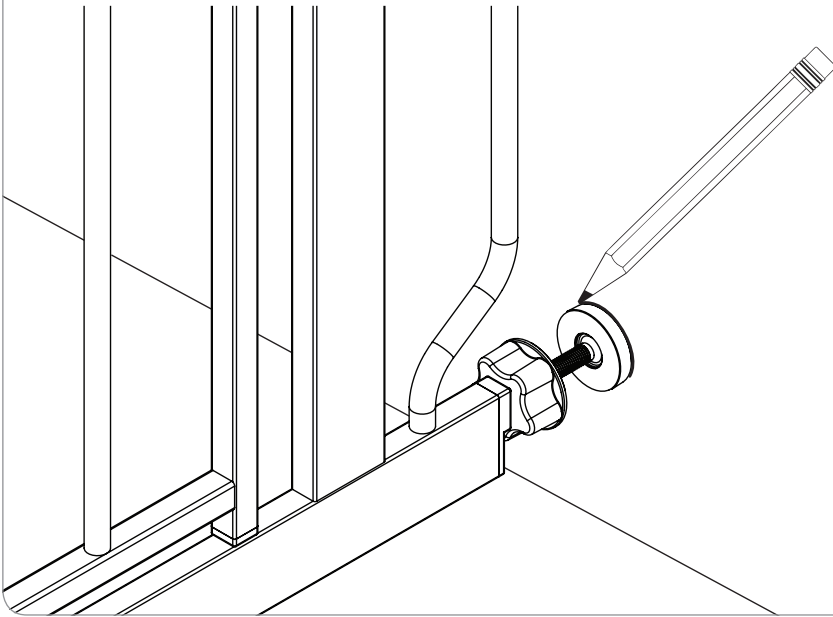
# Positioning and Attaching the Wall Cups

---

Your gate is a pressure mounted gate. Therefore, it is not necessary to use the screw attached *wall cups* in your door opening if you choose not to. However, **if you are using the gate at the top of the stairs you must use the *wall cups***. Using the *wall cups* will affix your gate more firmly in the doorway or opening.

## STEP 1

After you have mounted your gate, and you are satisfied with its positioning, draw a circle on the surface of your doorway or opening around the perimeter of the (4) *rubber feet*.



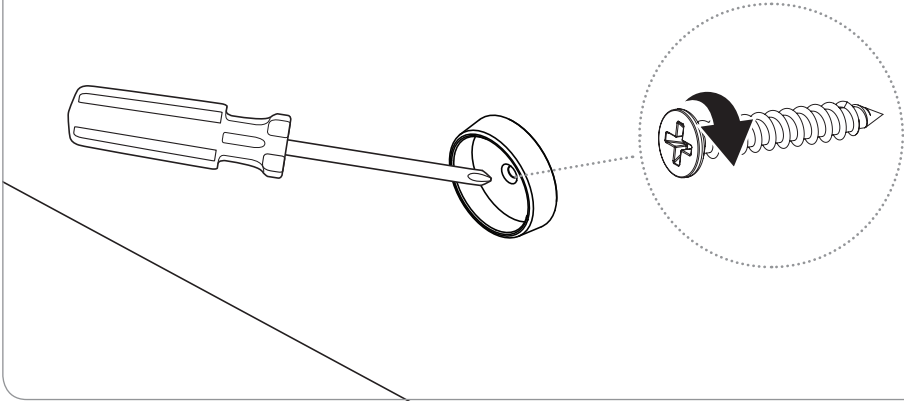
## STEP 2

Next, completely remove the gate from the opening by loosening each of the (4) *threaded spindle rods* to depressurize the gate.

### STEP 3

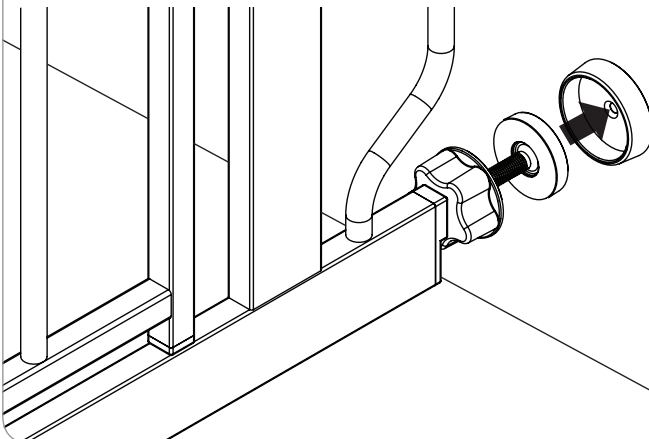
With the gate fully removed, you can now use the circles you marked during STEP 1 as guides for screwing in your (4) *wall cups*.

Center each of the *wall cups* within the guide circles and use the provided *self-tapping screws* to fasten them in place via the hole through the center of each *wall cup*.



### STEP 4

Reinstall your gate in the doorway or opening according to the instructions, using the newly installed *wall cups* as anchoring points for the (4) *threaded spindle rods*.

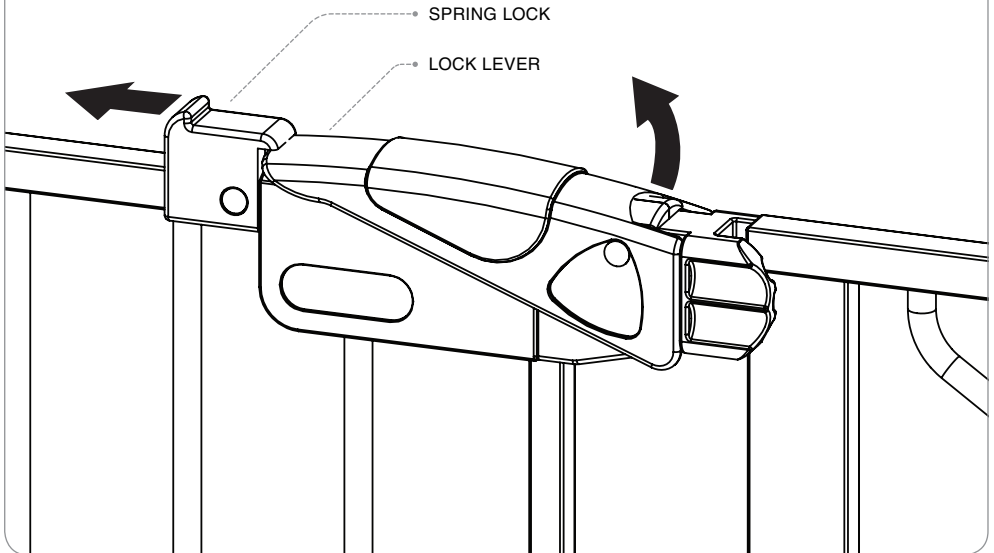


# Operating the Door Latch

---

## STEP 1

Pull the *spring lock* away from the *easy open latch* while simultaneously lifting the *lock lever* upwards. This will release the *locking latch* from the *gate frame* and allow the door to push or pull open.



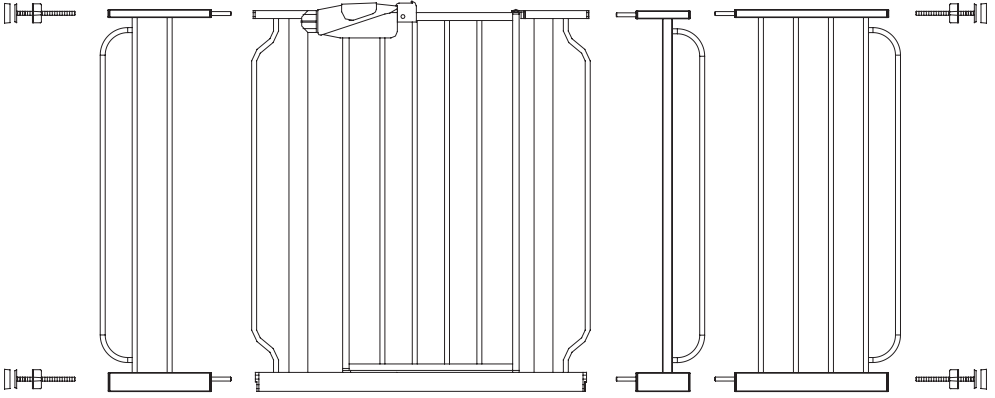
## STEP 2

To lock the door shut, close the door completely, then push down on the *lock lever* to re-engage the *spring lock*.

**NOTE:** If your *easy open latch* is not properly engaging with the *receiving component*, ensure that your gate is level, mounted properly, and that you have not over-tightened the *threaded spindle rods*.

# Adding a Gate Extension

---



## STEP 1

Choose the side of the gate to be extended and remove the top and bottom *threaded spindle rods*.

## STEP 2

Assemble the gate and extension as illustrated. Reposition the gate and fit in accordance with the gate fitting instructions.

**NOTE:** It is preferable to install any extensions on the hinge side of the gate. If you have an application that requires additional extensions, please contact the manufacturer.

## **REMOVING YOUR GATE FROM THE WALL**

To remove your gate from the wall, rotate the *adjustment wheels* on each of the (4) *threaded spindle rods* to depressurize the gate from its doorway or opening. Then, gently pull or push the gate free from its doorway or opening.

## **CARE AND MAINTENANCE**

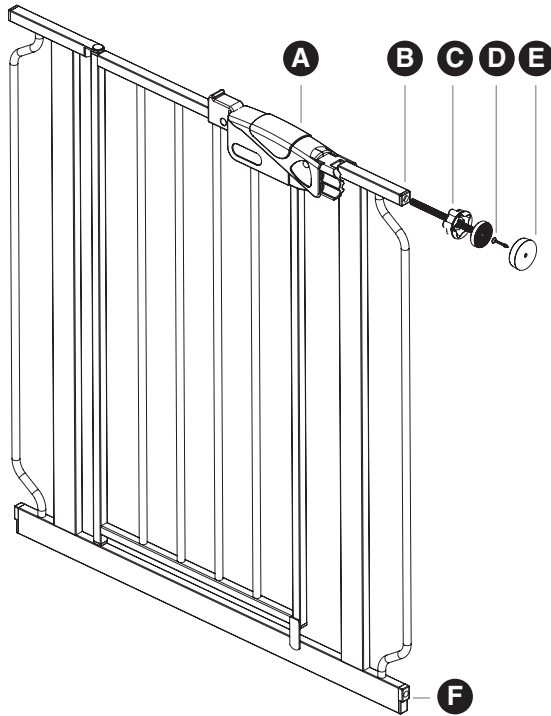
Periodically check the gate for signs of damage, wear, or missing components. Do not use if any part is missing, worn or damaged. Check the gate regularly to ensure all the hardware and mountings are tightened. Do not use abrasive cleaners or bleach. Clean by sponging with warm water and a mild detergent.

## **90 DAYS LIMITED WARRANTY**

If, during the first 90 days after consumer purchase of the item, under reasonable and non-commercial use and conditions of maintenance, it fails while owned by the original purchaser because of the quality of materials or workmanship of finish and assembly, Regalo International, LLC, will replace or repair it at Regalo's option. PROOF OF PURCHASE REQUIRED.

# Replacement Parts

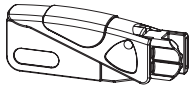
---



---

**A** **Easy Open Latch**

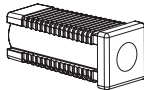
Gray = #14037  
Black = #11037  
White = #13037



---

**B** **Top Plug Insert**

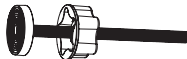
Gray = #14020  
Black = #11020



---

**C** **Threaded Spindle Rods**

w/Adjustment Wheel  
Gray = #14016  
Black = #11016



---

**D** **1" Wall Mount Screws**

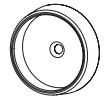
#10001



---

**E** **Wall Cups**

Gray = #14015  
Black = #11015



---

**F** **Bottom Plug Insert**

Gray = #14019  
Black = #11019





[www.regalo-baby.com](http://www.regalo-baby.com)



**Regalo International, LLC.**  
3200 Corporate Center Drive, Suite 100  
Burnsville, MN 55306, USA



866.272.5274 (U.S. only) or 952.435.1080

20170607EF