

**frisco**<sup>®</sup>  
by **chewy**



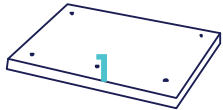
**66" Cat Tree**  
**Product Manual**  
**SKU#214380, 214381**

37.2 inch L x 28 inch W x 66 inch H  
94.5 cm L x 71 cm W x 168 cm H

# Assembly Instructions

Please Read Through All Instructions Before Starting

## Parts Included



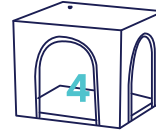
1PC Baseboard  
23.5 inches x 19.1 inches x 1.6 inches



1PC Perch Platform  
13 inches x 13 inches x 0.8 inches



1PC Platform  
23.5 inches x 19.1 inches x 0.8 inches



1PC Apartment  
14.1 inches x 14.1 inches x 12 inches



1PC Hammock



1PC Platform  
23.5 inches x 11.4 inches x 0.8 inches



1PC Perch Platform  
13 inches x 13 inches x 0.8 inches



4 PCS Post  
10.4 inches



1PC Post  
7.9 inches



1PC Post  
7.9 inches



1 PC Scratching Post  
14.9 inches



6 PCS Scratching Post  
18.9 inches



1 PC Scratching Post  
14.6 inches



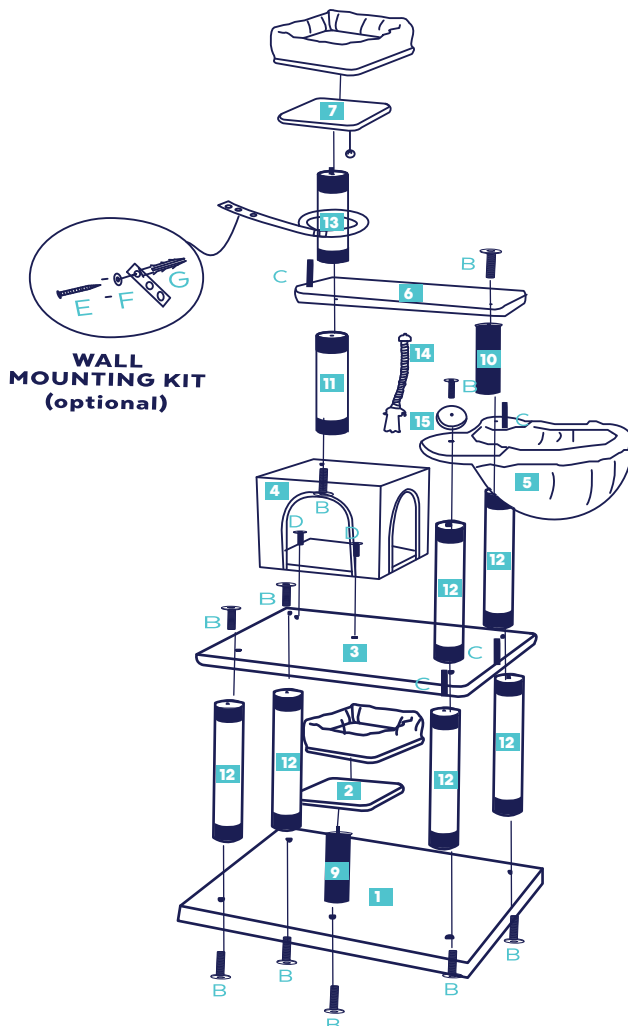
1PC Rope



1PC Rounded Board



2 PCS Bolstered perch cover



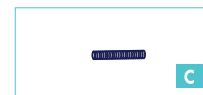
## Accessories



8 PCS  
M8 X 40mm Bolt



10 PCS  
M10 X 46mm Bolt



4 PCS  
M10 X 90mm Bolt



2 PCS  
M8 X 31mm Bolt



1PC  
M4 X 30mm Screw



1PC  
18 mm Washer



1PC  
30mm Drywall Anchor



1PC  
5mm Allen Wrench



1PC  
Wall Anchor Strap



NO

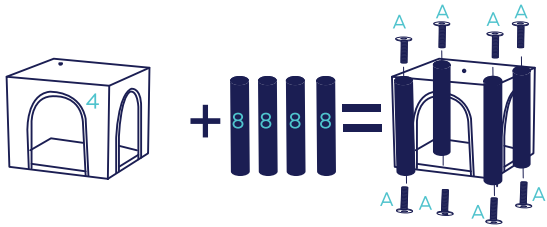


YES

Call 1.800.672.4399 for questions

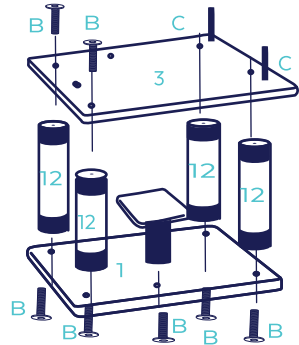
# Assembly Instructions

Please Read Through All Instructions Before Starting



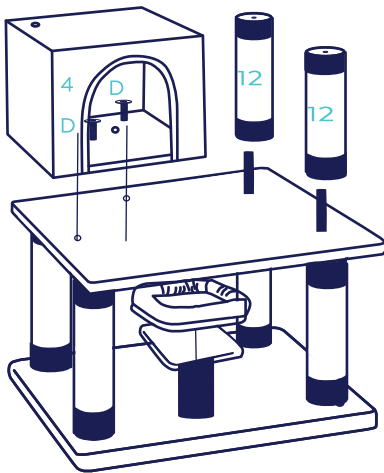
For easier assembly, insert all 4 posts inside to frame the apartment from each corner. Use the allen wrench to locate and align the holes between apartment board and post, then loosely attach the screws at both ends without completely tightening. Repeat for all corners. Then, tighten all 8 screws to finish apartment assembly.

## Step 1.

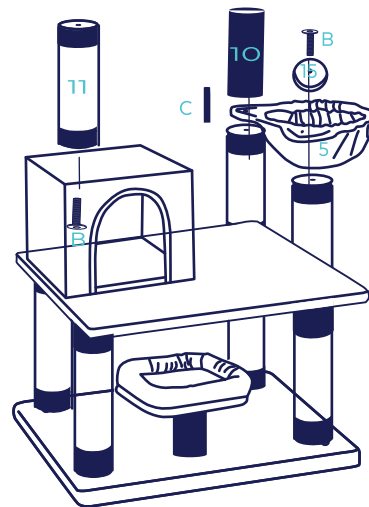


## Step 2.

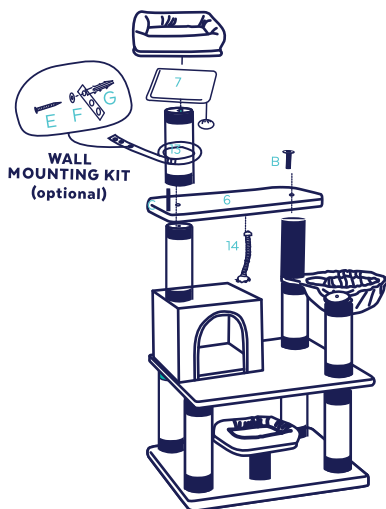
## Step 3.



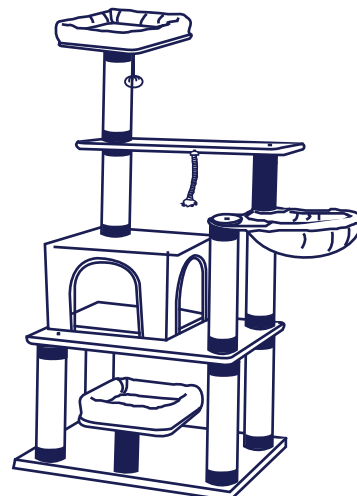
## Step 4.



## Step 5.



## Step 6.



## FINISHED ASSEMBLY

## Warning & Cautions

**Please read and follow all warnings and instructions to avoid pet injury or property damages.**

**This cat tree is intended for single cat use only, please keep children away.**

**Keep all small parts away from children / pets to avoid choking hazards.**

**Keep all tools and instructions in a safe place for future reference.**

**Follow the instructions carefully and make sure you've completed each step.**

**Never climb, rock, shake, step or hang on the cat tree.**

**Place your cat tree indoors, away from direct sunlight or damp areas.**

**Cat trees should be placed on a flat, level surface for stability.**

**Check your cat tree often for loose screws or parts that might need re-tightening.**

**If your cat tree gets torn or damaged, please discard it.**

**The product photo may vary slightly from your fully assembled cat tree as this product is continually being enhanced.**

## Cleaning & Instructions

**Spot clean stains and vacuum fur (using small handheld or attachment) when necessary.**

## Questions?

**Call our friendly customer service anytime.**

**We're here 24/7 at 1.800.672.4399**