

**frisco**<sup>®</sup>  
by **chewy**



**73-in Cat Tree with Hammock,  
Condo, Lounge Basket, Top  
Perch & Bed  
Product Manual**

**SKU# 214383, 214384**

**38.9 IN L X 24 IN W X 73 IN H**

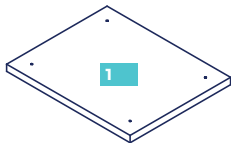
**98.5 CM L X 61 CM W X 182 CM H**

# Assembly Instructions

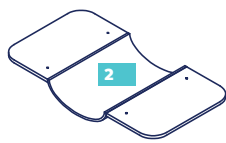
Please read through all instructions before starting.

## Parts Included

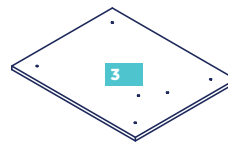
Prior to assembly, please be sure to identify and sort all parts shown below.



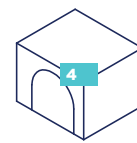
1 Baseboard



1 Platform With Hammock



1 Platform



1 Apartment



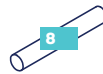
1 Hammock



1 Bolstered Platform



1 Platform



8 Scratching Posts  
15.75 inch



4 Posts  
10.43 inch



4 Posts  
10.63 inch



1 Post  
9.06 inch



1 Scratching Post  
13.78 inch



1 Rope Toy



1 Bolstered Perch Cover

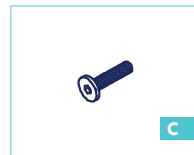
## Accessories



9 Bolts  
M10 mm x 85 mm



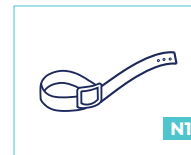
8 Bolts  
M6 mm x 35 mm



9 Bolts  
M10 mm x 40 mm



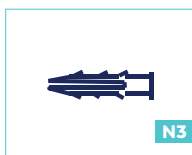
2 Bolts  
M10 mm x 32 mm



1  
Wall Anchor Strap



1 Screw  
M4 mm x 3 mm



1 Drywall Anchor  
30 mm



1 Washer  
18 mm



1  
5 mm Allen Wrench



YES



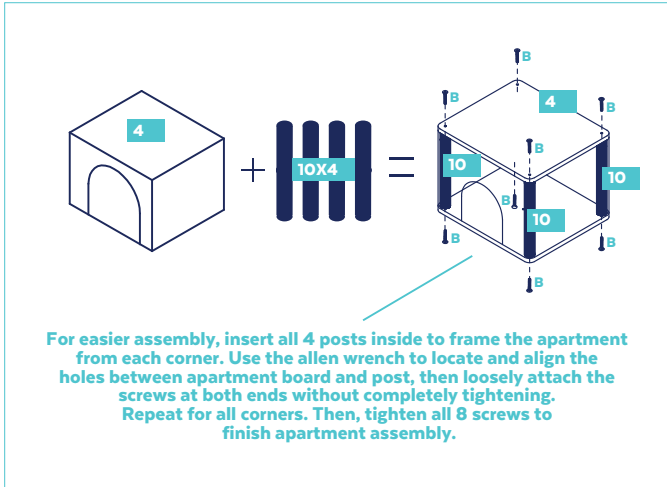
YES

Call 1.800.672.4399 for questions

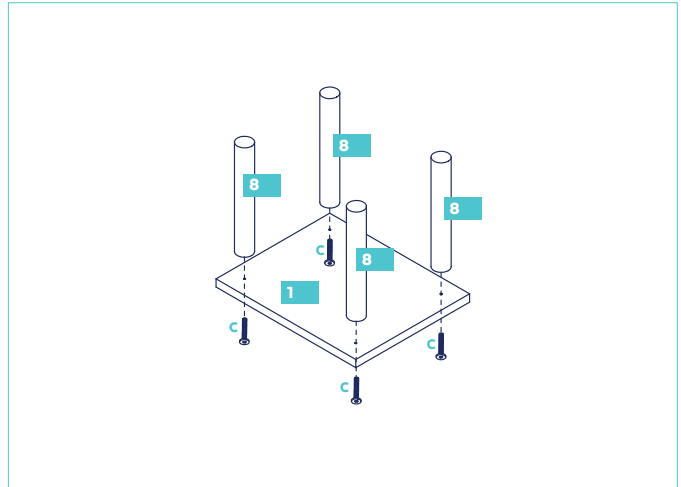
# Assembly Instructions

Please Read Through All Instructions Before Starting

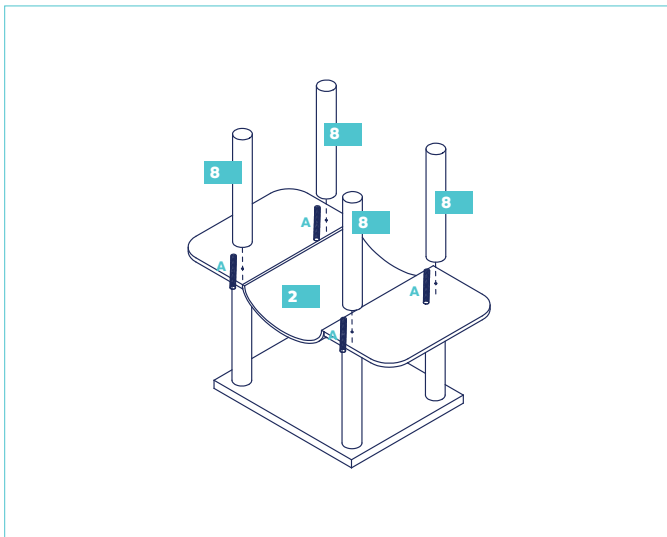
## Step 1.



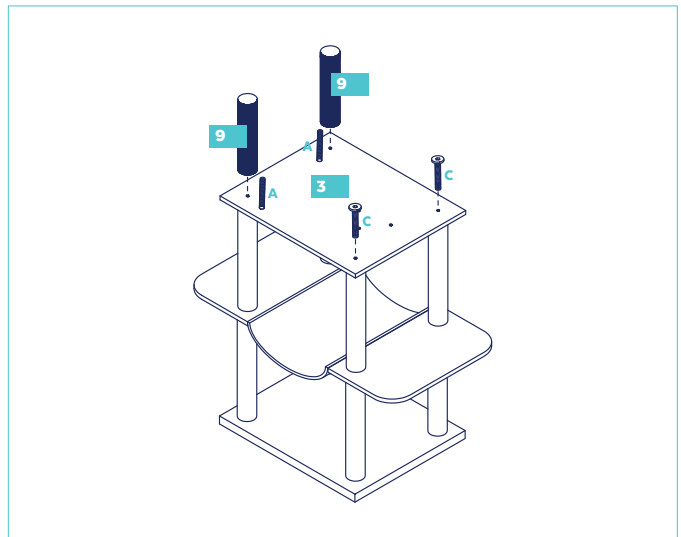
## Step 2.



## Step 3.



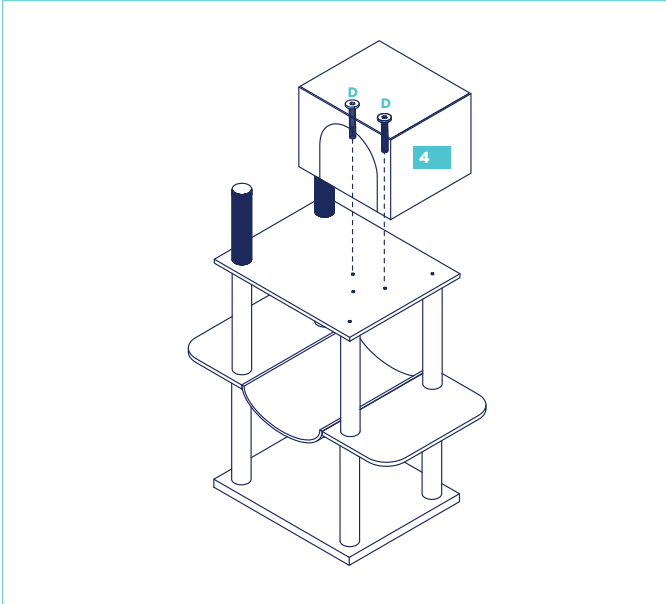
## Step 4.



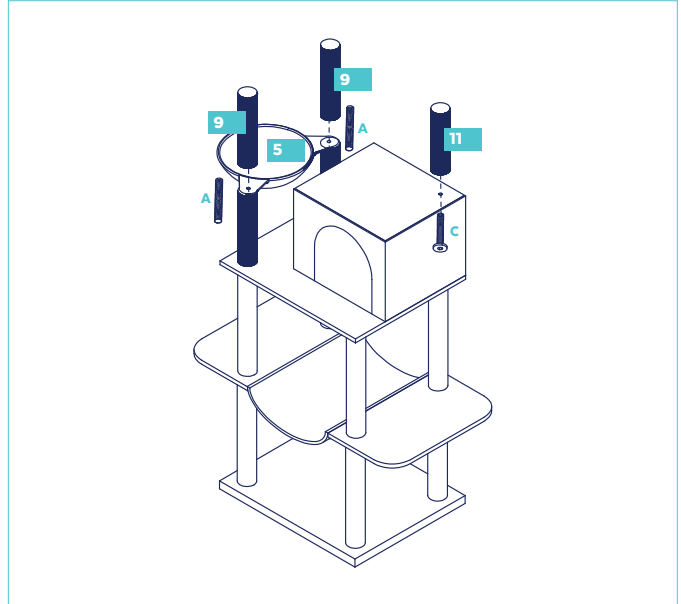
# Assembly Instructions

Please Read Through All Instructions Before Starting

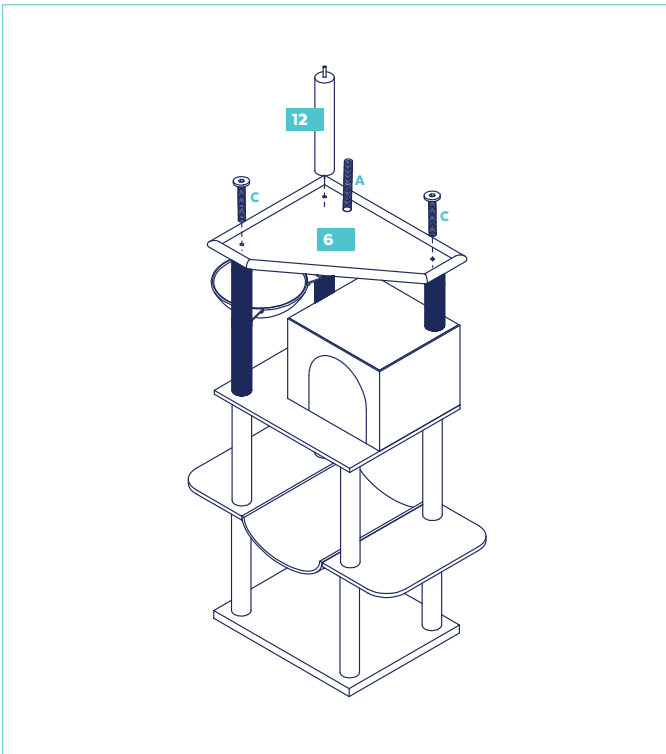
## Step 5.



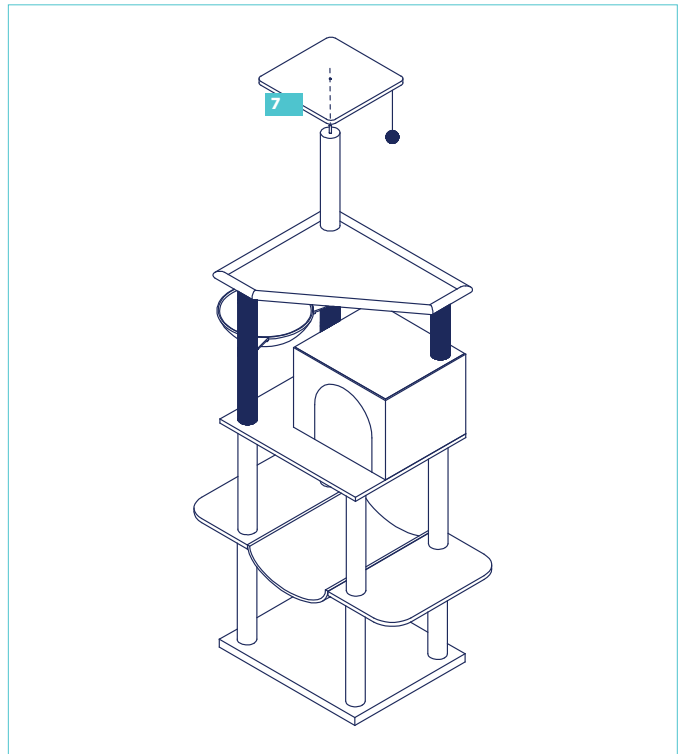
## Step 6.



## Step 7.



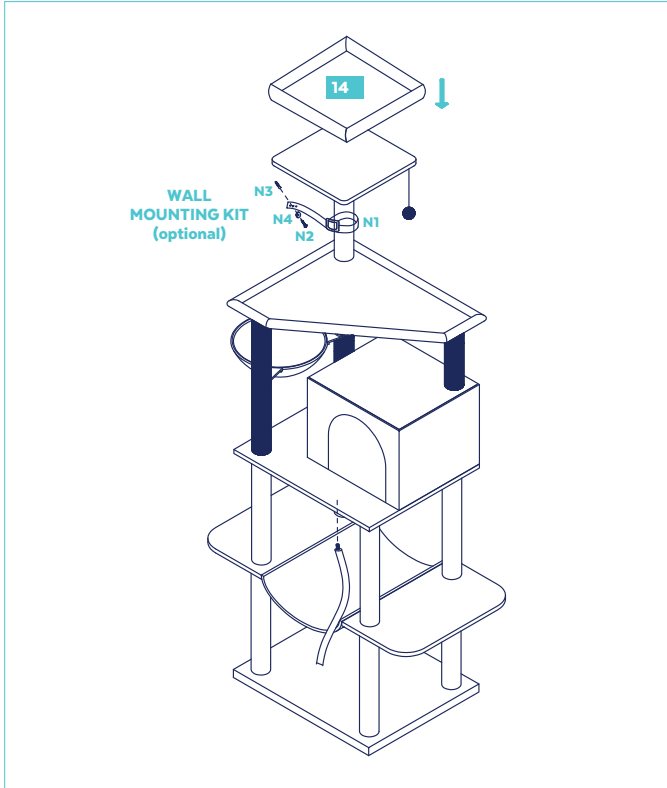
## Step 8.



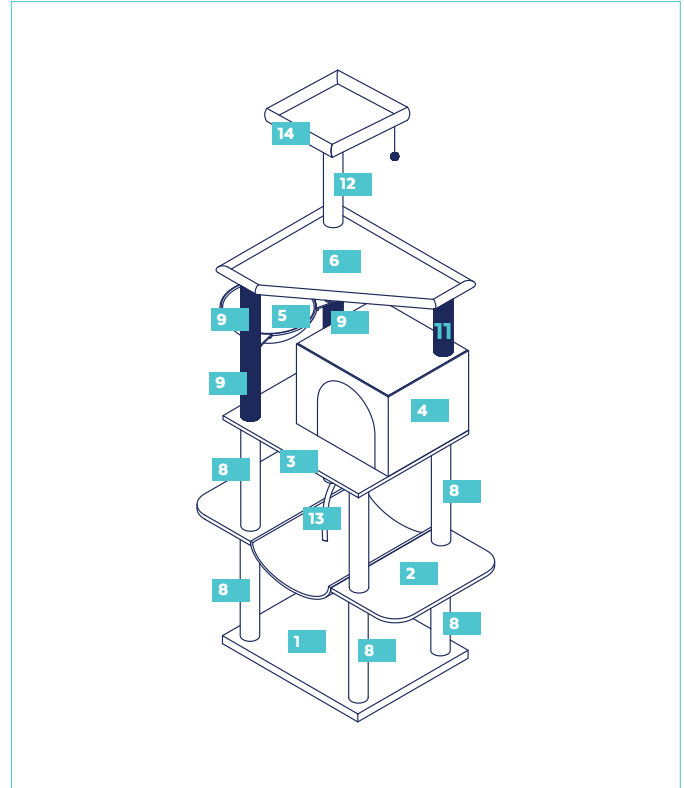
# Assembly Instructions

Please Read Through All Instructions Before Starting

## Step 9.



## FINISHED ASSEMBLY



## Warning & Cautions

Please read and follow all warnings and instructions to avoid injury or property damage.

This is not a toy, not for use with children.

Keep all small parts away from children / pets to avoid choking hazards.

For cat use only.

Should only be operated by a responsible adult.

Keep all tools and instructions in a safe place for future reference.

Follow the instructions carefully and make sure you've completed each step.

Cat tree should be placed on a flat level surface.

Never climb, rock, shake, step or hang on the cat tree.

Check your cat tree often for loose screws or parts that might need re-tightening.

If your cat tree gets torn or damaged, please discard it.

The product photo may vary slightly from your fully assembled cat tree as this product is continually being enhanced.

## Cleaning & Instructions

Spot clean stains and vacuum fur (using small handheld or attachment) when necessary.

## Questions?

Call our friendly customer service anytime.  
We're here 24/7 at 1.800.672.4399