

frisco[®]
by **chewy**



64" Cat Tree
Product Manual
SKU# 214386, 214387

30 inch L x 23.4 inch W x 64 inch H
77 cm L x 59.5 cm W x 163 cm H

Assembly Instructions

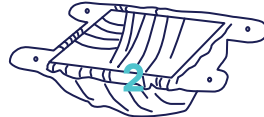
Please Read Through All Instructions Before Starting

Parts Included

Prior to assembly, please be sure to identify and sort all parts shown below.



1PC Baseboard
23.5 inches x 19.1 inches x 1.6 inches



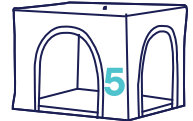
1PC Hammock



1PC Platform
18.9 inches x 11.4 inches x 0.8 inches



1PC Platform
23.5 inches x 19.1 inches x 0.8 inches



1PC Apartment
15.7 inches x 14.2 inches x 12 inches



2 PCS Perch Platform
13 inches x 13 inches x 0.8 inches



6 PCS Scratching Post
16.3 inches



4 PCS Post
10.4 inches



2 PCS Scratching Post
13.8 inches



4 PCS Post
7.9 inches



1PC Rope



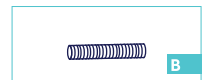
2 PCS Bolstered perch cover



Accessories



8 PCS
M10 X 46mm Bolt



7 PCS
M10 X 90mm Bolt



8 PCS
M8 X 40mm Bolt



2 PCS
M8 X 31mm Bolt



1 PC
M4 X 30mm Screw



1 PC
18 mm Washer



1 PC
30mm Drywall Anchor



1 PC
5mm Allen Wrench



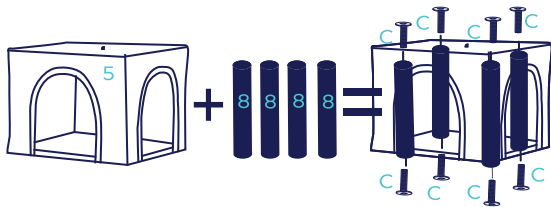
1 PC
Wall Anchor Strap



Call 1.800.672.4399 for questions

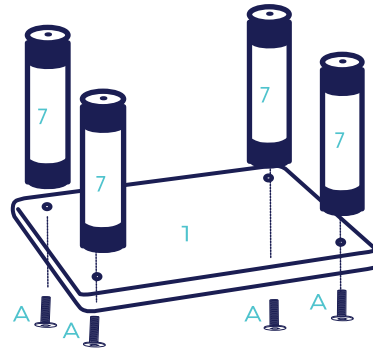
Assembly Instructions

Please Read Through All Instructions Before Starting

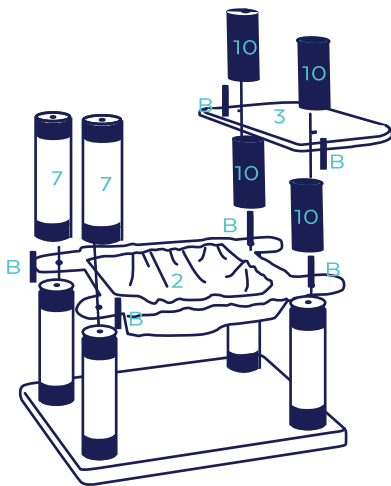


For easier assembly, insert all 4 posts inside to frame the apartment from each corner. Use the allen wrench to locate and align the holes between apartment board and post, then loosely attach the screws at both ends without completely tightening. Repeat for all corners. Then, tighten all 8 screws to finish apartment assembly.

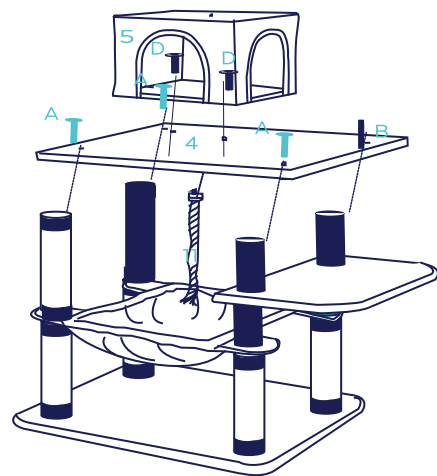
Step 1.



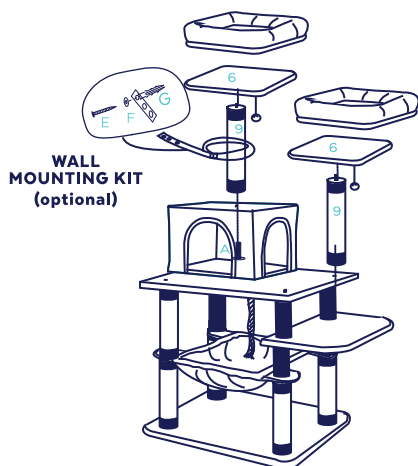
Step 2.



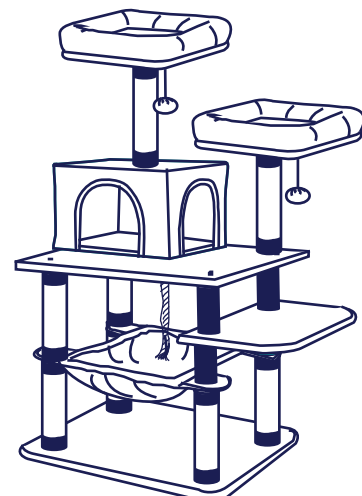
Step 3.



Step 4.



Step 5.



FINISHED ASSEMBLY

Call 1.800.672.4399 for questions

Warning & Cautions

Please read and follow all warnings and instructions to avoid pet injury or property damages.

This cat tree is intended for single cat use only, please keep children away.

Keep all small parts away from children / pets to avoid choking hazards.

Keep all tools and instructions in a safe place for future reference.

Follow the instructions carefully and make sure you've completed each step.

Never climb, rock, shake, step or hang on the cat tree.

Place your cat tree indoors, away from direct sunlight or damp areas.

Cat trees should be placed on a flat, level surface for stability.

Check your cat tree often for loose screws or parts that might need re-tightening.

If your cat tree gets torn or damaged, please discard it.

The product photo may vary slightly from your fully assembled cat tree as this product is continually being enhanced.

Cleaning & Instructions

Spot clean stains and vacuum fur (using small handheld or attachment) when necessary.

Questions?

Call our friendly customer service anytime.

We're here 24/7 at 1.800.672.4399