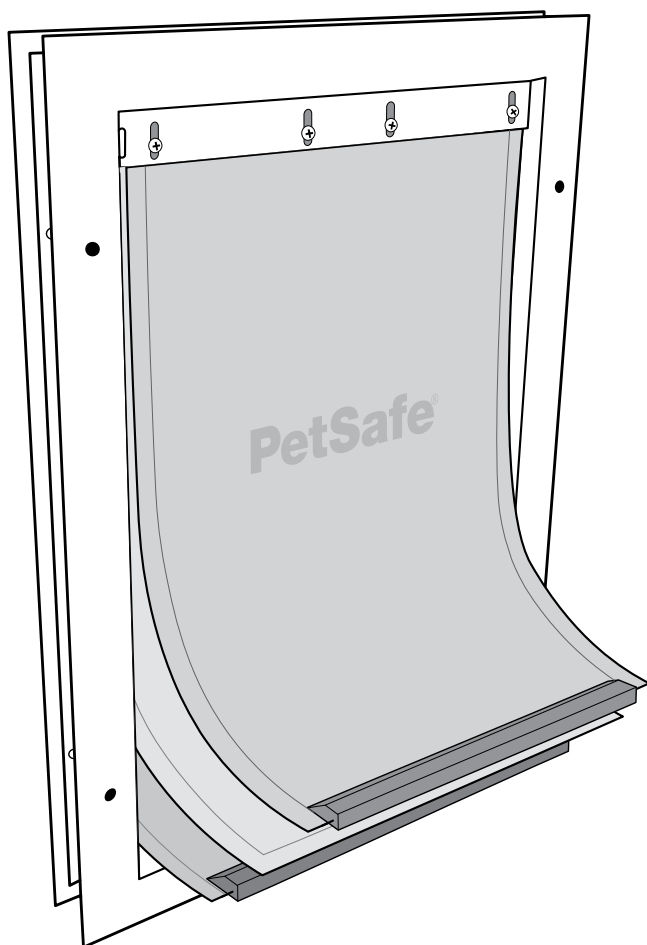




## Installation Guide

### Extreme Weather Aluminum Pet Door™



PPA00-16850  
PPA00-16851  
PPA00-16852

Please read this entire guide before beginning.

## Welcome

You and your pet were made for each other. Our aim is to help you to have the best companionship and the most memorable moments together. Your new pet door is designed to protect your home from extreme temperatures while giving your pet the freedom to come and go.

We know that safe pets make happy owners. Before getting started, please take a moment to read through the important safety information. If you have any questions, please don't hesitate to contact us.

---

Hereinafter Radio Systems Corporation and any other affiliate or Brand of Radio Systems Corporation may be referred to collectively as "We" or "Us".

# IMPORTANT SAFETY INSTRUCTIONS

Explanation of attention words and symbols used in this product manual



This is the safety alert symbol. It is used to alert you to potential personal injury hazards. Obey all safety messages that follow this symbol to avoid possible injury or death.

## **WARNING**

WARNING indicates a hazardous situation which, if not avoided, could result in death or serious injury.

## **NOTICE**

NOTICE is used to address practices not related to personal injury.

---

## **WARNING**

- When children are present in the home, it is important to consider the pet door while childproofing. The pet door may be misused, potentially giving children access to hazards that may be on the other side of the pet door. Owners with swimming pools should ensure that children are monitored at all times and that the swimming pool has adequate barriers to entry. If a new hazard is created inside or outside of your home, which may be accessed through the pet door, Radio Systems Corporation recommends that you properly guard access to the hazard or remove the pet door. The closing panel or lock, if applicable, is provided for aesthetic and energy efficiency purposes and is not intended as a security device. Radio Systems Corporation will not be liable for unintended use, and the owner of this product accepts full responsibility for oversight of the opening that it creates.
- To avoid risk of severe injury, follow all safety instructions for your power tools, and wear safety glasses during use.
- The user, prior to installation, must become familiar with all building regulations that may affect the installation of the pet door and determine, along with a licensed contractor, its suitability in a given installation. This pet door is not a fire door. It is important for the owner and contractor to consider any risks that may be present inside or outside of the pet door and any risks that may be created by subsequent changes to the property and how they may relate to the existence and use, including misuse, of the pet door.
- If cutting a metal surface, be aware of sharp edges to prevent injury.
- It is not possible to cut holes in tempered or double pane glass except at the time of manufacture. Do not install the pet door in a glass door or window.

## **NOTICE**

- Keep these instructions, and ensure that they are transferred to any new owner of the property.
- If the mounting surface (door, wall, etc.) is not level, the pet door must still be installed level to swing properly.
- When applying the cutting template, there should be a minimum of 3 inches between the bottom and sides of the door and the outer edge of the template to maintain the structural integrity of the door.
- Use a manual screwdriver to tighten screws. Do not overtighten. Overtightening can strip the screws or warp the pet door frame.

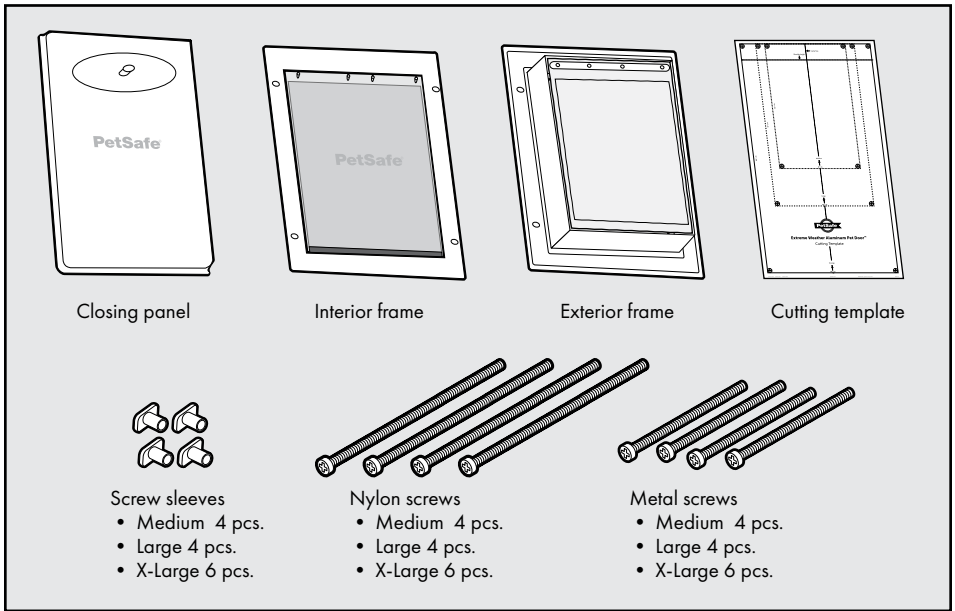
# **SAVE THESE INSTRUCTIONS**

---

## **Table of contents**

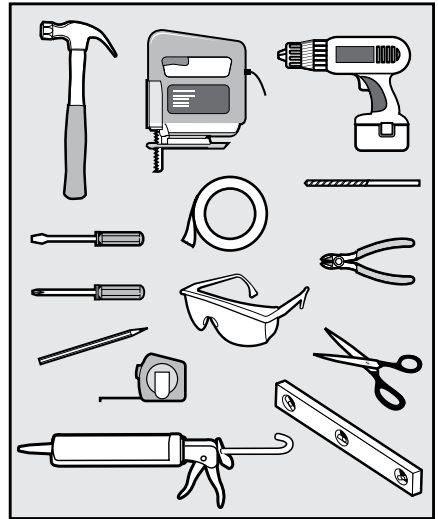
Kit includes.....	4
Tools needed.....	4
Mark the pet door location.....	5
Prepare the door.....	5
Cut the pet door opening.....	6
Drill holes for the frame.....	6
Install the pet door.....	7
Train your pet.....	7
Use the closing panel.....	8
Adjust or replace the flaps.....	8
Terms of use and limitation of liability.....	9
Warranty.....	9

## Kit includes



## Tools needed

- Tape measure
- Level
- Pencil
- Hammer and slotted screwdriver (if removing door from hinges to install pet door)
- Scissors
- Masking or painter's tape
- Drill
- 1/2-in drill bit
- 1/4-in drill bit
- Jigsaw (or keyhole saw) with appropriate blade for the material you will be cutting
- Phillips screwdriver
- Wire cutters
- Caulk
- Safety glasses



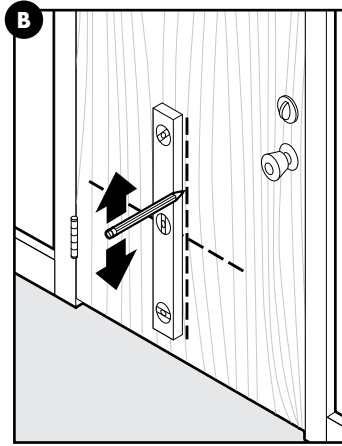
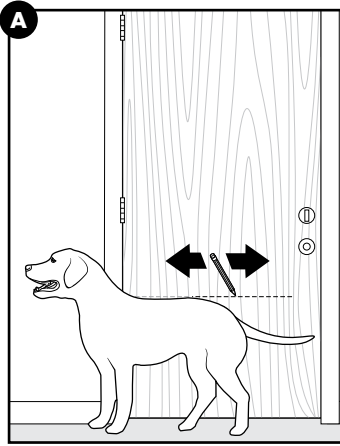
**NOTE:** Although the instructions in this guide explain how to install the pet door in a door, it can also be installed in most walls; the installation procedure is the same. The pet door is not designed to be installed in glass. If installing the pet door in a door or wall with a thickness of:

- More than 2 inches, you may need additional tools and materials, such as wood framing.
- Less than 1 1/2 inches, you will need to purchase an Installation Adaptor. Visit [www.petsafe.com](http://www.petsafe.com) or contact Customer Care.

## Mark the pet door location

1. Measure and mark your pet's shoulder height on the inside of the door where you will install the pet door (**A**).
2. Using a level, draw a vertical line where you want the center of the pet door to be located (**B**).

The pet door must be level to swing properly.



## Prepare the door

3. If possible, remove the door from its hinges (**C**) and place it on a raised level surface, such as two saw horses (**D**). The interior side of the door should face up. Make sure there is nothing underneath the door where you will cut the opening for the pet door.

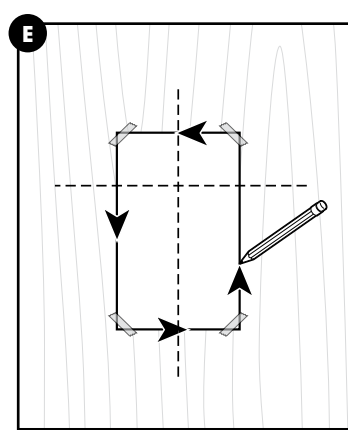
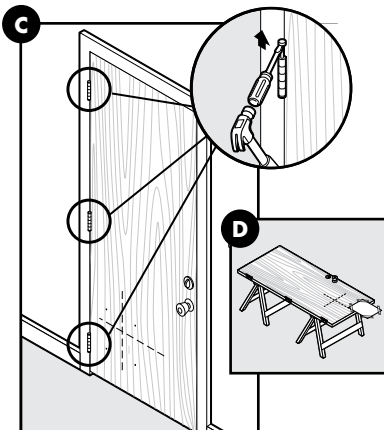
If necessary, you can install the pet door without removing the door from its hinges.

4. Cut out the correct size cutting template for your pet door.
5. Tape the cutting template to the interior side of the door, matching the shoulder and center lines on the template with the shoulder and center lines you drew previously (**E**).

### NOTICE

Make sure there is a minimum of 3 inches between the outer edge of the cutting template and the bottom and sides of the door to maintain the structural integrity of the door.

6. Trace the outside edge of the cutting template, making sure to connect the corners.
7. Remove the cutting template and any excess tape from the door.



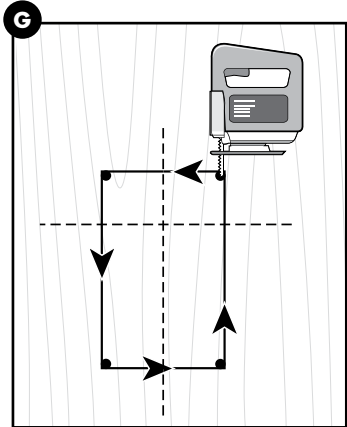
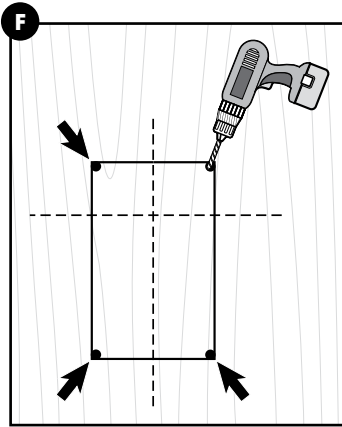
## Cut the pet door opening

**NOTE:** When drilling holes and cutting the opening for the pet door, wear safety glasses and make sure to hold the drill and jigsaw with both hands and at a 90-degree angle to the door.

8. Drill 1/2-inch holes just inside the corners of the drawn template (F).

These will be the pilot holes for the saw blade.

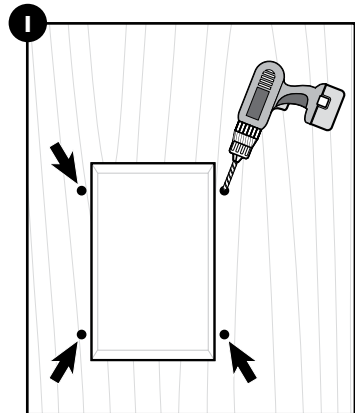
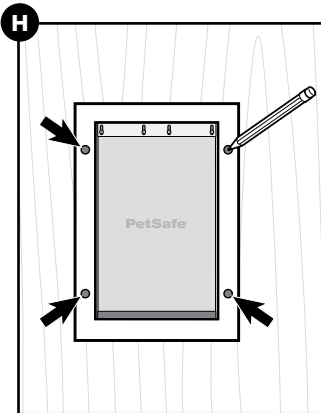
9. Cut between the holes you just drilled, along the drawn template lines (G).



## Drill holes for the frame

10. Place the interior frame (the frame with one flap) in the opening and mark the screw holes (four holes for the medium and large pet doors, six holes for the x-large pet door) (H).

11. Remove the frame and drill 1/4-inch holes in the marked locations (I).



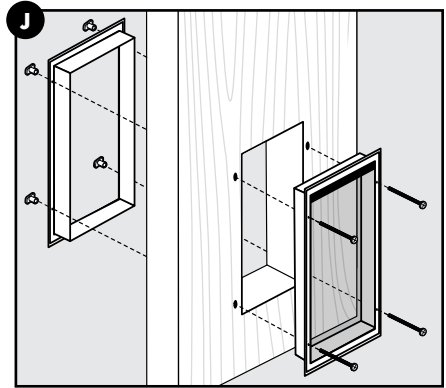
## Install the pet door

**NOTE:** If you purchased an Installation Adaptor, place the installation adaptor plate on either the interior or exterior pet door frame before installation. The Installation Adaptor is necessary only if you are installing the pet door in a door less than 1 1/2 inches thick. For more details, please contact Customer Care.

12. Place the interior frame (the frame with one flap) in the opening on the interior side of the door (**J**).
13. Place the exterior frame (the frame with two flaps) in the opening on the exterior side of the door.
14. Insert screws through the holes in the interior and exterior frames and match screw sleeves to the end of each screw.

**NOTE:** The pet door comes with both metal and nylon screws; use whichever you prefer. The nylon screws are flexible and can be easily trimmed for a perfect fit with any door thickness.

15. Tighten the screws until the frames come together and the screw sleeves are flush with the exterior frame.



### NOTICE

Use a manual screwdriver to tighten screws. Do not overtighten. Overtightening can strip the screws or warp the pet door frame.

16. If using nylon screws, cut off the excess screw length with wire cutters and remove any rough edges with a metal file.
17. For best weather resistance, caulk around the exterior frame and inside the threshold where the frames meet.
18. If you removed your door from its hinges, rehang it now.

## Train your pet

19. Lift the flaps or tape them open as you use praise and treats to encourage your pet to go through the pet door (**K**).

It may help if you are on one side of the door and your pet is on the other. Do not force your pet through the pet door.

20. After your pet has gone through the pet door a few times, allow the flaps to touch your pet's back so he will become comfortable using the pet door on his own.



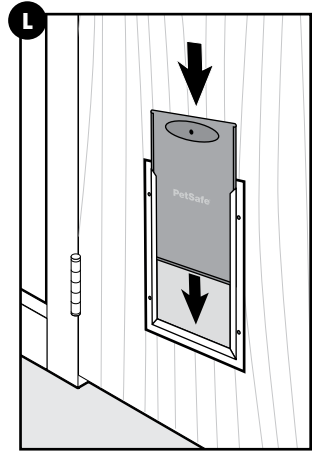
## Use the closing panel

The closing panel is useful during inclement weather, or to prevent your pet from using the pet door at certain times.

To use the closing panel, slide it into the grooves at each side of the pet door frame (L). Pull and release the latch to lock it in place.

To remove, pull the latch and slide the closing panel up and off the pet door frame.

You can use an additional closing panel (sold separately) on the exterior frame of the pet door for improved weather resistance.

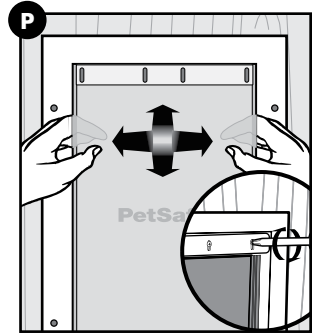
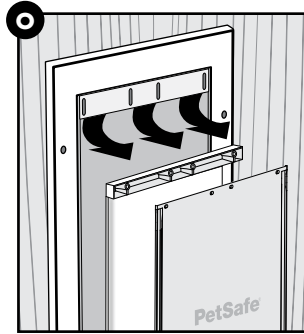
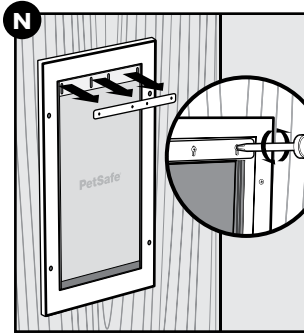


## Adjust or replace the flaps

The pet door's vinyl flaps may shrink or expand due to seasonal weather changes. Replace or adjust the flaps when necessary for maximum energy efficiency.

### Vinyl flap replacement

1. Remove the flap screws from the top of the pet door frame (N).
2. Remove the vinyl flap and the flap clamp (O). On the exterior frame, the insulated flap is attached to the flap clamp.
3. Insert the new vinyl flap between the pet door frame and the flap clamp. The PetSafe® logo should be readable on the vinyl flap.
4. Reinsert and partially tighten the screws.
5. Adjust the vinyl flap horizontally and vertically so it is centered in the pet door frame and the magnets on the flap and frame make contact (P).
6. Tighten the screws.



### Vinyl flap adjustment

1. Slightly loosen the flap screws at the top of the pet door frame (N).
2. Adjust the vinyl flap horizontally and vertically so it is centered in the pet door frame, and the magnets on the flap and frame make contact (P).
3. Tighten the screws.



# Terms of use and limitation of liability

## 1. **Terms of use**

The use of this product is subject to your acceptance without modification of the terms, conditions and notices contained with this product. Use of this product implies acceptance of all such terms, conditions and notices. If you do not wish to accept these terms, conditions and notices, please return the product, unused, in its original packaging and at your own cost and risk to the relevant Customer Care location together with proof of purchase for a full refund.

## 2. **Proper use**

Proper use includes, without limitation, reviewing the entire product manual and any specific safety information statements. The specific temperament or size/weight of your pet may not be suitable for this product. If you are unsure whether this product is appropriate for your pet, please consult your veterinarian or certified trainer prior to use. For products used with pets where training is desired, Radio Systems Corporation recommends that these training products are not used if your pet is aggressive and accepts no liability for determining suitability in individual cases.

## 3. **No unlawful or prohibited use**

This product is designed for use with pets only. This product is not intended to harm, injure or provoke. Using this product in a way that is not intended could result in violation of Federal, State or local laws.

## 4. **Limitation of liability**

In no event shall Radio Systems Corporation or any of its associated companies be liable for (i) any direct, indirect, punitive, incidental, special or consequential damage and/or (ii) any loss or damages whatsoever arising out of or connected with the use or misuse of this product. The Purchaser assumes all risks and liability from the use of this product to the fullest extent permissible by law.

## 5. **Modification of terms and conditions**

Radio Systems Corporation reserves the right to change the terms, conditions and notices governing this product from time to time. If such changes have been notified to you prior to your use of this product, they shall be binding on you as if incorporated herein.

---

## Warranty

This product has the benefit of a non-transferable limited one-year manufacturer's warranty. Complete details of the warranty applicable to this product and its terms can be found at [www.petsafe.com](http://www.petsafe.com) and/or are available by contacting Customer Care:

Radio Systems Corporation; 10427 PetSafe Way; Knoxville, TN 37932 USA





Radio Systems Corporation  
10427 PetSafe Way  
Knoxville, TN 37932  
+1 (800) 732-2677  
petsafe.com  
400-2437

©2019 Radio Systems Corporation