

CLEANING AND MAINTENANCE

Give the fountain parts a quick rinse and dry **at least every 2 weeks** to ensure optimal operation of your pet fountain.

To clean the pump, remove from bowl, disassemble the parts and clean each part separately.

Dry all parts thoroughly after cleaning and prior to assembling back on.

GETTING YOUR PET TO USE THE FOUNTAIN

Some pets may need extra time to cozy up to their new watering spot. If your pal doesn't take to this hydrating oasis right away, place it next to their bowl to help encourage them to use it.

STORAGE

- Keep in a cool, dry place away from children and pets.
- Avoid storing fountain near shocking or vibrating objects

WARNINGS

Risk of injury, fire or electric shock!

- For pet use only.
- Use close supervision when using near children.
- Never wash the power adapter.
- Do not hold power adapter under running water.
- Only the pump is waterproof. Never immerse the power adapter in water or other liquids.
- Pet fountain should always be unplugged when: not in use, before and during cleaning, and before putting on or taking off any parts.
- Regularly check water level and never let it drop below the MIN level. The submersible pump should never run without adequate water, as it can overheat.
- Never let your pet chew on the cable as there is a risk of an electric shock. If your pet is known to chew cables, a gravity waterer may be a better option. Discontinue use if the cable is chewed.
- Do not use any harsh detergents, wire brushes or any utensils to clean.
- Do not pull on the cable to unplug. Only grasp the power adapter to unplug.
- Do not use if cable is damaged or if the product is dropped.

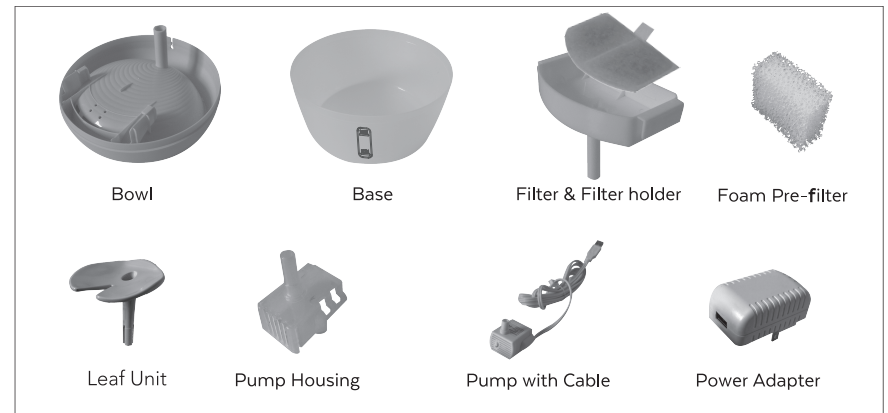
QUESTIONS?

CALL OUR FRIENDLY CUSTOMER SERVICE TEAM ANYTIME.
WE'RE HERE 24/7! 1-800-67-CHEWY (672-4399)

WHIMSICAL LEAF ROUND DOG & CAT FOUNTAIN INSTRUCTION MANUAL

GET SET TO HYDRATE!

Before assembling, check out all the parts included:



INTENDED USE

- Intended to be used as a water source for your pets. For household use only.
- For pet use only.
- Use only in dry indoor areas.
- Not for outdoor use.
- Do not use with the power adapter close to a tub or sink.
- Improper use can result in damages or injuries.

BEFORE FIRST USE

- Remove all packaging materials.
- Check product for any damages before assembling and using.
- Clean the product with warm soapy water. Do not clean the power adapter.
- Soak filter in water for 2 minutes and rinse for 30 seconds.

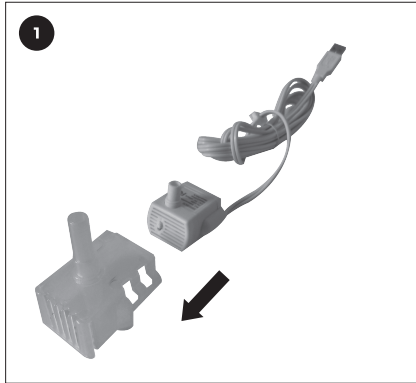
DANGER - RISK OF SUFFOCATION!

Keep any packaging materials away from children and pets.

PUTTING IT TOGETHER

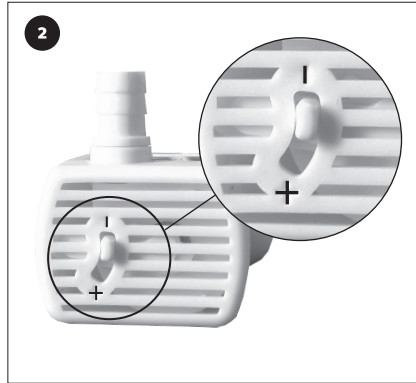
Save these instructions for future reference.

Use all parts included for assembly and follow all instructions carefully.



STEP 1 - SET UP PUMP

Locate the **pump** and **pump housing**. The pump snaps into place underneath the pump housing.



STEP 2 - LOCATE THE SLIDER

Move the pump's slider up/down to adjust the water flow.

TIP: The recommended starting default location of this product is the lowest one.



STEP 3 - ATTACH PUMP TO BOWL

Insert the **pump** into the **bowl** bottom as illustrated. Push the pump's cable into the groove on the bowl. Insert the **foam** into the slot in the pump. **TIP:** The bowl is where your pet will drink from.



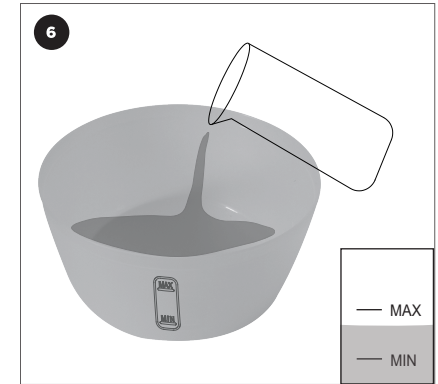
STEP 4 - RINSE THE FILTER

Locate the **filter**. Soak the filter for 2 minutes and rinse for 30 seconds to flush away loose charcoal dust. This dust is normal and harmless to your pet but may affect the life of your filter.



STEP 5 - INSTALL FILTER ON THE BASE

Locate the **base**. **TIP:** This is where the water goes. Click the filter onto the base as illustrated.



STEP 6 - FILL BASE WITH CLEAN WATER

Fill with clean water. The level is just right when in between MIN and MAX on the water level indicator.



STEP 7 - CONNECT BOWL AND BASE

Place the bowl on top of the base, aligning the arrows on both to connect them.



STEP 8 - INSERT THE LEAF UNIT INTO THE HOLE AND PLUG IN

CAUTION

RISK OF ELECTRIC SHOCK! When not in use, always leave unplugged.

Do not turn the Pet Fountain on without filling with water.

Only use the Pet Fountain on a dry, flat, water-resistant surface.

TURN IT ON: Connect the pump cable to the power adapter, then plug into a main socket. Always make sure there is enough water in the container before turning on.

TURN IT OFF: Unplug the power adapter. Never pull on the cable to unplug.

TIP: To adjust the water flow, use the built-in slider on the pump.

IMPORTANT

Pump incorporates a low water level sensor.

The pump automatically stops operating when bowl water level is below the minimum level.