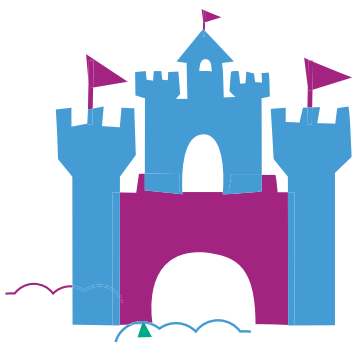
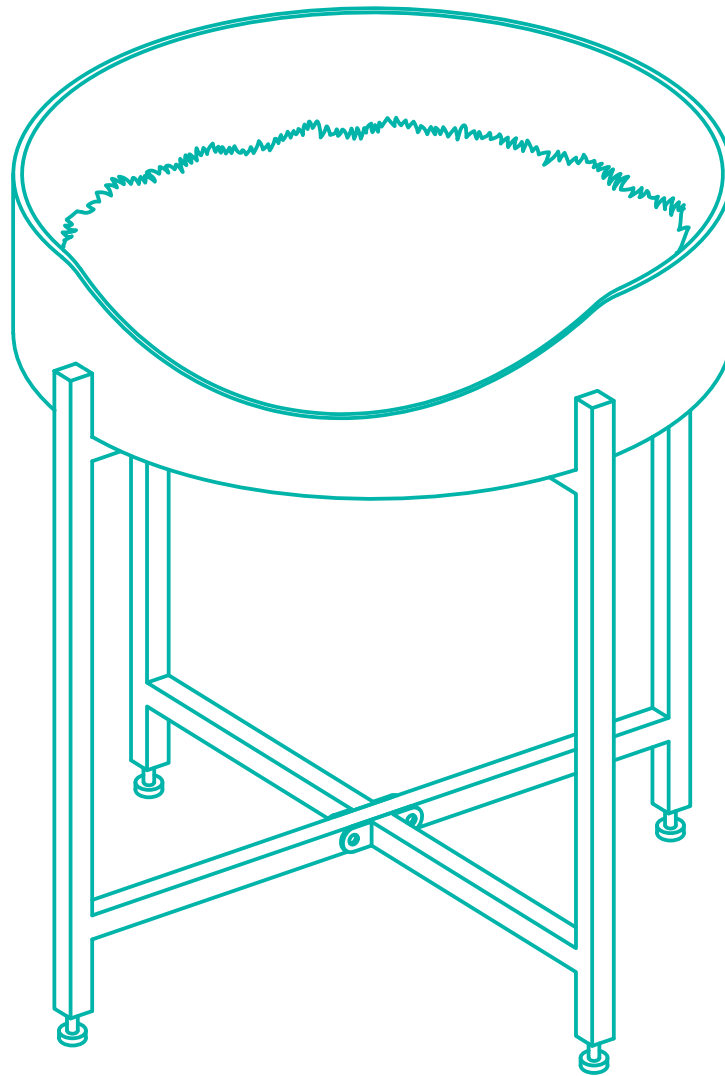
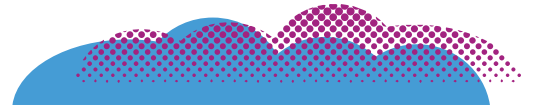


frisco.  
better pet goods



**SKU# 296671**  
**OVERALL DIMENSIONS**  
16.92in L x 16.92in W x 18.11in H  
43cm L x 43cm W x 46cm H

# WROUGHT IRON CAT BED-ONE TIER

## WARNINGS & CAUTIONS

**PLEASE READ AND FOLLOW ALL WARNINGS AND INSTRUCTIONS TO AVOID PET INJURY OR PROPERTY DAMAGES.**

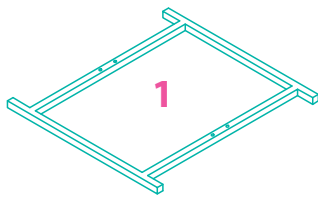
- Keep all tools and instructions in a safe place for future reference.
- Follow the instructions carefully and make sure you've completed each step.
- This pet bed is intended for cat use only, please keep children away.
- Keep all small parts away from children / pets to avoid choking hazards.
- Never climb, rock, shake, step or hang on the pet bed.
- Place your pet bed indoors, away from direct sunlight or damp areas.
- Pet beds should be placed on a flat, level surface for stability.
- Check your pet bed often for loose screws or parts that might need re-tightening.
- If your pet bed gets torn or damaged, please discard it.
- The product photo may vary slightly from your fully assembled pet bed as this product is continually being enhanced.

## CLEANING INSTRUCTIONS

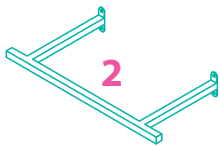
Spot clean with a damp cloth.

## COMPONENTS

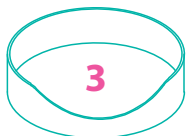
Prior to assembly, be sure to identify and sort all components shown below.



1PC Iron Frame







2PCS Iron Frame



1PC Bed

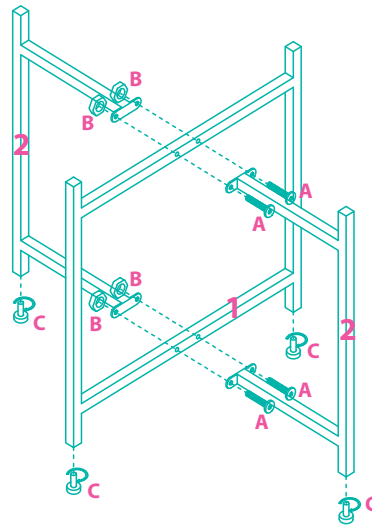


1PC Cushion

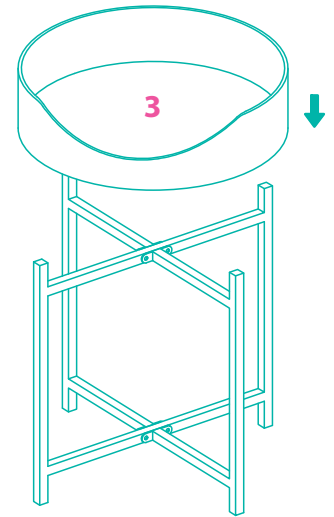
<b>A</b>		6 x 25mm	4PCS
<b>B</b>		M6 x 5mm	4PCS
<b>C</b>		15 x 23mm	4PCS
		5mm Wrench	1PC

## ASSEMBLY INSTRUCTIONS

### STEP 1



### STEP 2



### STEP 3

