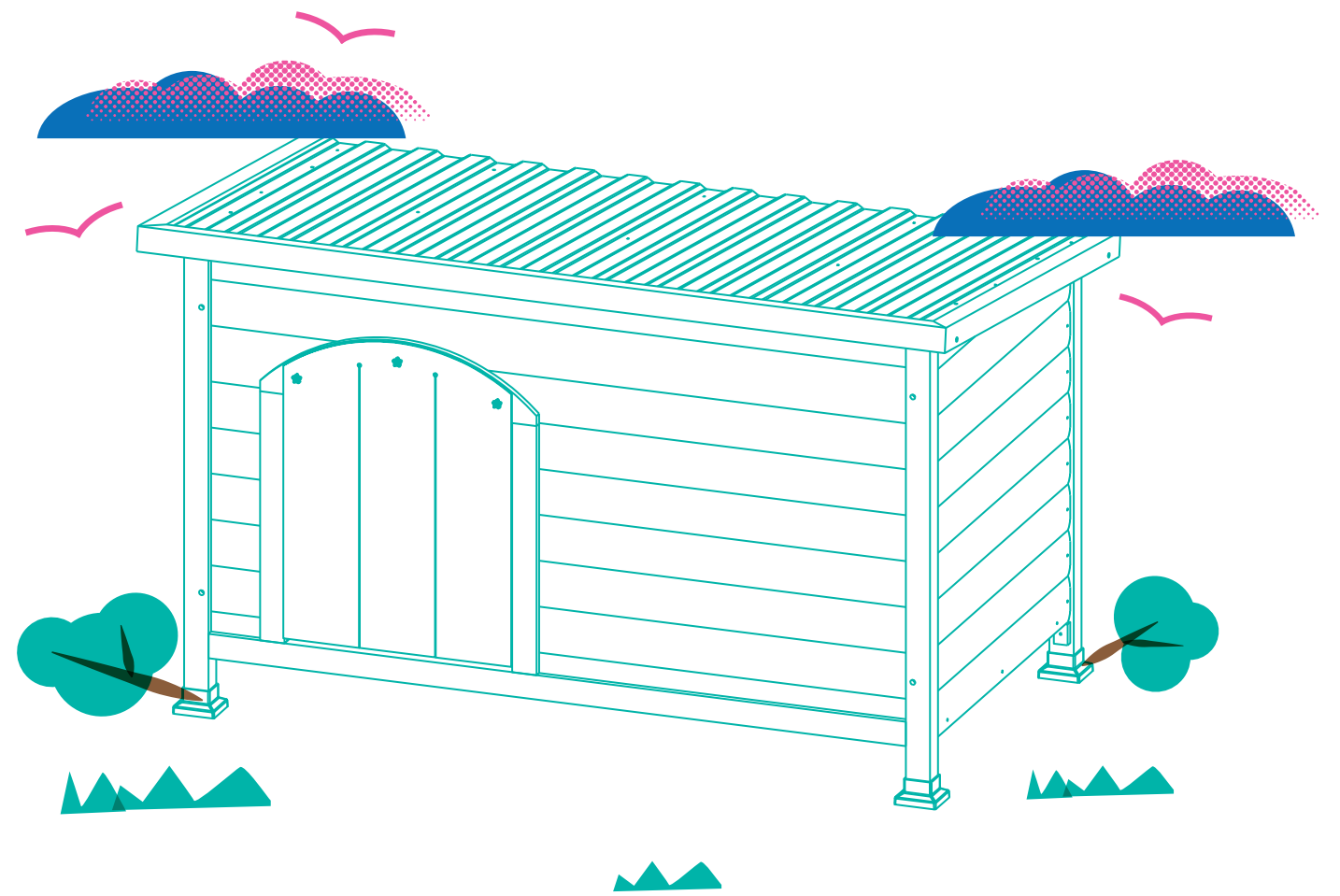
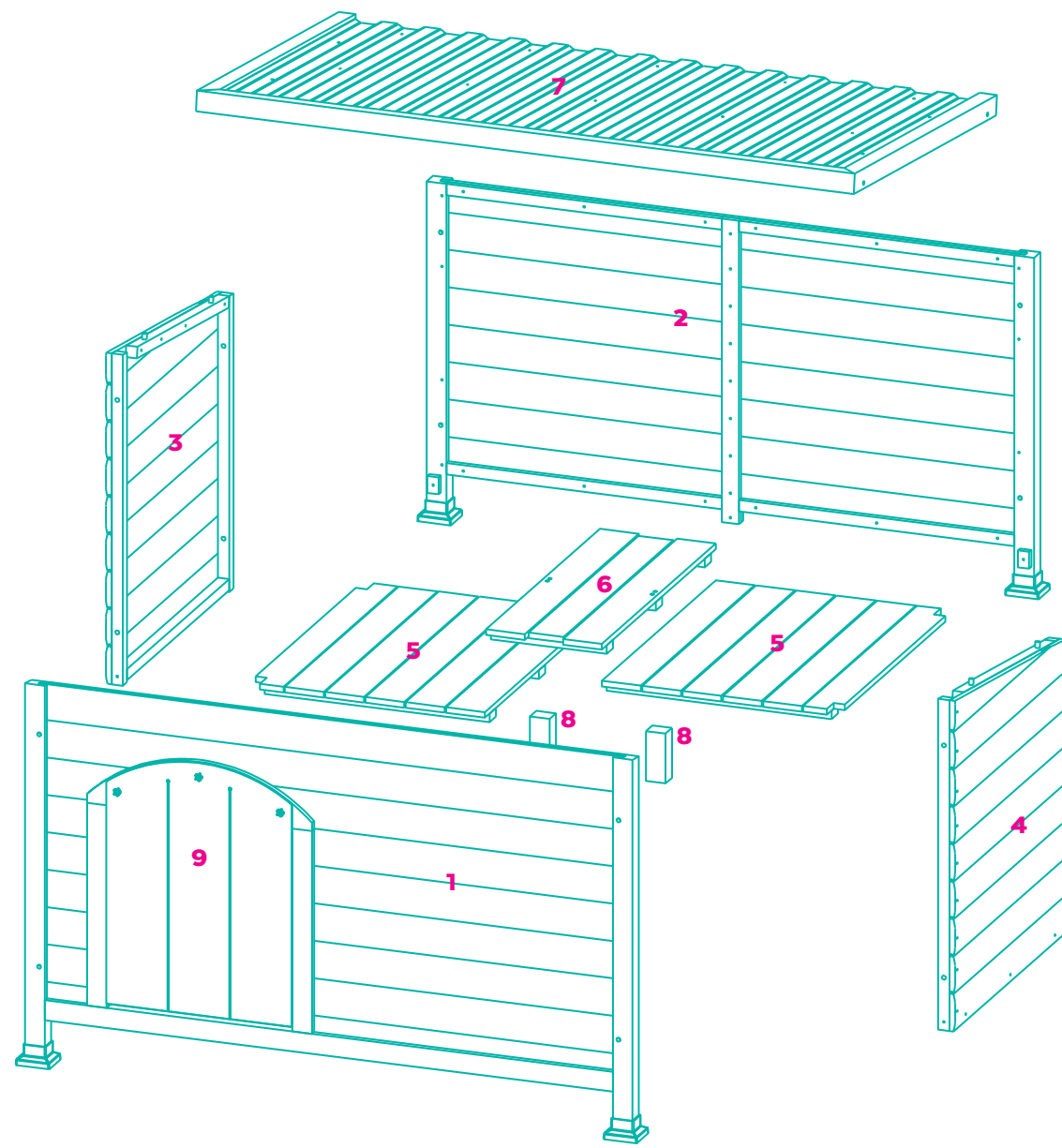


216mm

216mm

frisco.
better pet goods

OVERVIEW



SKU# 304029 & 304030

WOODEN DOG HOUSE
INSTRUCTION MANUAL

Questions? Call our customer service 1-800-672-4399

WARNINGS & CAUTIONS

PLEASE READ AND FOLLOW ALL WARNINGS AND INSTRUCTIONS TO AVOID PET INJURY OR PROPERTY DAMAGES.

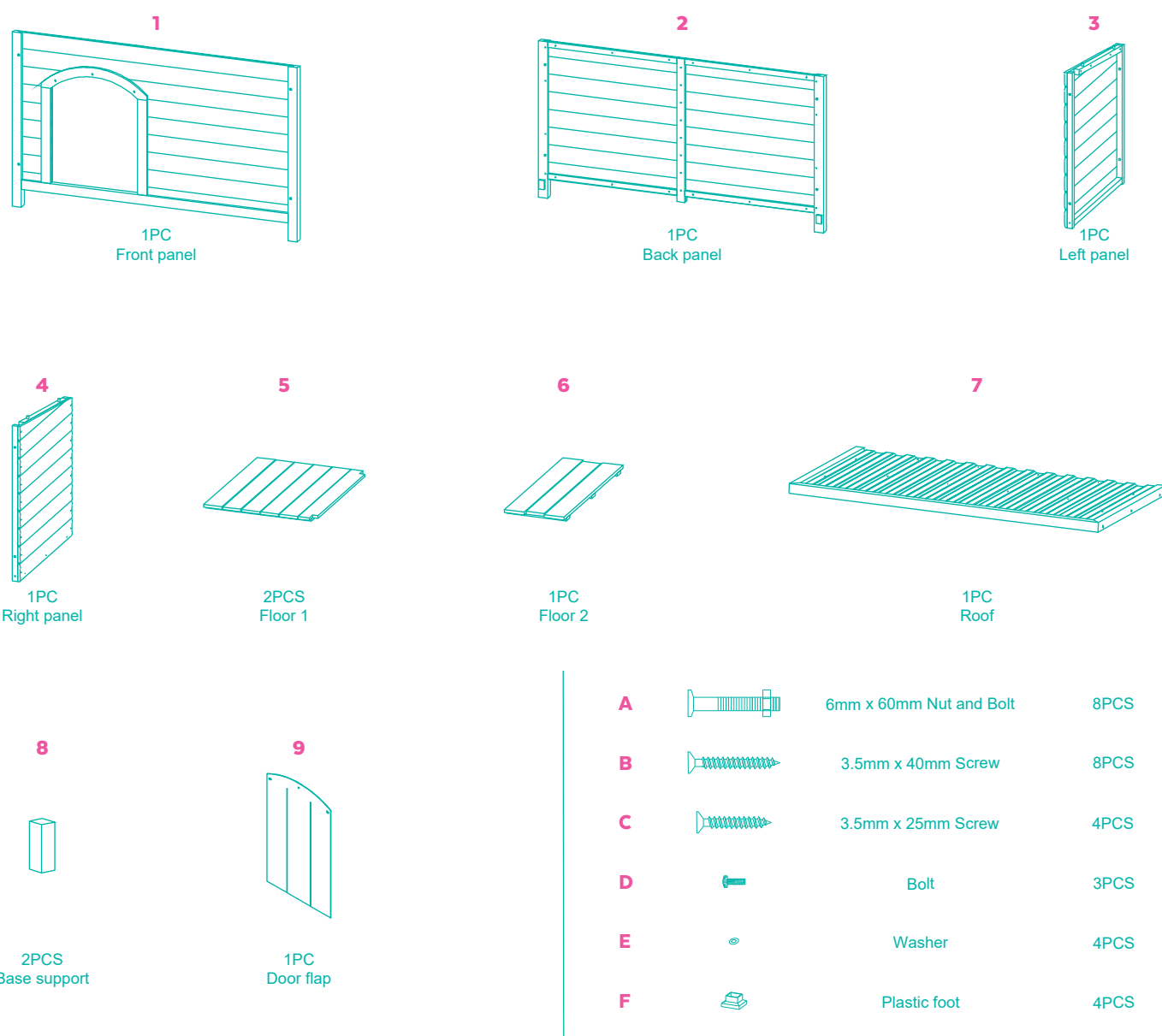
- Follow the instructions carefully and make sure you've completed each step.
- Keep away from heat sources and open flames.
- Do not sit on, climb on or shake the product!
- This wooden product is suitable for providing temporary shelter for your pets in an outdoor environment.
- This product has been treated with a harmless water-based wood preservative solution, which provides basic protection against the elements.
- This product should be re-treated at least once a year with a similar harmless solution to protect the wood.
- Choose a location that is leveled and dry, as well as being as sheltered from the weather as possible.
- This product is not for human use. Please, never allow children to play in or on the house. For dog use only.

GEAR UP

You'll need a Phillips head screwdriver (not included) to complete the assembly.

COMPONENTS

Prior to assembly, be sure to identify and sort all components shown below.

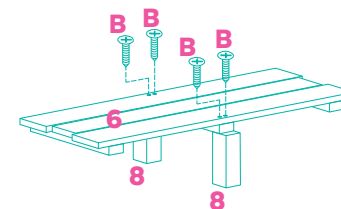


Questions? Call our customer service 1-800-672-4399

ASSEMBLY INSTRUCTIONS

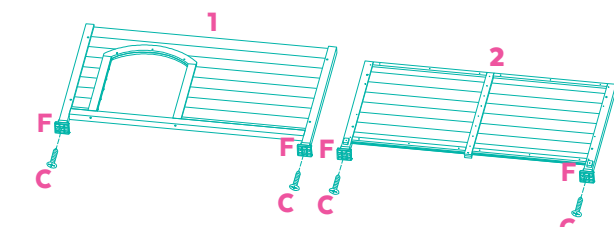
Tip: This item has predrilled holes to make set up easier for your dog's home.

STEP 1



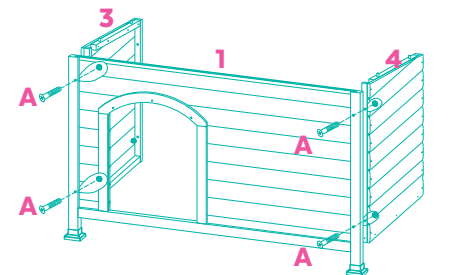
Fix the Base Support (8) to the underside of the Floor (6) using Screw (B).

STEP 2



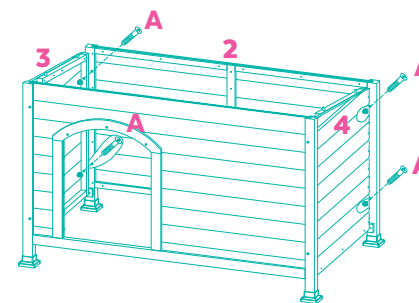
Attach Plastic Feet (F) to four legs of Panel (1) and (2) using Screw (C).

STEP 3



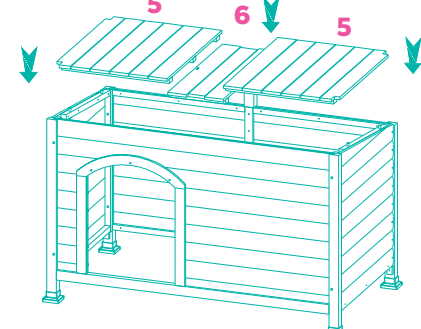
Connect Panel (1) and Panel (3) using Nut and Bolt (A). Connect Panel (1) and Panel (4) using Nut and Bolt (A). For usage of Nut and Bolt: Unscrew the nut from the screw, insert the screw into the opening, attached the nut to the bottom of the screw once the screw is fully inserted into the opening to lock the screw into place.

STEP 4



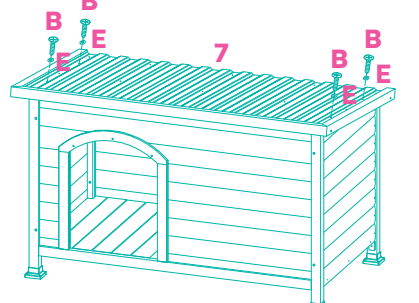
Connect Panel (2) and Panel (3) using Nut and Bolt (A). Connect Panel (2) and Panel (4) using Nut and Bolt (A).

STEP 5



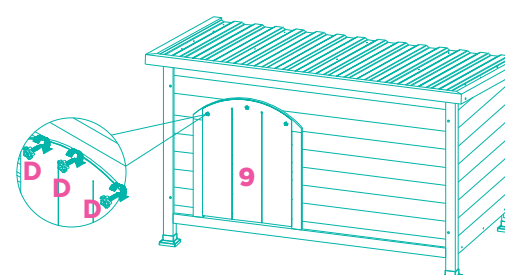
Insert Floor (6) and then Floor (5) into the dog house using the notches on the corners as guides. Middle part goes in first.

STEP 6



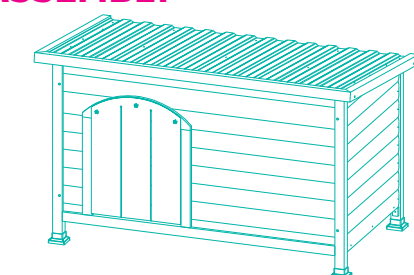
Attach the Roof (7) using Screw (B) and Washer (E). The roof will fall into place by resting on the dowels on the sides of the dog house.

STEP 7



Attach the Door Flap (9) to the entrance using Bolt (D).

FINISHED ASSEMBLY



Questions? Call our customer service 1-800-672-4399

280mm