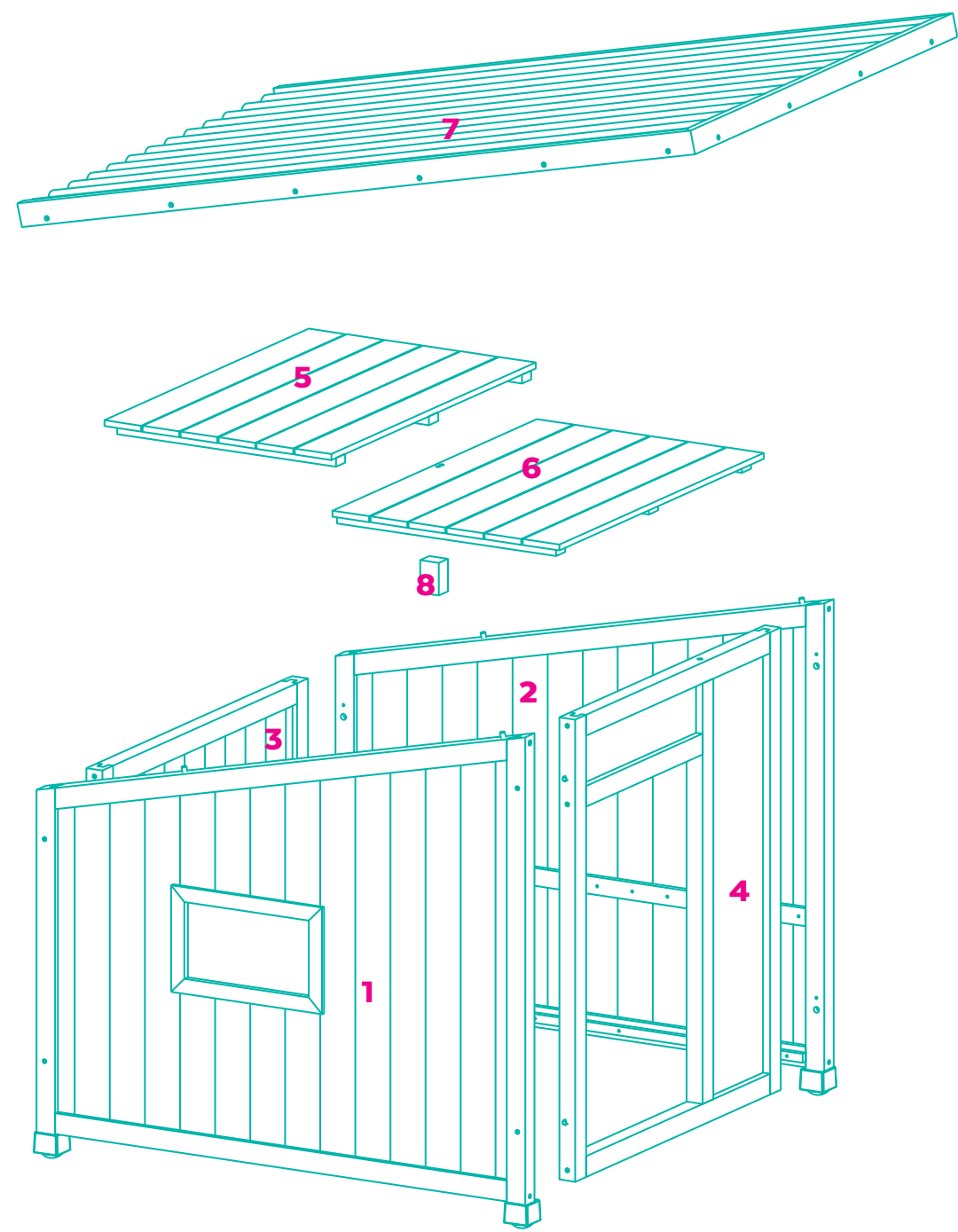


216mm

216mm

frisco.
better pet goods

OVERVIEW



Questions? Call our customer service 1-800-672-4399



SKU# 304037 & 304038

ASPEN WOODEN DOG HOUSE

INSTRUCTION MANUAL

WARNINGS & CAUTIONS

PLEASE READ AND FOLLOW ALL WARNINGS AND INSTRUCTIONS TO AVOID PET INJURY OR PROPERTY DAMAGES.

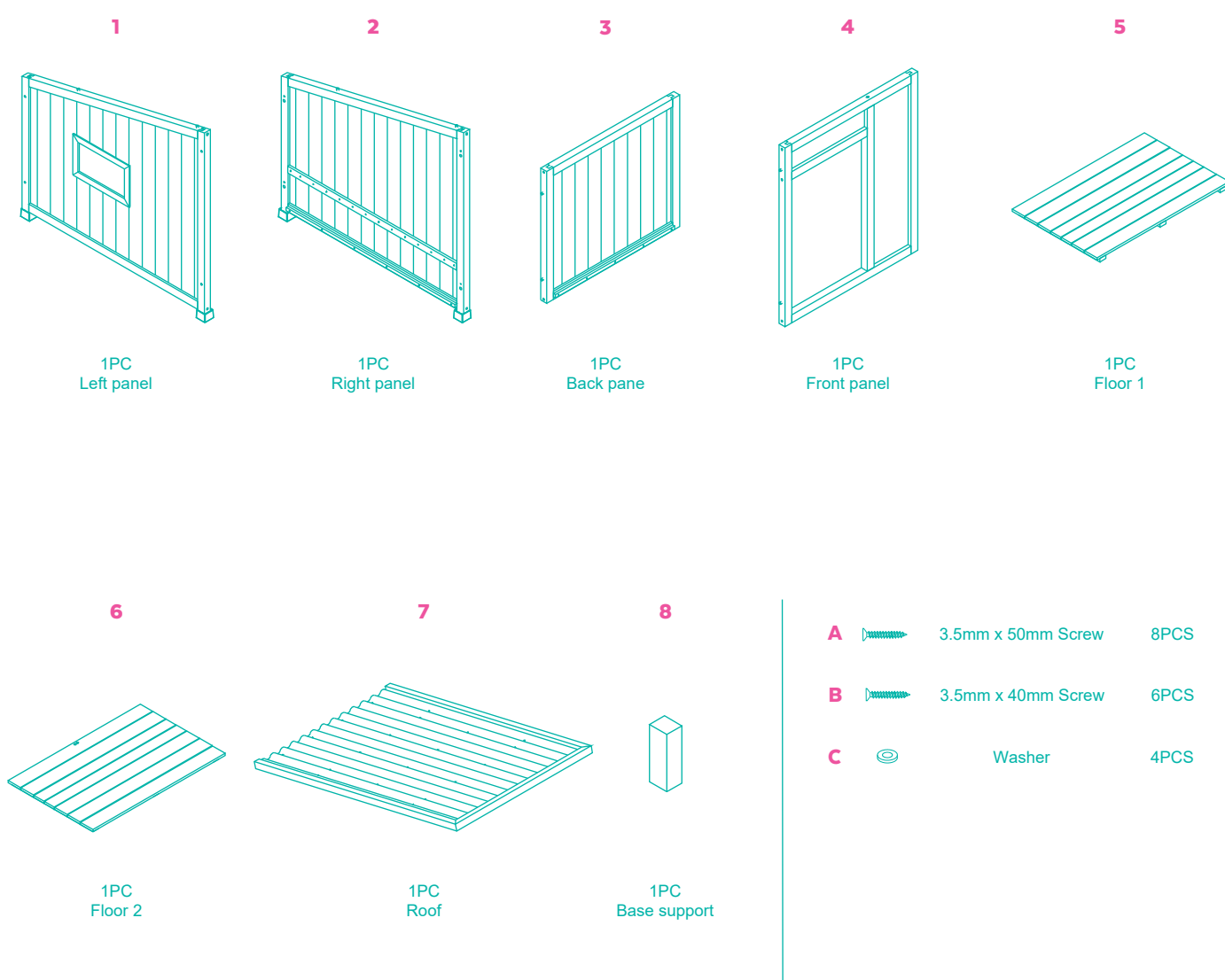
- Follow the instructions carefully and make sure you've completed each step.
- Keep away from heat sources and open flames.
- Do not sit on, climb on or shake the product!
- This wooden product is suitable for providing temporary shelter for your pets in an outdoor environment.
- This product has been treated with a harmless water-based wood preservative solution, which provides basic protection against the elements.
- This product should be re-treated at least once a year with a similar harmless solution to protect the wood.
- Choose a location that is leveled and dry, as well as being as sheltered from the weather as possible.
- This product is not for human use. Please, never allow children to play in or on the house. For dog use only.

GEAR UP

You'll need a Philips head screwdriver (not included) to complete the assembly.

COMPONENTS

Prior to assembly, be sure to identify and sort all components shown below.

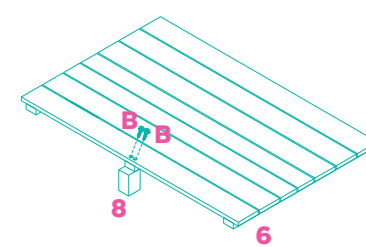


Questions? Call our customer service 1-800-672-4399

ASSEMBLY INSTRUCTIONS

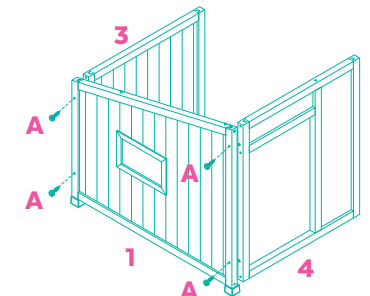
Tip: This item has predrilled holes to make set up easier for your dog's home.

STEP 1



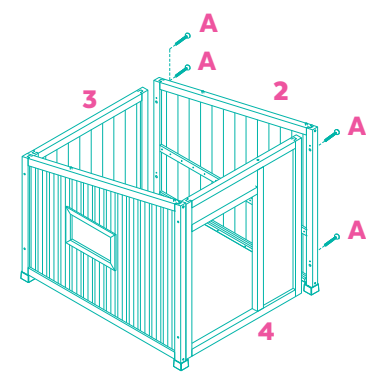
Fix the Base Support (8) to the underside of the Floor (6) using Screw (B).

STEP 2



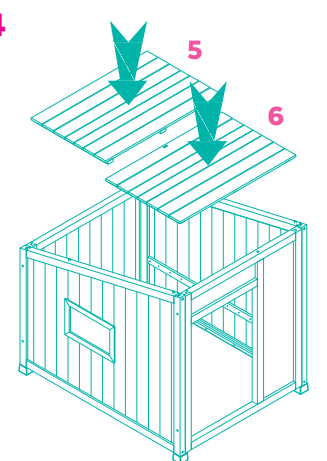
Connect Panel (1) and (4) using Screw (A). Connect Panel (1) and (3) using Screw (A).

STEP 3



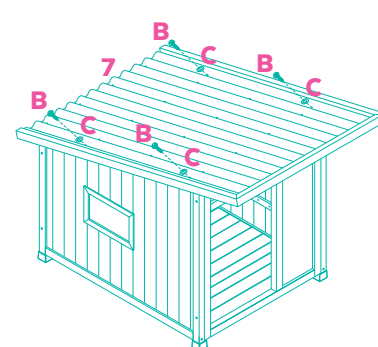
Connect Panel (2) and Panel (3) using Screw (A). Connect Panel (2) and Panel (4) using Screw (A).

STEP 4



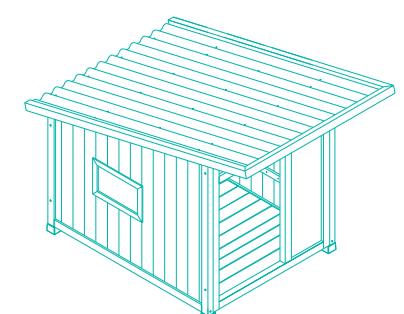
Insert Floor (6) and then Floor (5).

STEP 5



Attach the Roof (7) using Screw (B) and Washer (C).

FINISHED ASSEMBLY



Questions? Call our customer service 1-800-672-4399

280mm