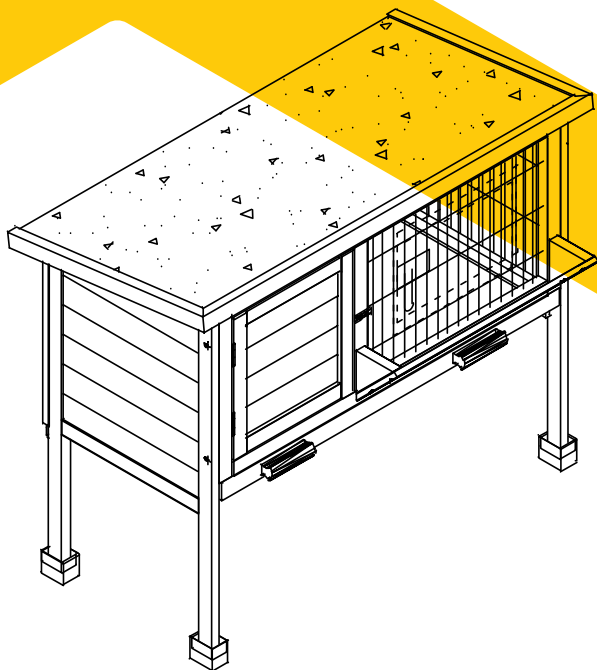


# INSTRUCTION MANUAL

AIR01-B



aivituvin

[www.aivituvin.com](http://www.aivituvin.com)



## NOTICE

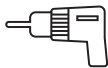
Please retain these instructions for future reference.

- Firmly secure all bolts,screws and knobs before use.
- Reconfirm that all bolts,screws,and knobs are secure every 90 days.
- Fasten screws loosely during initial assembly. Do not fully tighten screws until the item is completely assembled.
- Do not use or store this item in the proximity of open flame or flammable/combustible chemicals.
- Be aware that some parts are heavy and have sharp edges.
- Be aware that moving parts can injure,crush and cut.
- If any parts are missing,broken,damaged,or worn,stop using this product until repairs are made and/or factory replacement parts are installed.
- Do not use this item in a way inconsistent with the manufacturer's instructions as this could void the product warranty.

## TOOLS REQUIRED //



PHILLIPS  
SCREWDRIVER



DRILL  
(RECOMMENDED)



2PERSON  
ASSEMBLY



APPROXIMATELY  
30MIN. ASSEMBLY

## HARDWARE //

M3.5x45mm SCREW  
2PCS+1 spare



P1

M3.5x35mm SCREW  
4PCS+1 spare



P2

M3.5x30mm SCREW  
4PCS+1 spare



P3

M3.5x25mm SCREW  
4PCS+1 spare



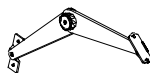
P4

M3.0x16mm SCREW  
10PCS+1 spare



P5

1PC



P6

4PCS



P7

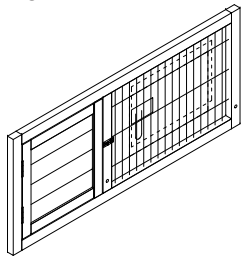
1PC



P8

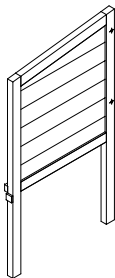
# PARTS

Front panel  
1PC



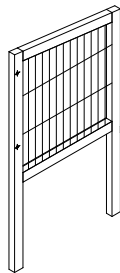
**A**

Left side panel  
1PC



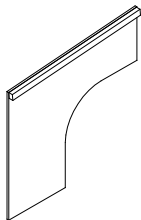
**B**

Right side panel  
1PC



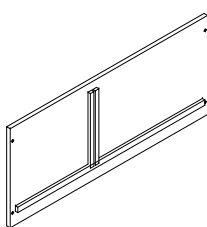
**C**

Divider panel  
1PC



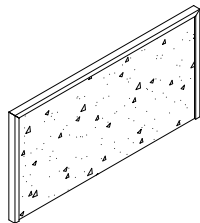
**D**

Back panel  
1PC



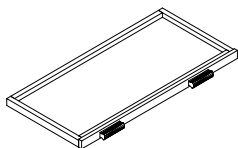
**E**

Roof  
1PC



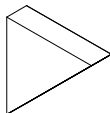
**F**

Sliding tray  
1PC



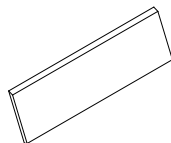
**G**

Side panel of feeder  
2PCS



**H**

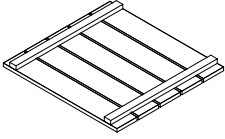
Front panel of feeder  
1PC



**I**

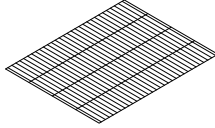
# PARTS //

Wood floor  
1PC



**J**

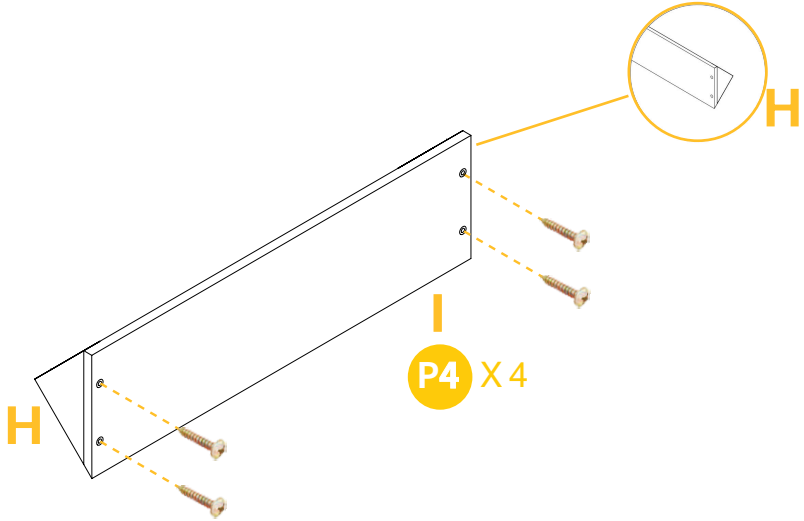
Wire mesh floor  
1PC



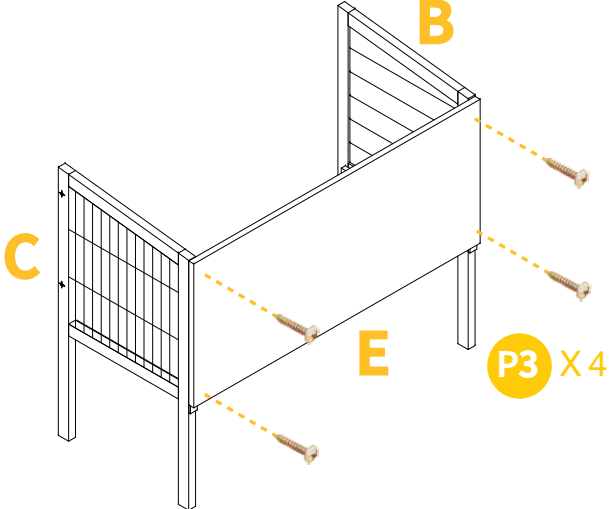
**K**

# PRODUCT ASSEMBLY //

**01** Attach Part H on two sides of Part I by 4 pcs of P4 screws.



**02** Attach a Part E to Part C and Part B by 4 pcs of P3 screws.

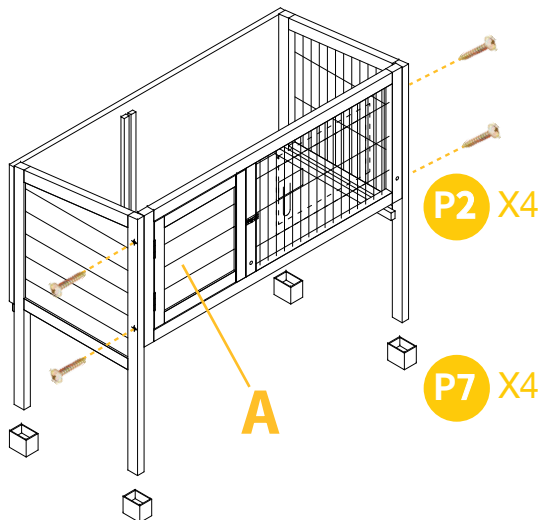


## PRODUCT ASSEMBLY //

**03**

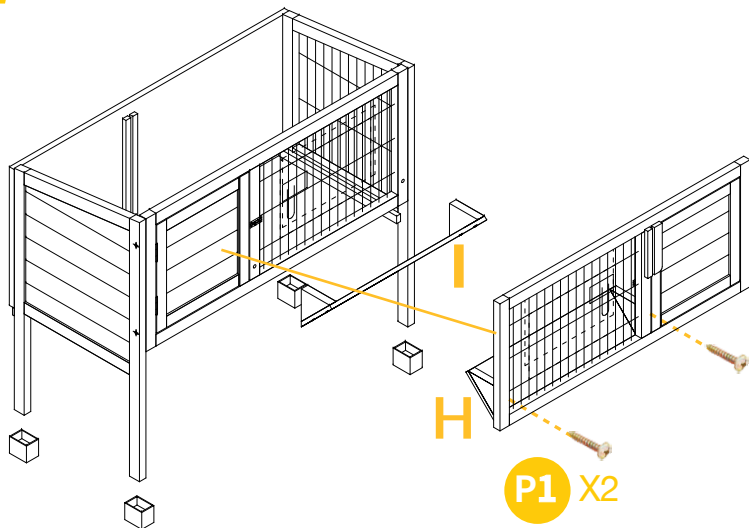
Attach front panel Part A to two side panels by 4pcs of P2 screws.

Attach 4pcs of P7 to the hutch leg.



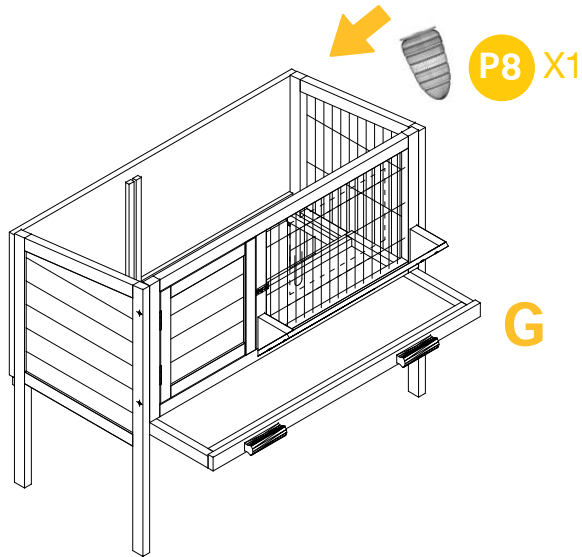
**04**

Screw the feeder inside to the front panel A by 2pcs of P1 screws.

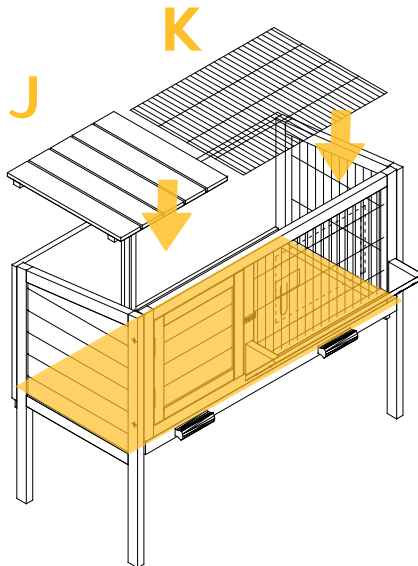


## PRODUCT ASSEMBLY //

**05** Slide in the tray Part G.



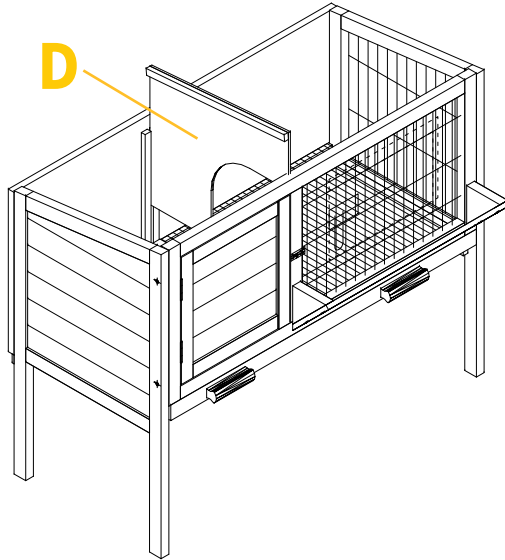
**06** Put the wood floor Part J and wire mesh floor Part K above the tray.



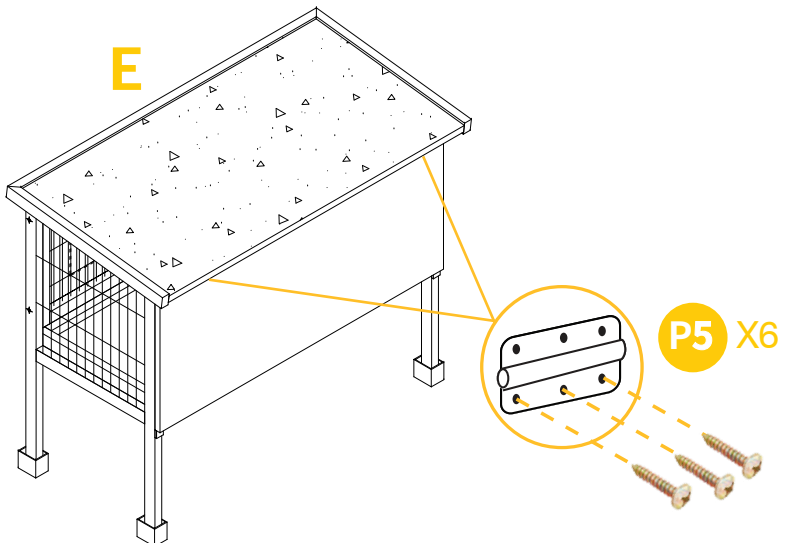


## PRODUCT ASSEMBLY //

**07** Put in the divider Part D.

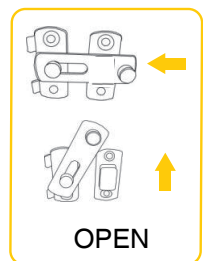
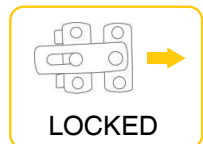
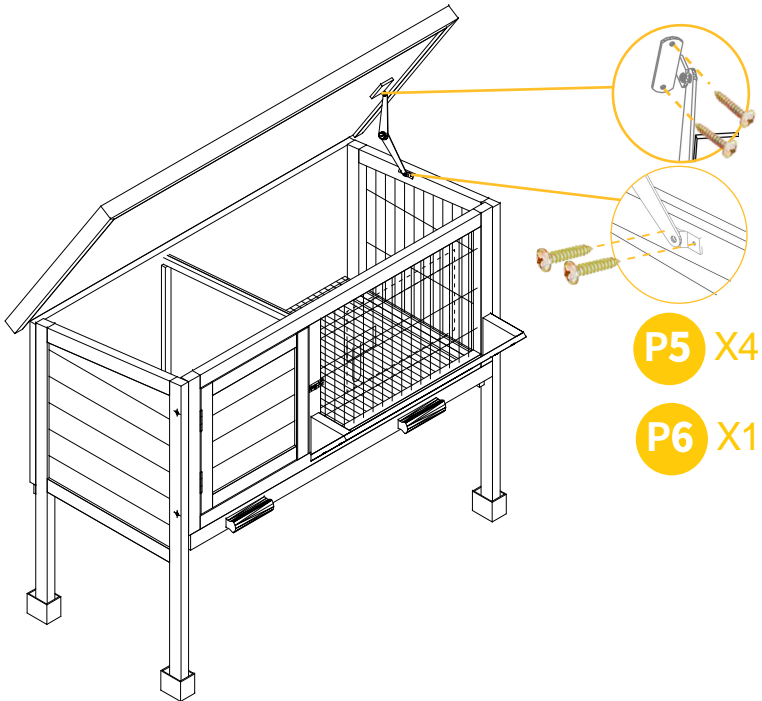


**08** Attach the roof Part E to the back panel by 6pcs of P5 screws. Notice to level up the hinge.



## PRODUCT ASSEMBLY //

**09** Attach the roof high P6 to the roof panel and right side panel by 4pcs of P5 screws.

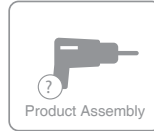


## HELP CENTER //

Question about your product? we're here to help contact us via



[service@aivituvn.com](mailto:service@aivituvn.com)



## THANK YOU //

Thanks for your support to Aivituvn.

Your satisfaction is our #1 priority.

Once the items are received, opened, and deemed to be faulty or other problems.

Pls contact us at [service@aivituvn.com](mailto:service@aivituvn.com) for the solution.

We will feedback to you within 24 hours.

If you are happy with the shopping ,welcome to share photos and thoughts with others .



**WARNING**

Manufacturer and seller expressly disclaim any and all liability for personal injury, property damage or loss, whether direct, indirect, or incidental, resulting from the incorrect attachment, improper use, inadequate maintenance, or neglect of this product.