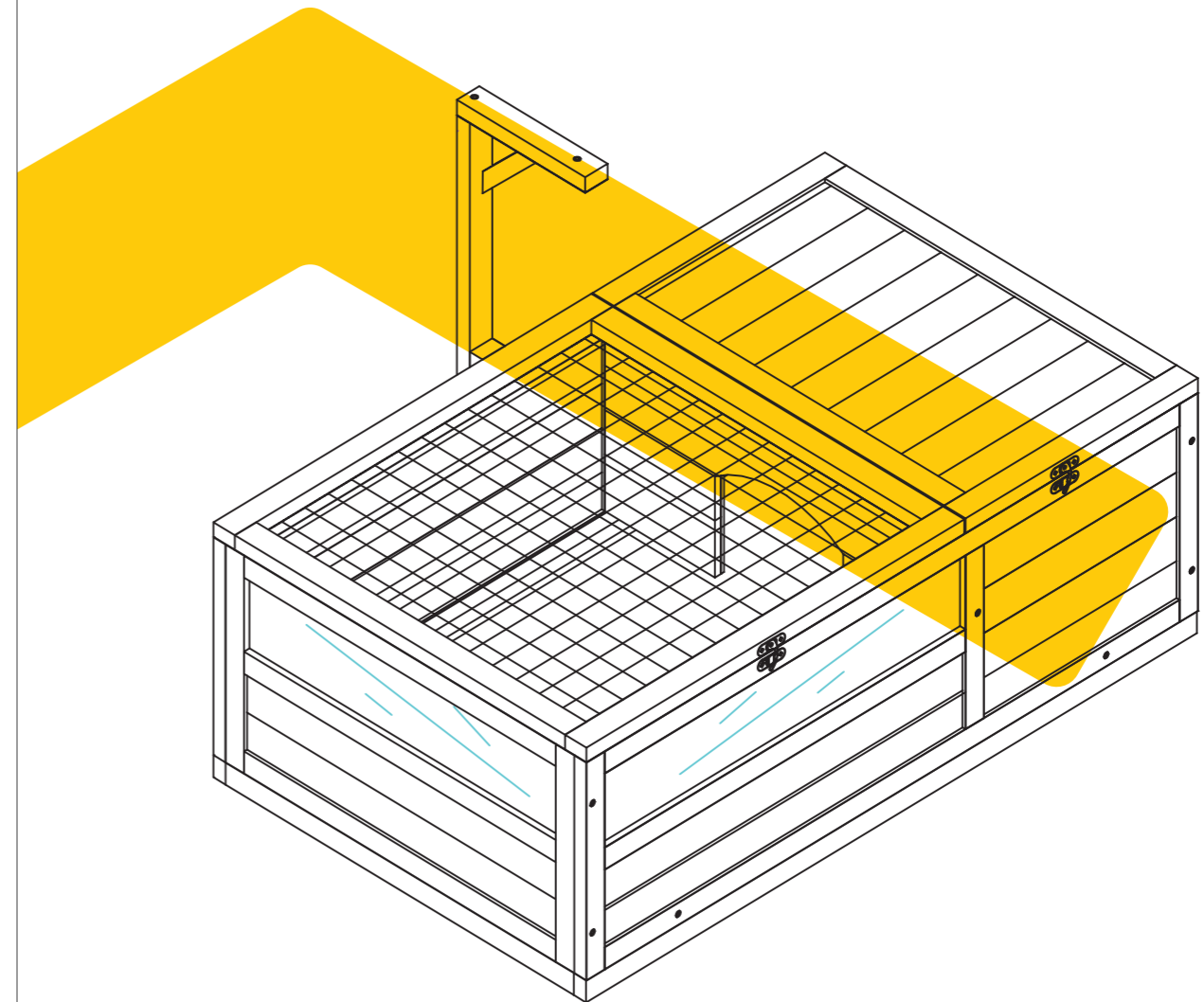


# INSTRUCTION MANUAL

AIR21



**WARNING**

Manufacturer and seller expressly disclaim any and all liability for personal injury, property damage or loss, whether direct, indirect, or incidental, resulting from the incorrect attachment, improper use, inadequate maintenance, or neglect of this product.



## NOTICE

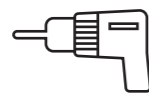
Please retain these instructions for future reference.

- Firmly secure all bolts,screws and knobs before use.
- Reconfirm that all bolts,screws,and knobs are secure every 90 days.
- Fasten screws loosely during initial assembly. Do not fully tighten screws until the item is completely assembled.
- Do not use or store this item in the proximity of open flame or flammable/combustible chemicals.
- Be aware that some parts are heavy and have sharp edges.
- Be aware that moving parts can injure,crush and cut.
- If any parts are missing,broken,damaged,or worn,stop using this product until repairs are made and/or factory replacement parts are installed.
- Do not use this item in a way inconsistent with the manufacturer' s instructions as this could void the product warranty.

## TOOLS REQUIRED //



PHILLIPS  
SCREWDRIVER



DRILL  
(RECOMMENDED)



2PERSON  
ASSEMBLY



APPROXIMATELY  
30MIN. ASSEMBLY

## HARDWARE //

M3.5x50mm SCREW  
4PCS+1 spare



P1

M3.5x40mm SCREW  
11PCS+1 spare



P2

M3.0x16mm SCREW  
20PCS+1 spare



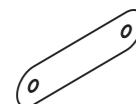
P3

Latch  
2PCS



P4

2PCS



P5

M4.0x55mm SCREW  
2PCS+1 spare



P6

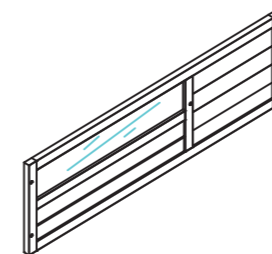
M3.5x35mm SCREW  
2PCS+1 spare



P7

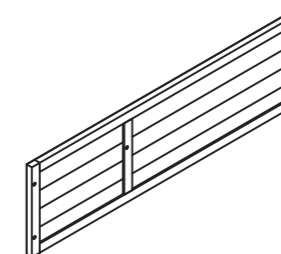
## PARTS //

Front panel  
1PC



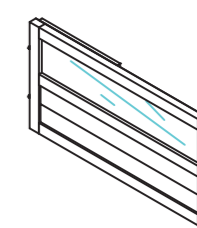
A

Back panel  
1PC



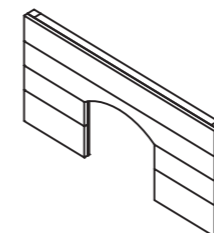
B

Left panel  
1PC



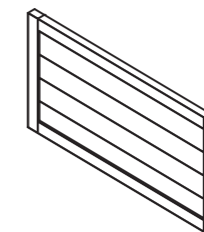
C

Divider  
1PC



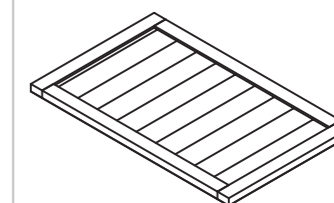
D

Right panel  
1PC



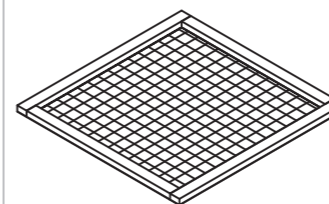
E

Wooden roof  
1PC



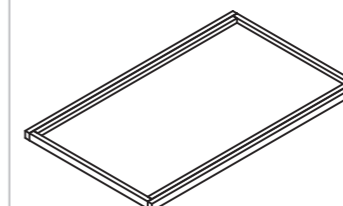
F

Wire roof  
1PC



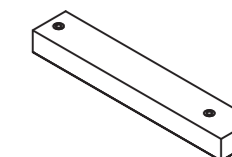
G

Tray  
1 PC



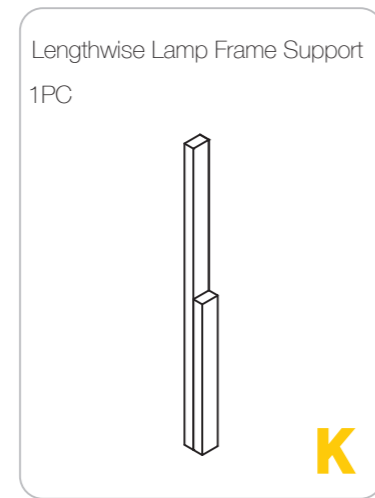
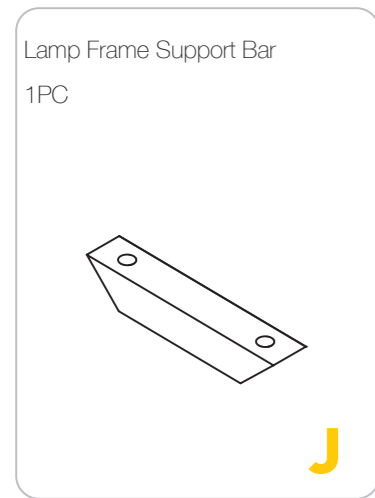
H

Crosswise Lamp Frame Support  
1PC



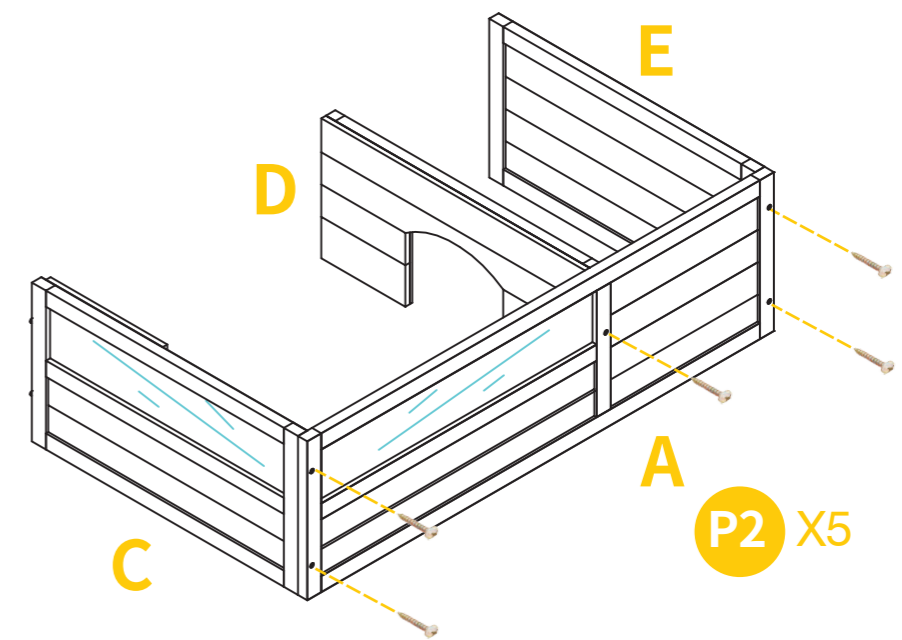
I

# PARTS //

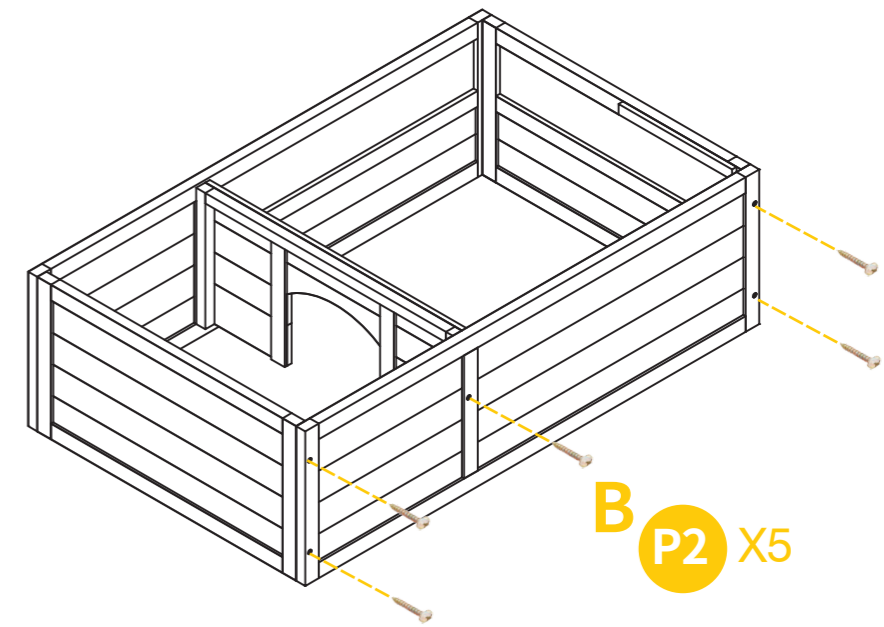


# PRODUCT ASSEMBLY //

**01** Attach C , D , E to A by 5xP2 screws.

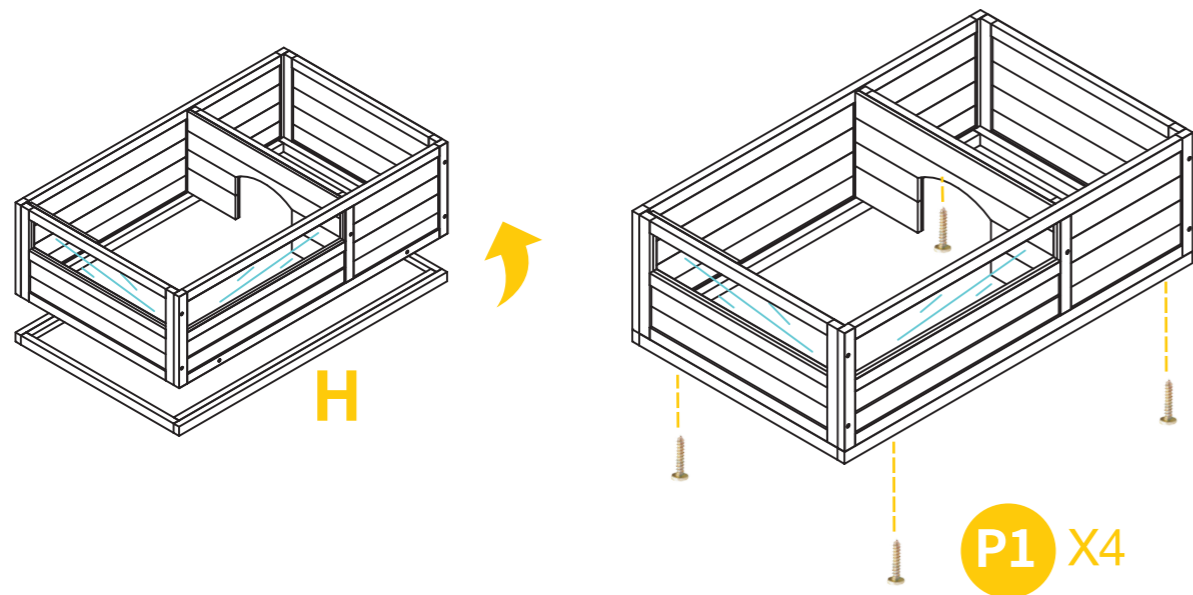


**02** ① Attach the back B to C , D and E by 5xP2 screws.  
② Ensure all corners line up before screwing together.

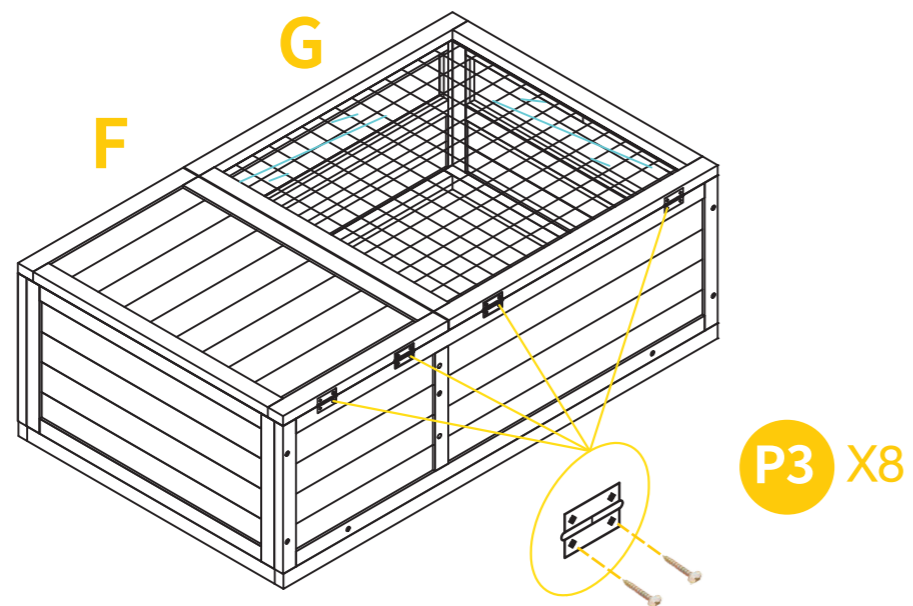


# PRODUCT ASSEMBLY //

- 03** ① Put in the "H" from the bottom.  
② Screw "H" to the house from the bottom up by 4xP1 screws.

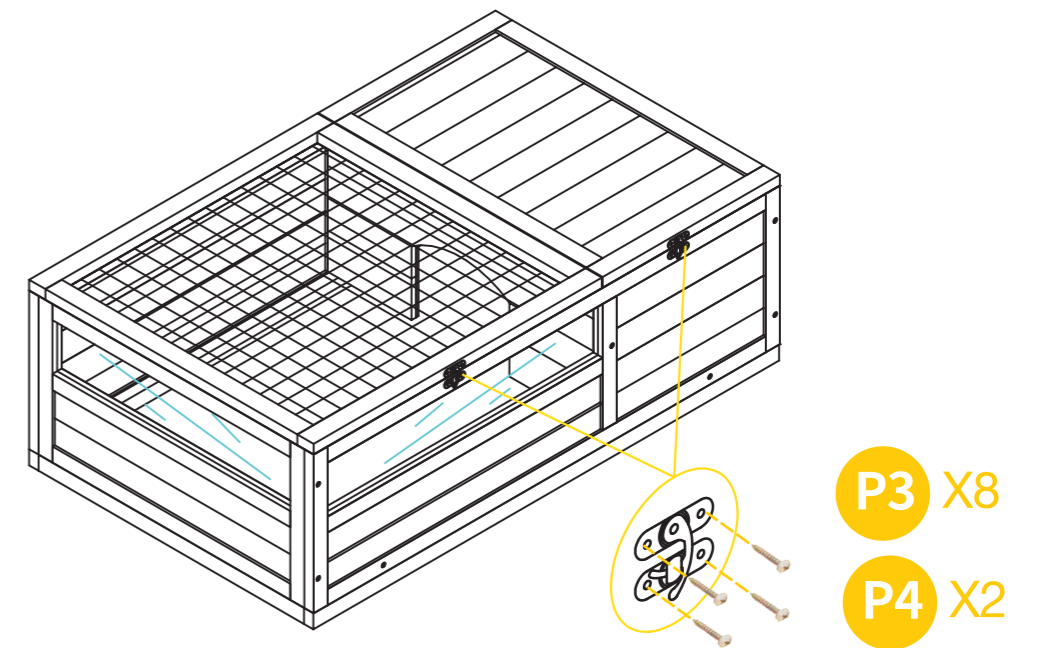


- 04** ① Screw F, G to the house at the hinges by 8xP3 screws.  
② Ensure F and G are line up before screwing.

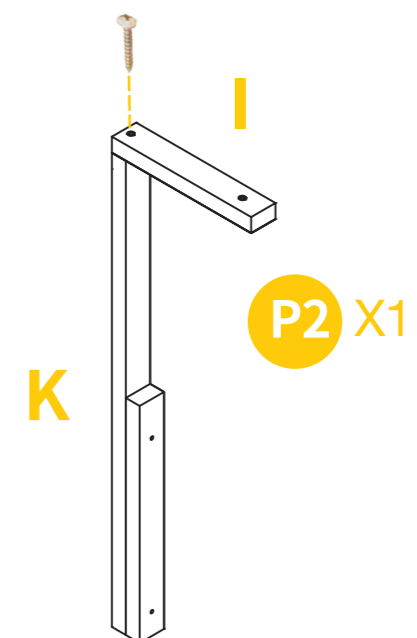


# PRODUCT ASSEMBLY //

- 05** Complete the roof by screwing the latch P4 by 8xP3 screws.

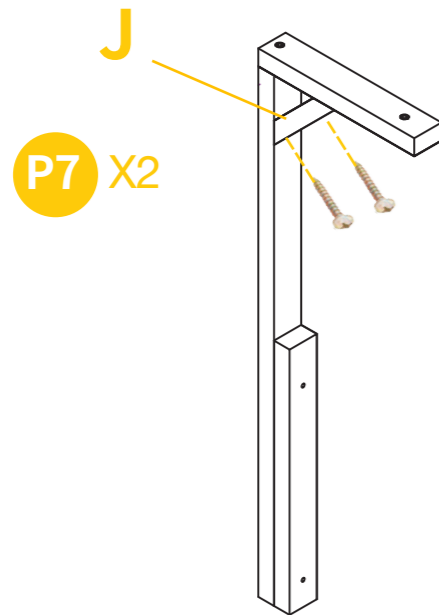


- 06** Screw I to the K by 1xP2 screw.

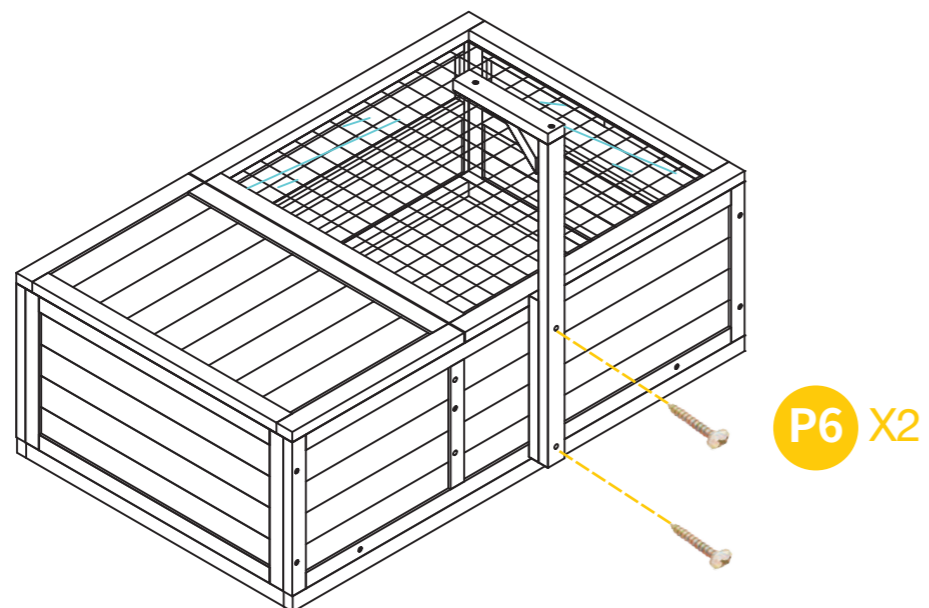


# PRODUCT ASSEMBLY //

**07** Screw J by 2xP7 screws.



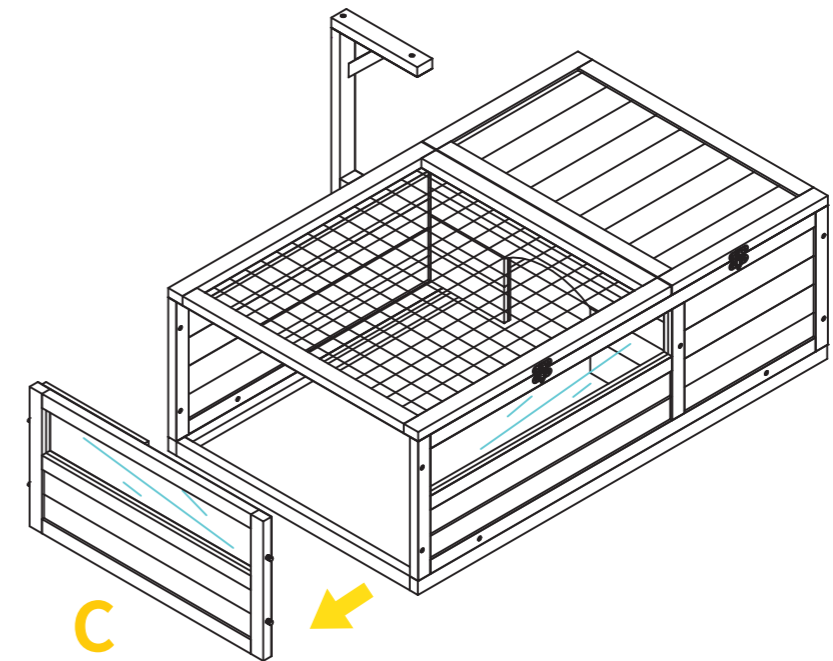
**08** Attached Lamp Frame Support to the house by 2xP6 screws.



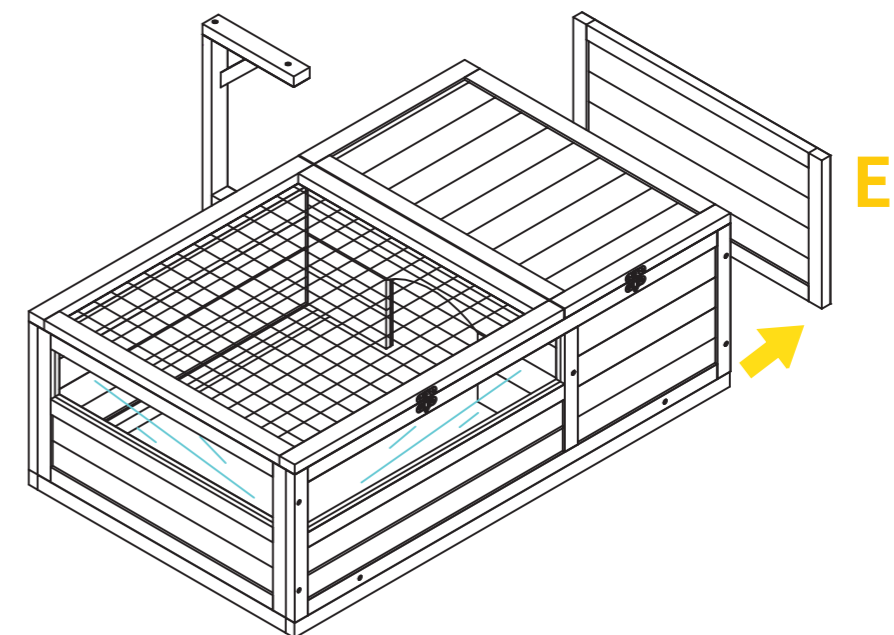
# PRODUCT ASSEMBLY //

**09** ① Pls ignore the following for only one tortoise house owner!  
② The below steps are the assembly for the 2nd tortoise house if you buying 2 houses.

Take out the side panel Part C from the TWO tortoise house separately.

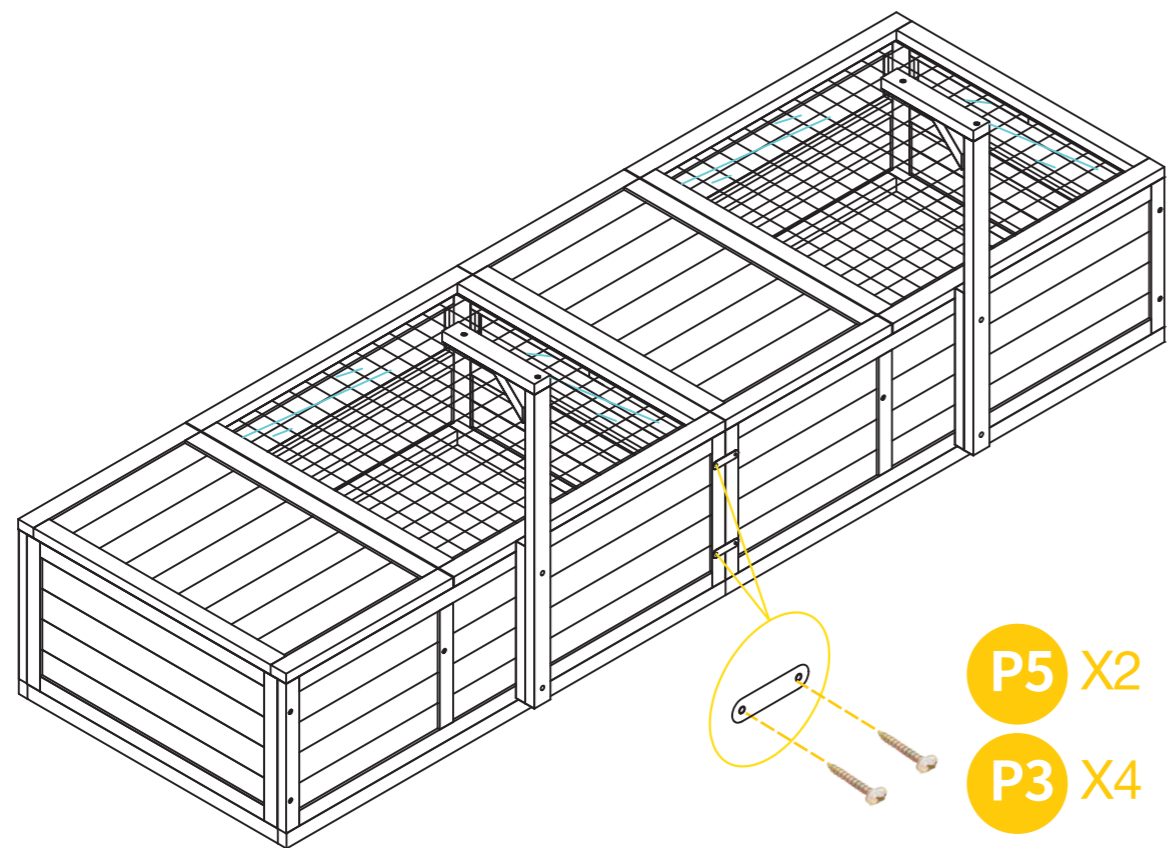


**10** Take out the side Panel Part E from the TWO tortoise separately.



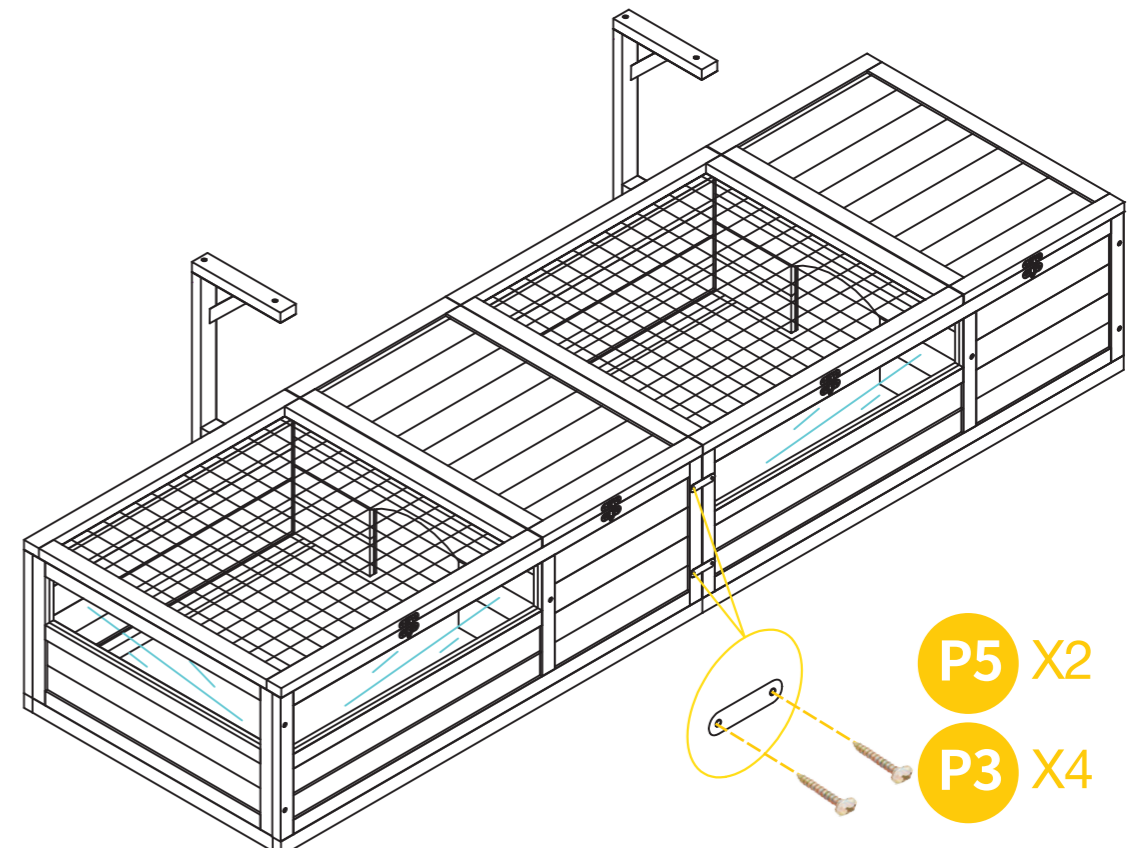
# PRODUCT ASSEMBLY //

**11** Screw the connect pieces P5 by 4xP3 screws.



# PRODUCT ASSEMBLY //

**12** Repeat on the other side.



## HELP CENTER

Question about your product? we're here to help contact us via



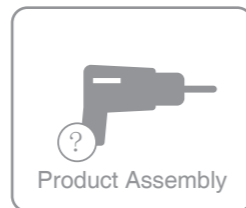
[service@aivotuvin.com](mailto:service@aivotuvin.com)



Product inquiry



Orders FAQ



Product Assembly



Returns & Refunds

## THANK YOU

Thanks for your support to Aivotuvin.

Your satisfaction is our #1 priority.

Once the items are received, opened, and deemed to be faulty or other problems.

Pls contact us at [service@aivotuvin.com](mailto:service@aivotuvin.com) for the solution.

We will feedback to you within 24 hours.

If you are happy with the shopping ,welcome to share photos and thoughts with others .