

INSTRUCTION MANUAL

AIR 24

! NOTICE

Please retain these instructions for future reference.

- Firmly secure all bolts, screws and knobs before use.
- Reconfirm that all bolts, screws, and knobs are secure every 90 days.
- Fasten screws loosely during initial assembly. Do not fully tighten screws until the item is completely assembled.
- Do not use or store this item in the proximity of open flame or flammable/combustible chemicals.
- Be aware that some parts are heavy and have sharp edges.
- Be aware that moving parts can injure, crush, and cut.
- If any parts are missing, broken, damaged, or worn, stop using this product until repairs are made and/or factory replacement parts are installed.
- Do not use this item in a way inconsistent with the manufacturer's instructions as this could void the product warranty.

TOOLS REQUIRED



PHILLIPS
SCREWDRIVER



DRILL
(RECOMMENDED)



2 PERSON
ASSEMBLY



APPROXIMATELY
45 MIN.
ASSEMBLY

HARDWARE

P1 M3.5 x 45 mm
SCREW



8PCS+1spare

P2 M3.5 x 40 mm
SCREW



8PCS+1spare

P3 M3.5 x 20 mm
SCREW



2PCS+1 spare

P4 M3.0 x 16 mm
SCREW



12CS+1 spare

P5 M3.0 x 10 mm
SCREW



2PCS+1spare

P6 Chewing toy



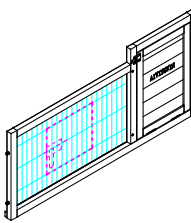
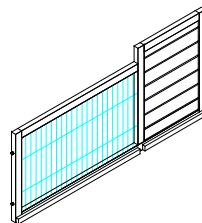

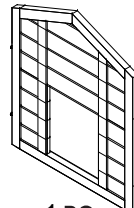
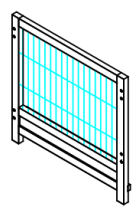
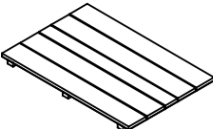
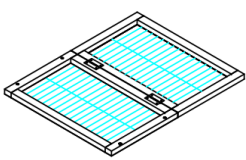
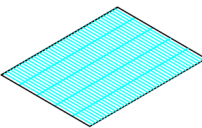
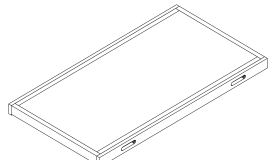
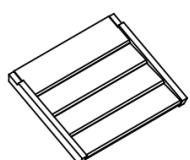


1PC

P7 Lock



1PC

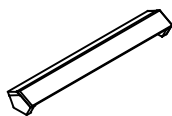
PARTS

- A** Front Panel

1 PC
- B** Back Panel

1 PC
- C** Side Panel of Wooden Hutch

1 PC
- D** Middle Panel of Wooden Hutch

1 PC
- E** Side Panel of Pen

1 PC
- F** Floor of Wooden Hutch

1 PC
- G** Roof of Pen

1 PC
- H** Wire Floor

1 PC
- I** Plastic tray

1 PC
- J** Wooden Roof

2 PCS
- K** Brake Casters

2 PCS
- L** Casters without Brakes

2 PCS

PARTS

M

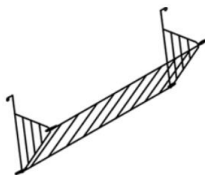
Roof Cap



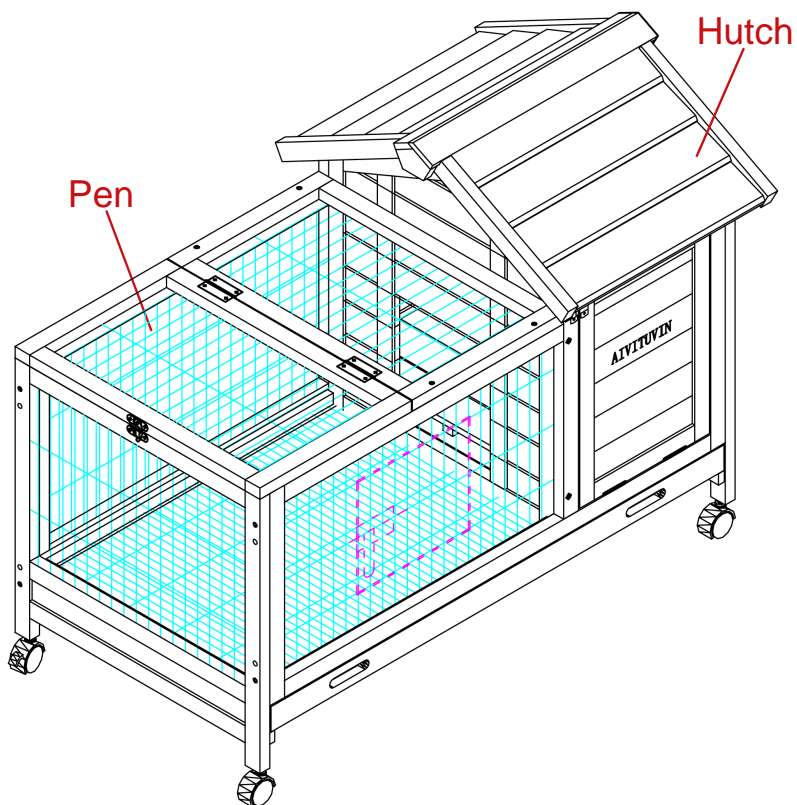
1 PC

N

Folding Metal feeder



1 PC

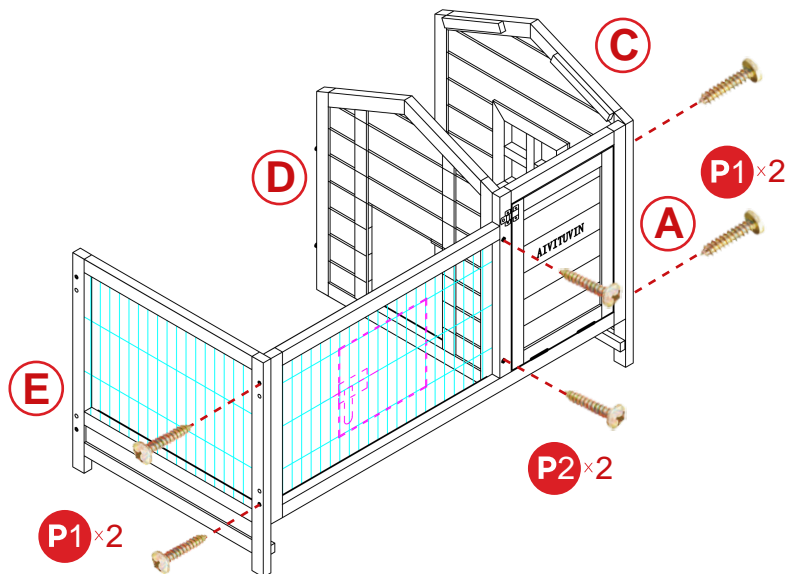


PRODUCT ASSEMBL

1

Notice

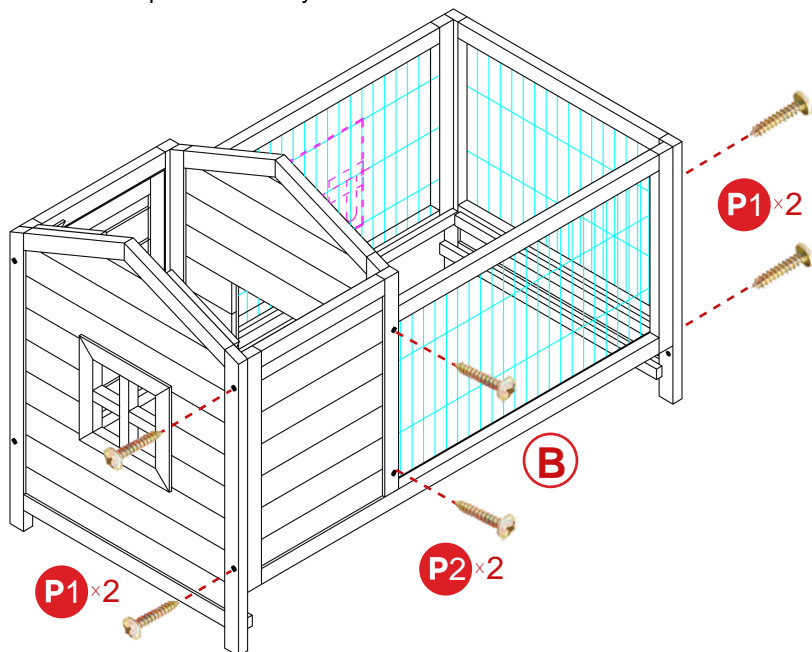
- 1, Attach the side panel Part E & Part C to the front panel Part A by 2xP1 each.
- 2, Attach the middle panel Part D to the front panel Part A by 2xP2.



2

Notice

- Attach the back panel Part B by 2xP1 at each side and 2xP2 at the middle.

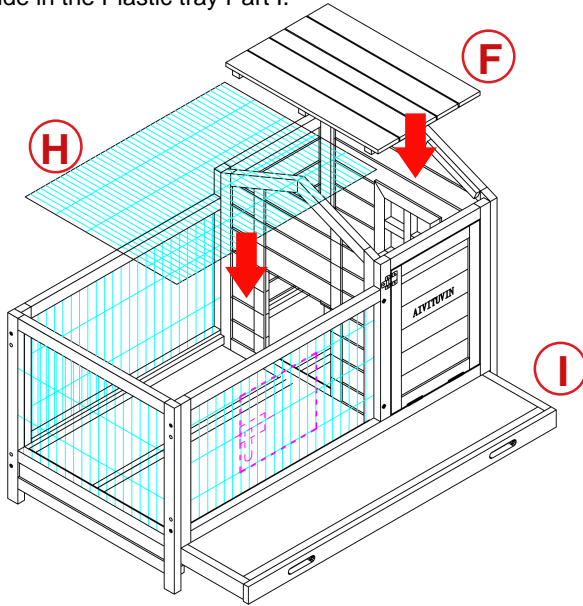


PRODUCT ASSEMBLY

3

Notice

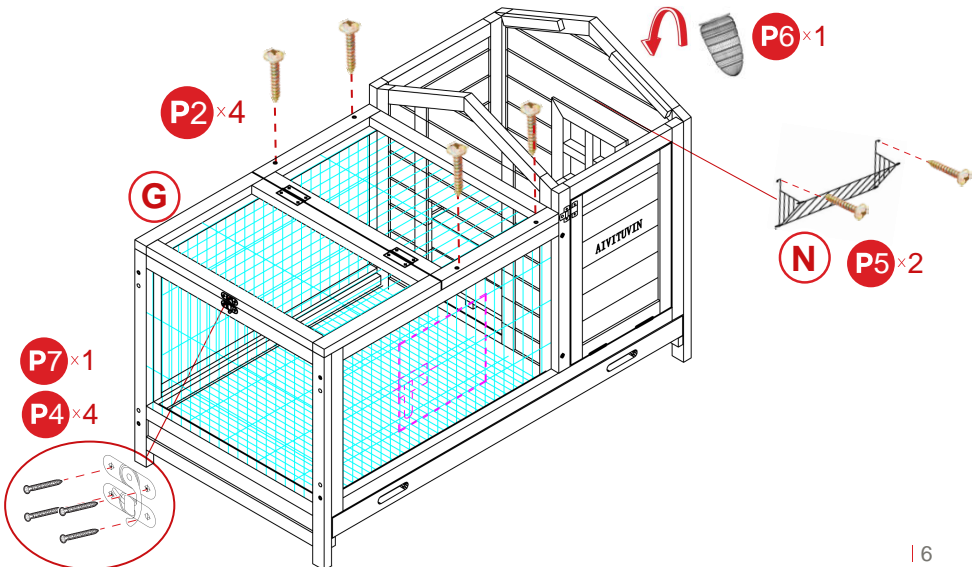
- 1, Put the wooden floor Part F into the wooden hutch.
- 2, Put the wire floor Part H into the pen.
- 3, Slide in the Plastic tray Part I.



4

Notice

- 1, Attach the pen roof Part G by 4xP2.
- 2, Screw the lock P7 to the side of pen by 4xP4.
- 3, Screw the folding metal feeder Part N by 2xP5.
- 4, Put inside the chewing toy P6

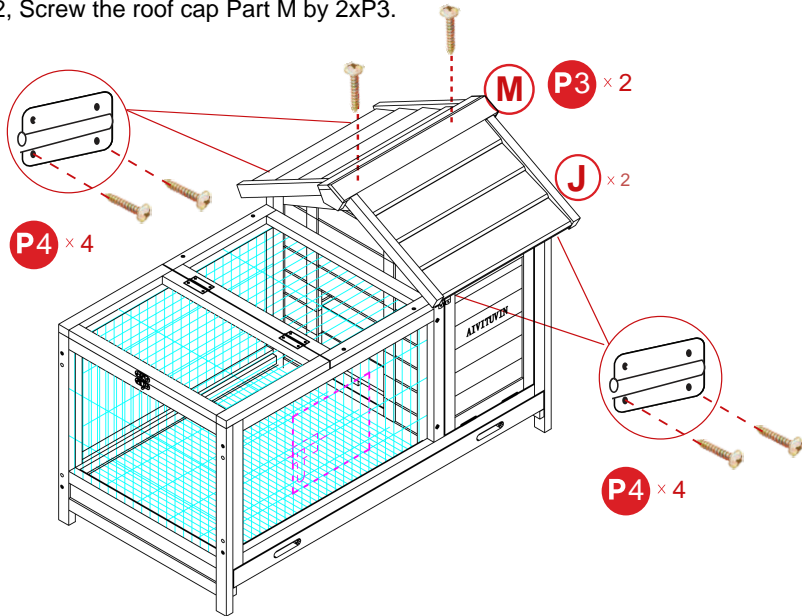


PRODUCT ASSEMBLY

5

Notice

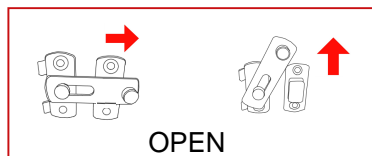
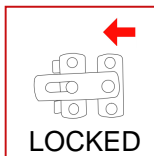
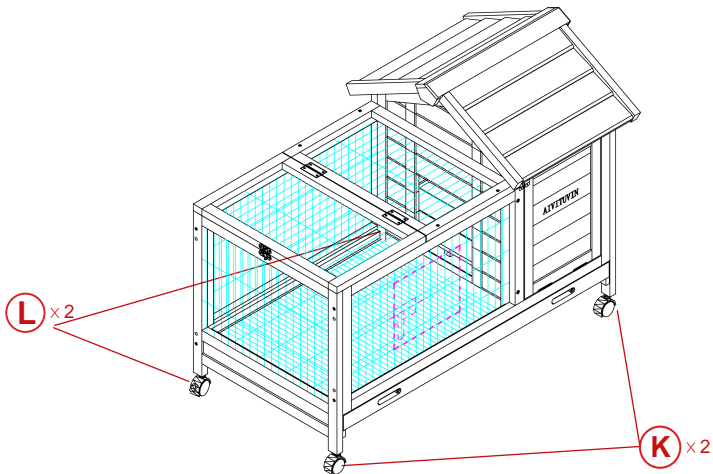
- 1, Attach the wooden roof Part J by 4xP4 each.
- 2, Screw the roof cap Part M by 2xP3.



6

Notice

- Screw in the casters Part L & K to the legs.



HELP CENTER



Question about your product? we're here to help contact us via

service@aivituvn.com



Product Inquiry



Orders FAQ



Product Assembly



Returns & Refunds

THANK YOU

Your satisfaction is our #1 priority

We hope you enjoy it and have a good shopping experience.

If you do, please share your feedback or leave a product review.

Login your Amazon account → Your account → Your orders → Aivituvn pets →

Write your review

If your feel anything less than 5 Star Experience, please tell us and we will make it right:

service@aivituvn.com

We will feedback within 8 hours

To expedite your service, please provide your Order ID

We are committed to resolve any situation when it does not meet your expectations.



WARNING

Manufacturer and seller expressly disclaim any and all liability for personal injury, property damage or loss, whether direct, indirect, or incidental, resulting from the incorrect attachment, improper use, inadequate maintenance, or neglect of this product.