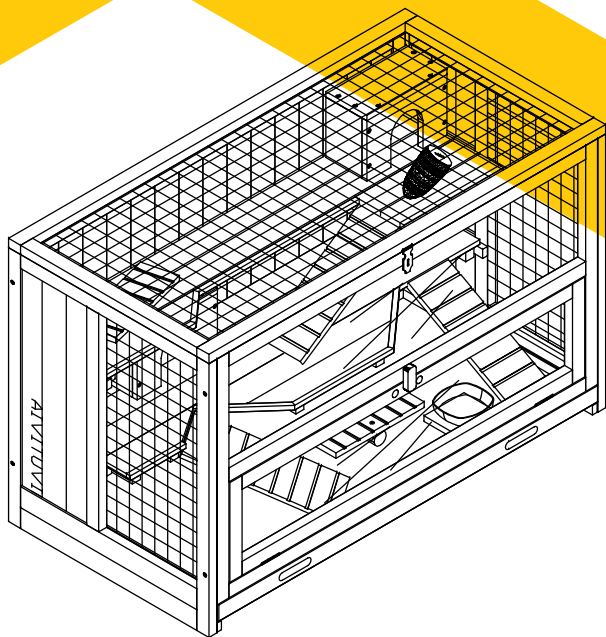


INSTRUCTION MANUAL

AIR 26



aivituvin

www.aivituvin.com



NOTICE

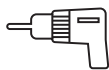
Please retain these instructions for future reference.

- Firmly secure all bolts,screws and knobs before use.
- Reconfirm that all bolts,screws,and knobs are secure every 90 days.
- Fasten screws loosely during initial assembly. Do not fully tighten screws until the item is completely assembled.
- Do not use or store this item in the proximity of open flame or flammable/combustible chemicals.
- Be aware that some parts are heavy and have sharp edges.
- Be aware that moving parts can injure,crush and cut.
- If any parts are missing,broken,damaged,or worn,stop using this product until repairs are made and/or factory replacement parts are installed.
- Do not use this item in a way inconsistent with the manufacturer's instructions as this could void the product warranty.

TOOLS REQUIRED //



PHILLIPS
SCREWDRIVER



DRILL
(RECOMMENDED)



2PERSON
ASSEMBLY



APPROXIMATELY
45MIN. ASSEMBLY

HARDWARE //

M3.5x40mm SCREW
8PCS+1 spare



P1

M3.0x25mm SCREW
24PCS+1 spare



P2

M3.0x16mm SCREW
6PCS+1 spare



P3

M3.0x10mm SCREW
6PCS+1 spare



P4

Eye hook
1PC



P5

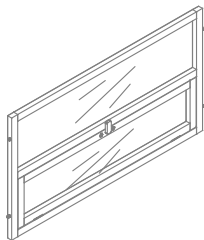
Chewing Toy
1PC



P6

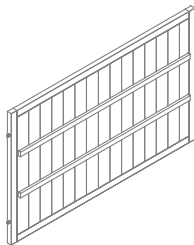
PARTS //

Front panel
1PC



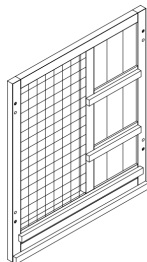
A

Back panel
1PC



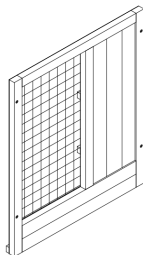
B

Left side panel
1PC



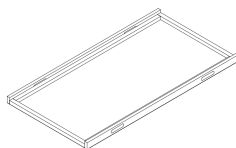
C

Right side panel
1PC



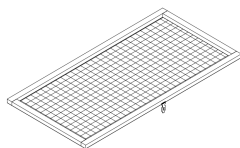
D

Drawer
1PC



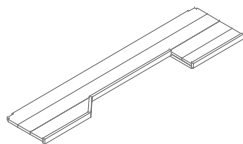
E

Roof
1PC



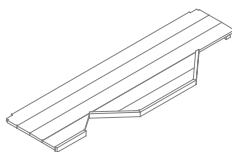
F

Upper layer
1PC



G

Down layer
1PC



H

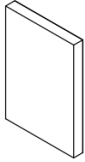
Ramp
3PCS



I

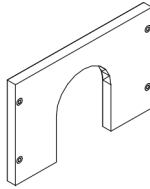
PARTS //

Side panels of small house
4PCS



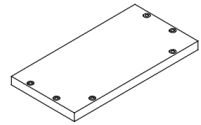
J

Front panel of small house
2PCS



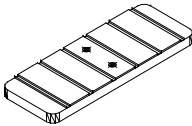
K

Roof of small house
2PCS



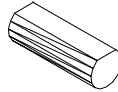
L

Seesaw
2PCS



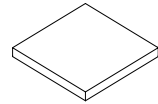
M

Base of seesaw
2PCS



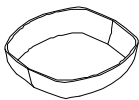
N

Base of bowl
1PC



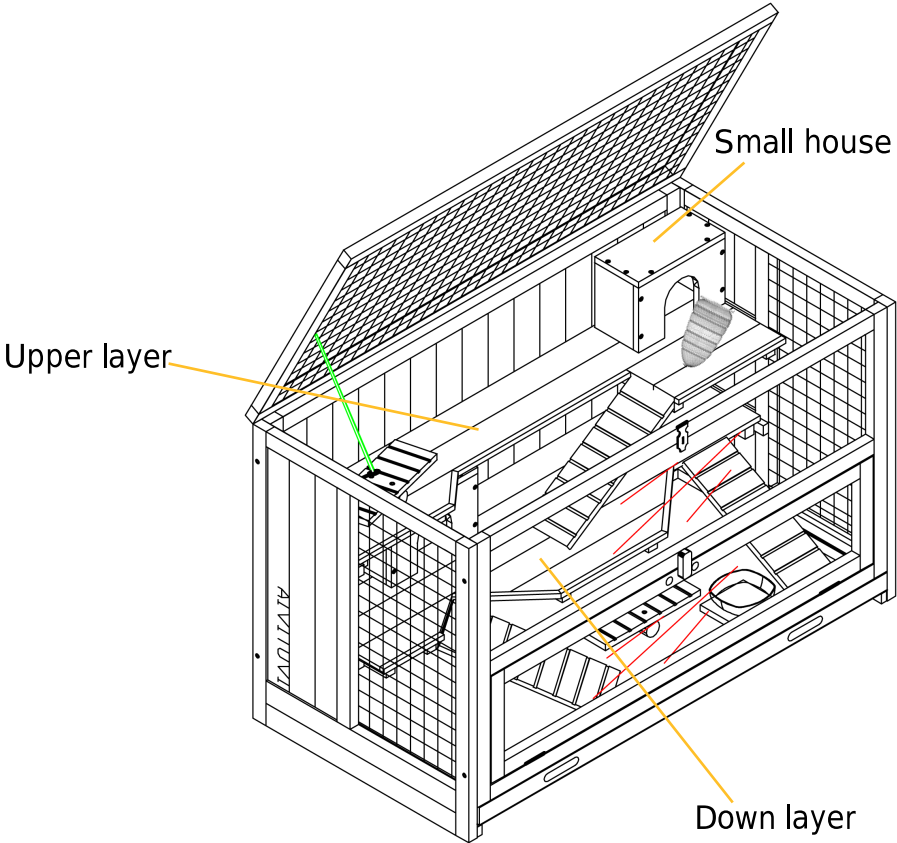
O

Bowl
1PC



P

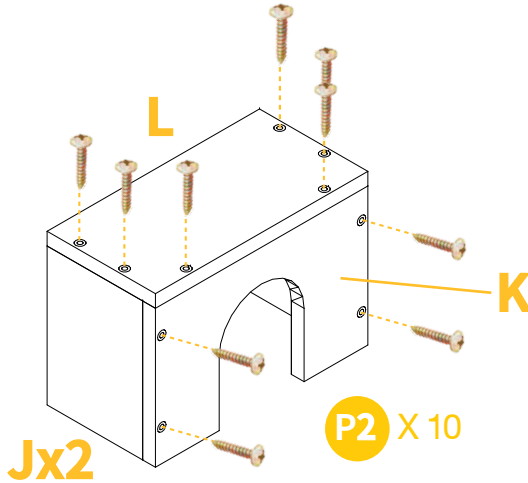
PARTS



PRODUCT ASSEMBLY //

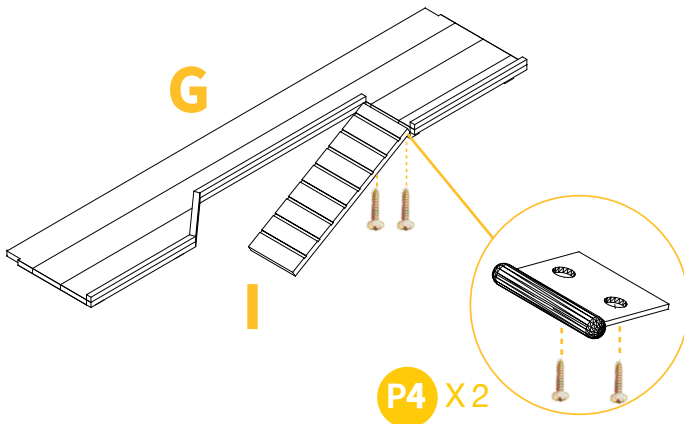
01

Attach the front panel Part K, the roof panel Part L to the side panels Part J by 10xP2 to finish the small house. Repeat the same way for the second one.



02

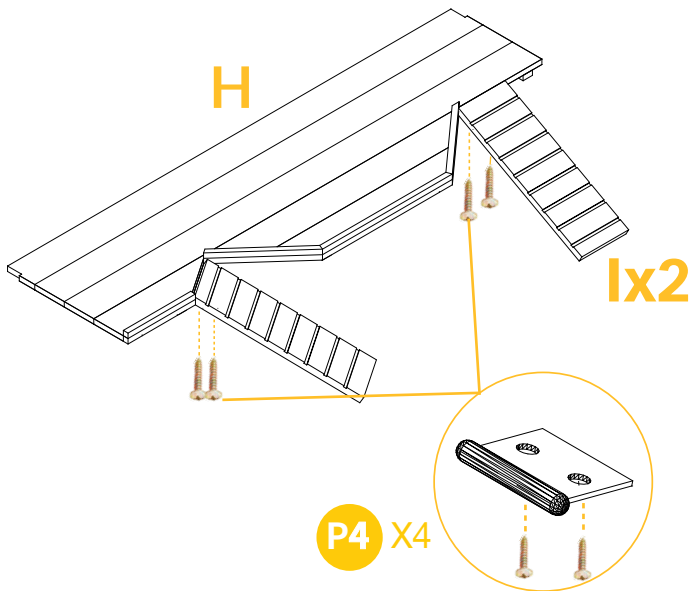
Screw the ramp Part I to the layer Part G by 2xP4.



PRODUCT ASSEMBLY //

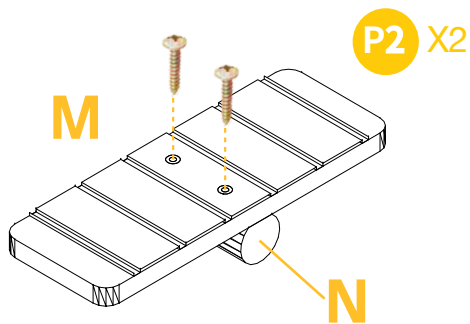
03

Screw the ramps Part I to the layer Part H by 4xP4.



04

Complete the two sessaws by 2xP2 each.

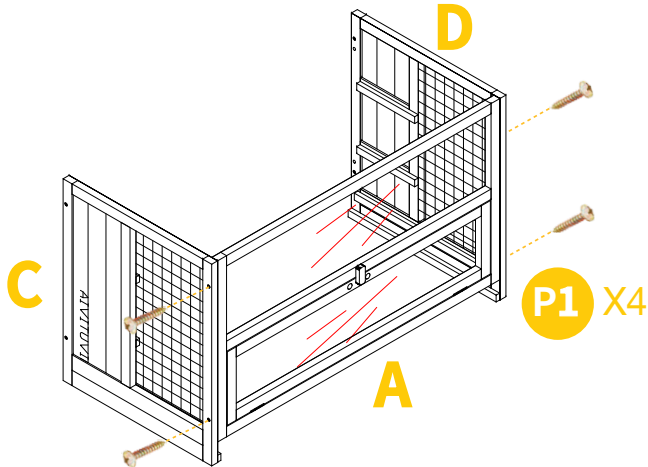


PRODUCT ASSEMBLY //

05

Attach the side panels Part C & D to the front panel Part A by 4xP1.

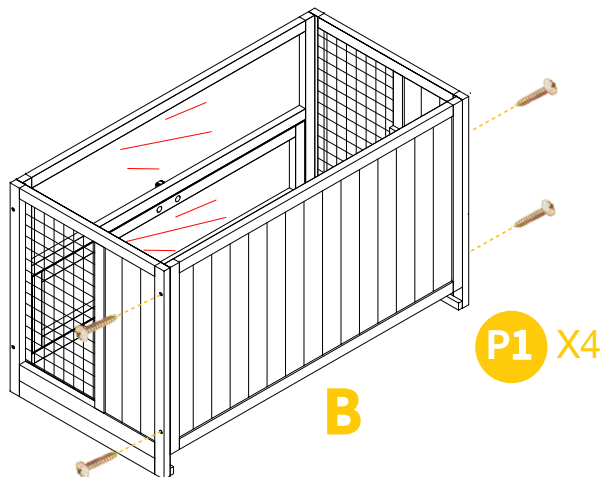
Notice to align with the dowels.



06

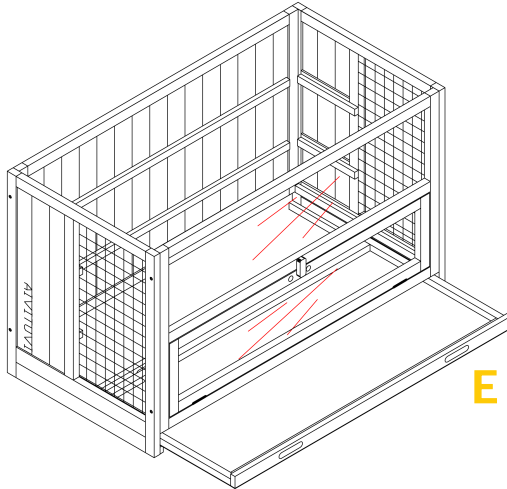
Attach the back panels Part B to the side panels by 4xP1.

Notice to align with the dowels.

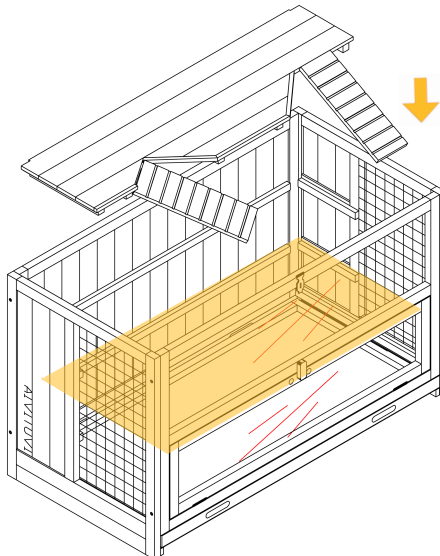


PRODUCT ASSEMBLY //

07 Slide in the tray Part E.

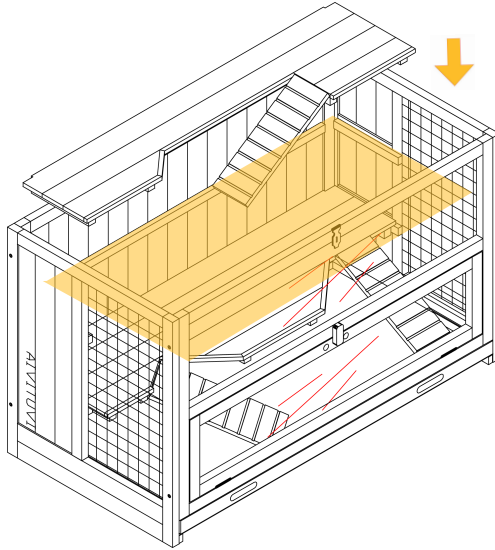


08 Put the down layer to the slot of back & side panel.

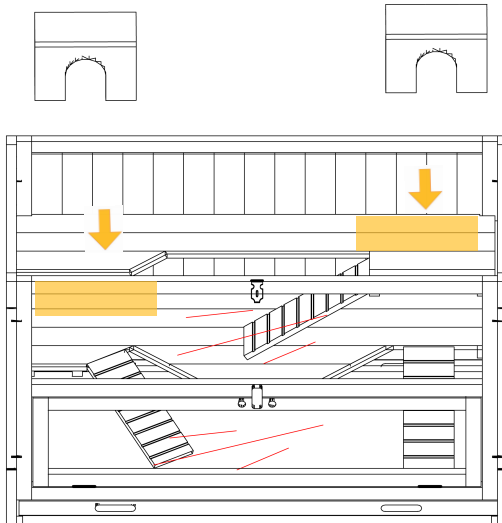


PRODUCT ASSEMBLY //

09 Put the upper layer to the slot of back & side panel.



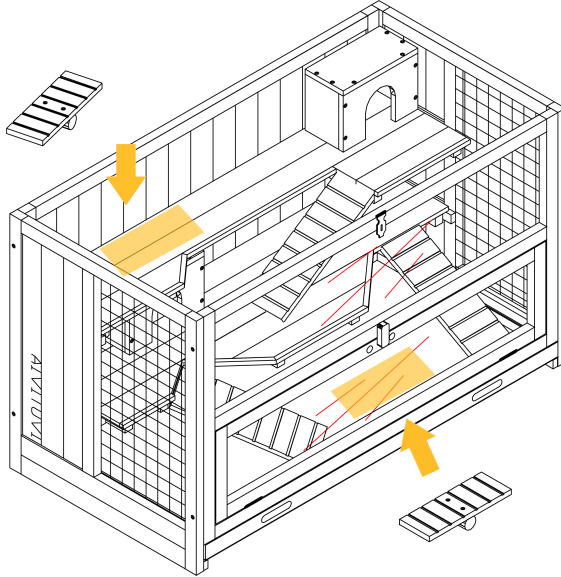
10 Put the small houses to the layers.



PRODUCT ASSEMBLY //

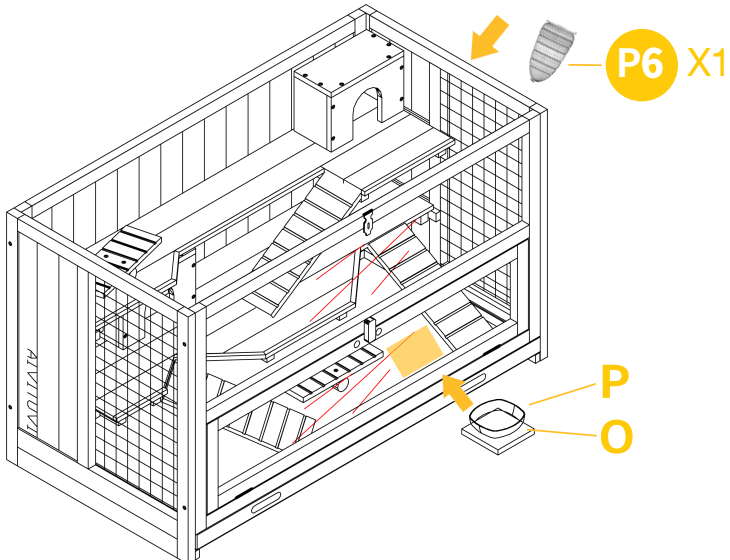
11

Put the seesaw into the cage.



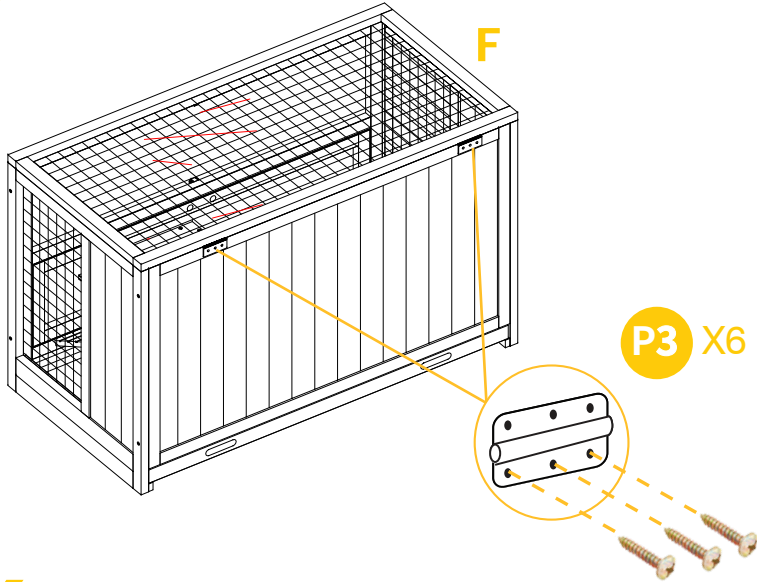
12

Put the chewing toy P6 and bowl Part O & P into the cage.

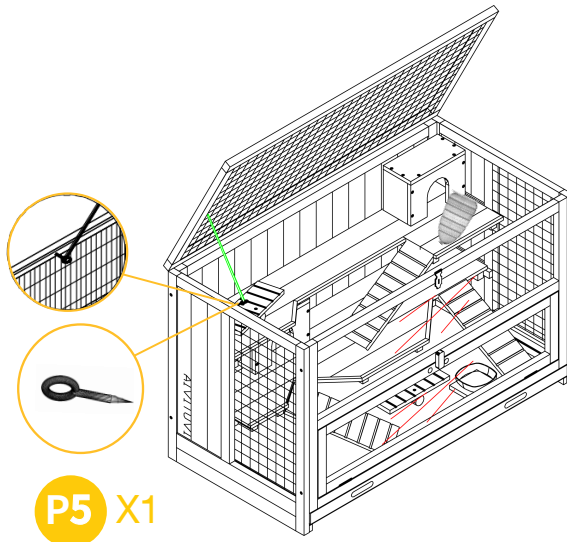


PRODUCT ASSEMBLY //

13 Attach the roof Part F to the back panel by 6xP3.



14 Attach the hook eye to left side panel.
Tie the rope to the eye hook.



HELP CENTER

Question about your product? we're here to help contact us via



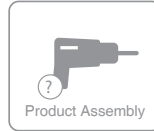
service@aivituvn.com



Product inquiry



Orders FAQ



Product Assembly



Returns & Refunds

THANK YOU

Thanks for your support to Aivituvn.

Your satisfaction is our #1 priority.

Once the items are received, opened, and deemed to be faulty or other problems.

Pls contact us at service@aivituvn.com for the solution.

We will feedback to you within 24 hours.

If you are happy with the shopping ,welcome to share photos and thoughts with others .



WARNING

Manufacturer and seller expressly disclaim any and all liability for personal injury, property damage or loss, whether direct, indirect, or incidental, resulting from the incorrect attachment, improper use, inadequate maintenance, or neglect of this product.