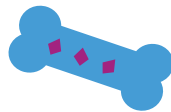
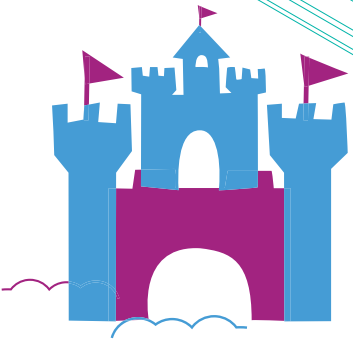
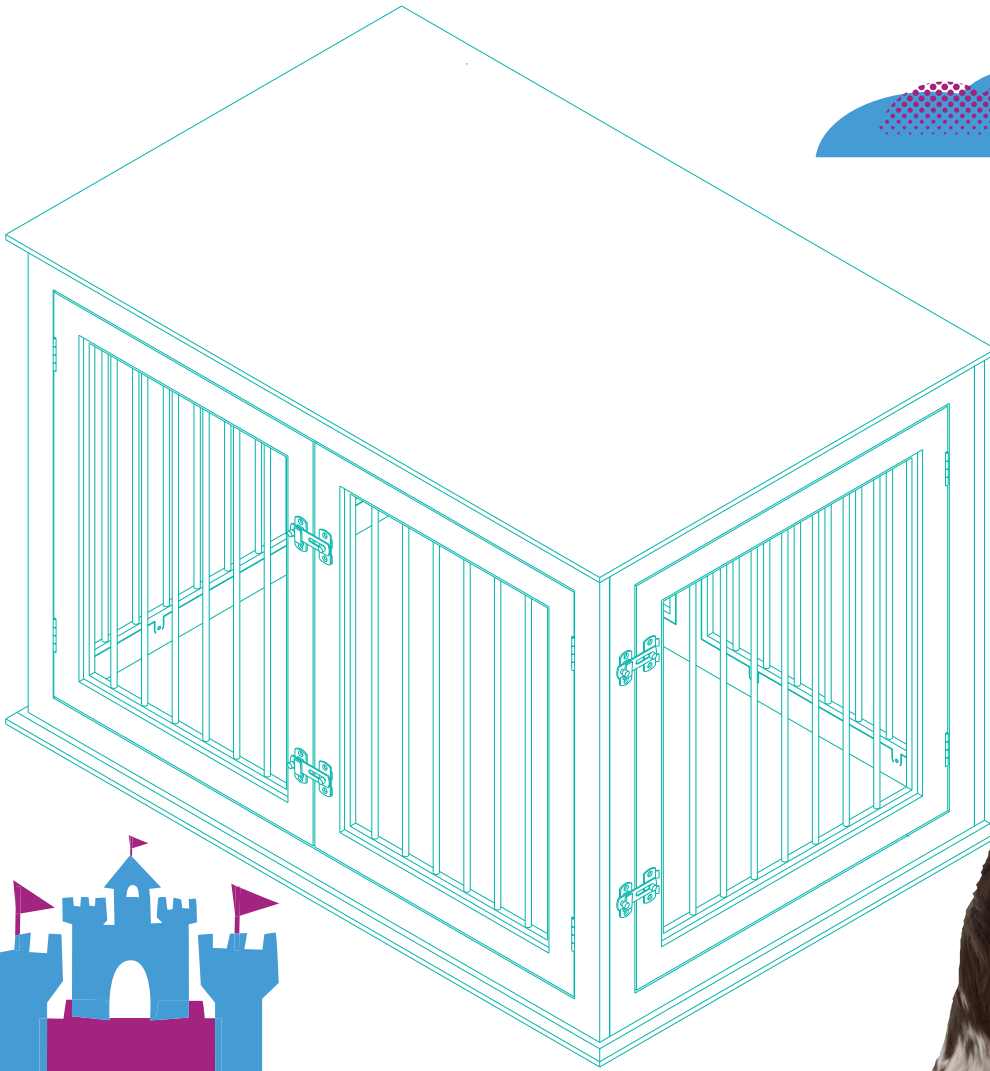
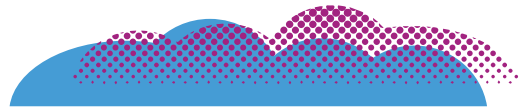


frisco.
better pet goods



FOR SAFETY, REMOVE LEASH AND COLLAR
BEFORE YOUR PET ENTERS THE CRATE.

SKU# 309374 310977

42" -Two Door Wood & Metal Dog Crate

INSTRUCTION MANUAL

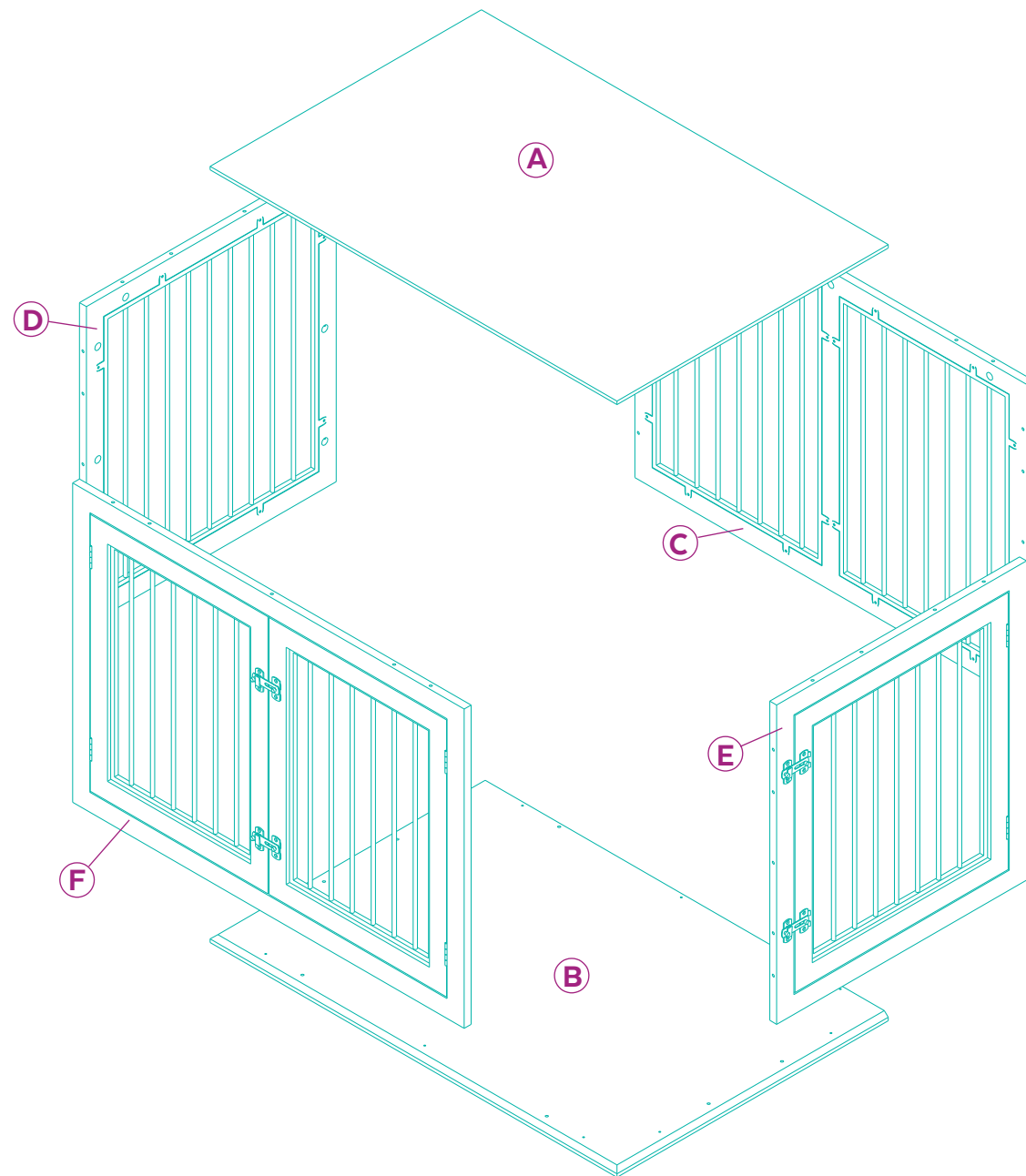
FOR PET USE ONLY

BEFORE ASSEMBLY

- ✓ Read all instructions and confirm all parts are included before starting assembly.
- ✓ Aside from the included parts, you'll also need a Phillips head screwdriver. There are no power tools needed.
- ✓ Do not tighten all bolts and screws completely until the entire crate has been assembled and set up.
- ✓ Although this crate can be assembled by one person, we recommend enlisting a friend for easier assembly.
- ✓ To avoid misplacing hardware components, we recommend opening and placing hardware on the pan while assembling the crate.



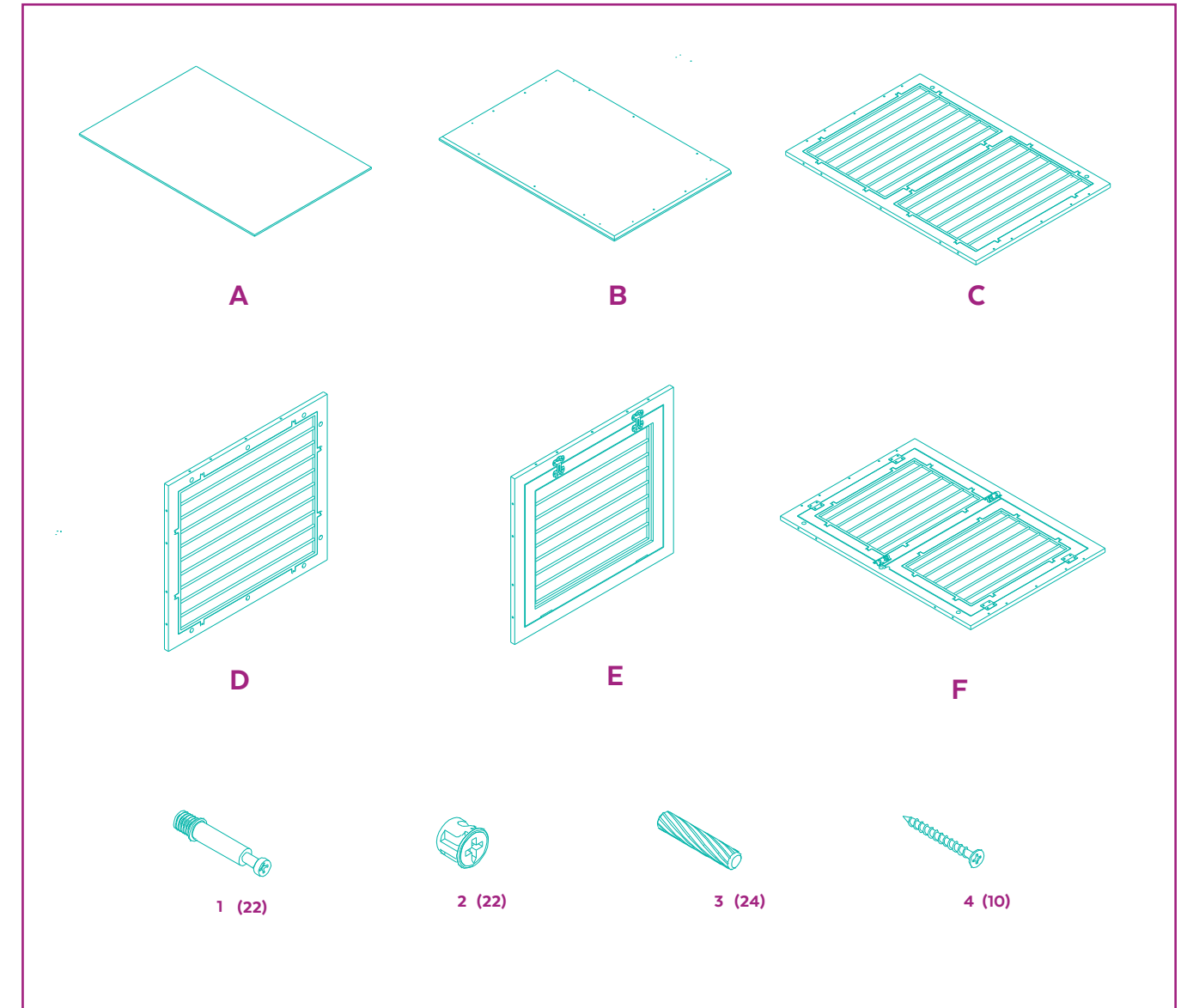
OVERVIEW



For questions, please call 1-800-672-4399.

PARTS INCLUDED

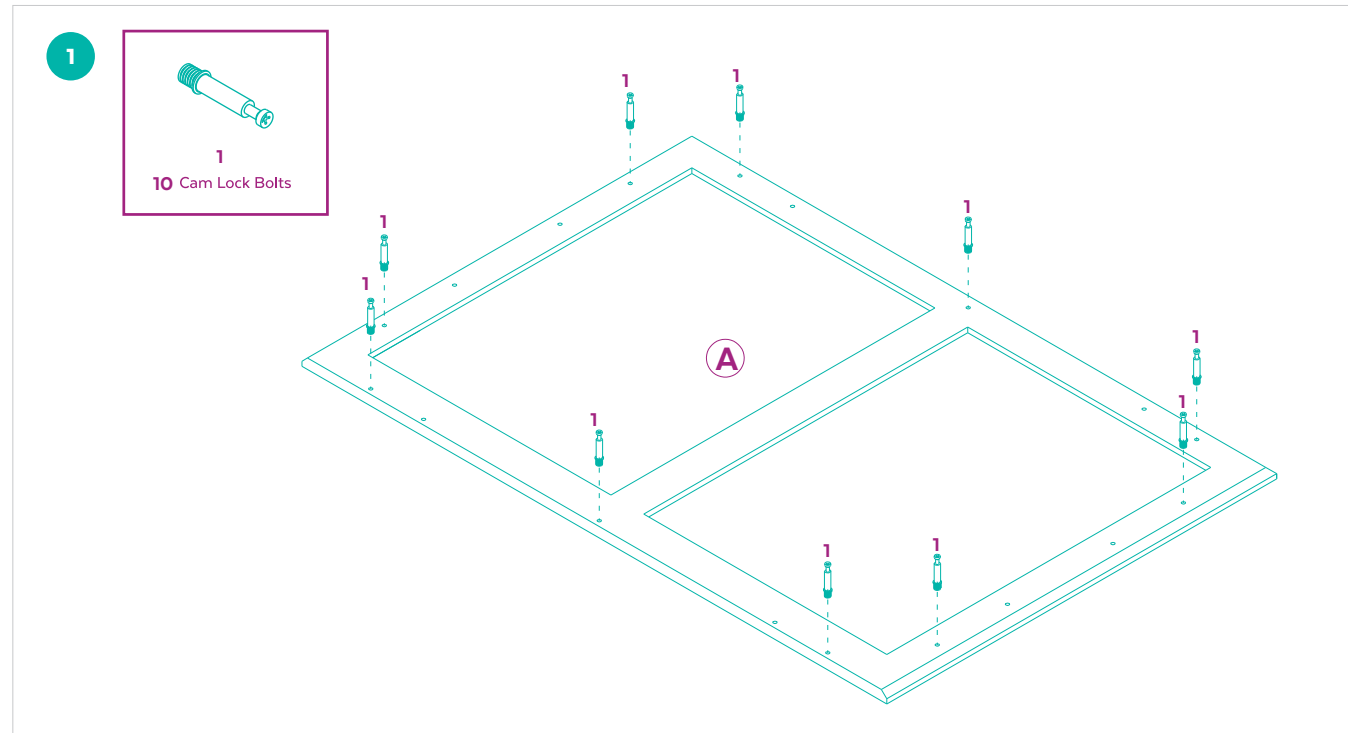
Prior to assembly, please be sure to identify and sort all parts shown below.



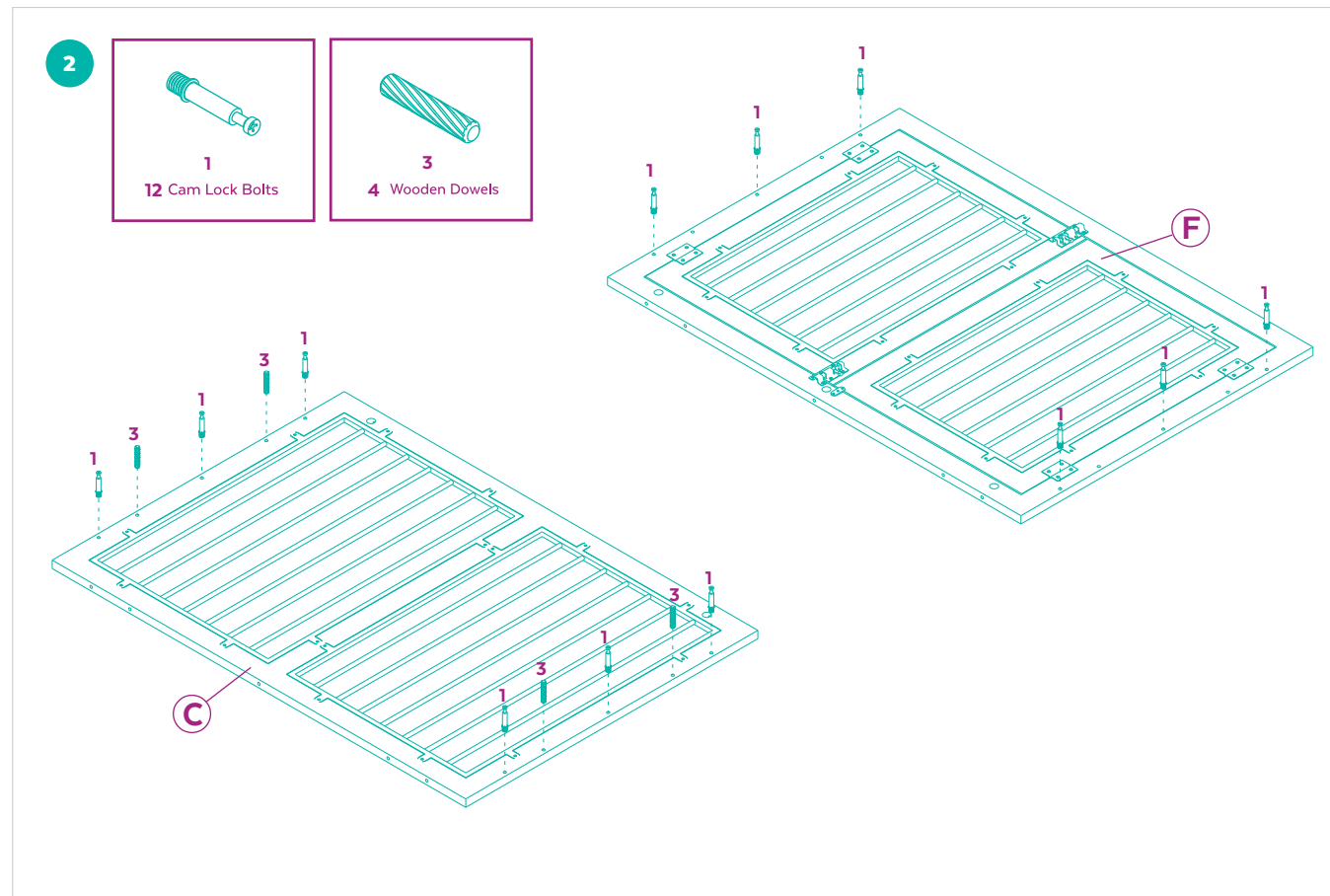
42" -Two Door Wood & Metal Dog Crate: 42 in L x 28 in W x 30 in H (106.5 cm L x 71 cm W x 76 cm H)

For questions, please call 1-800-672-4399.

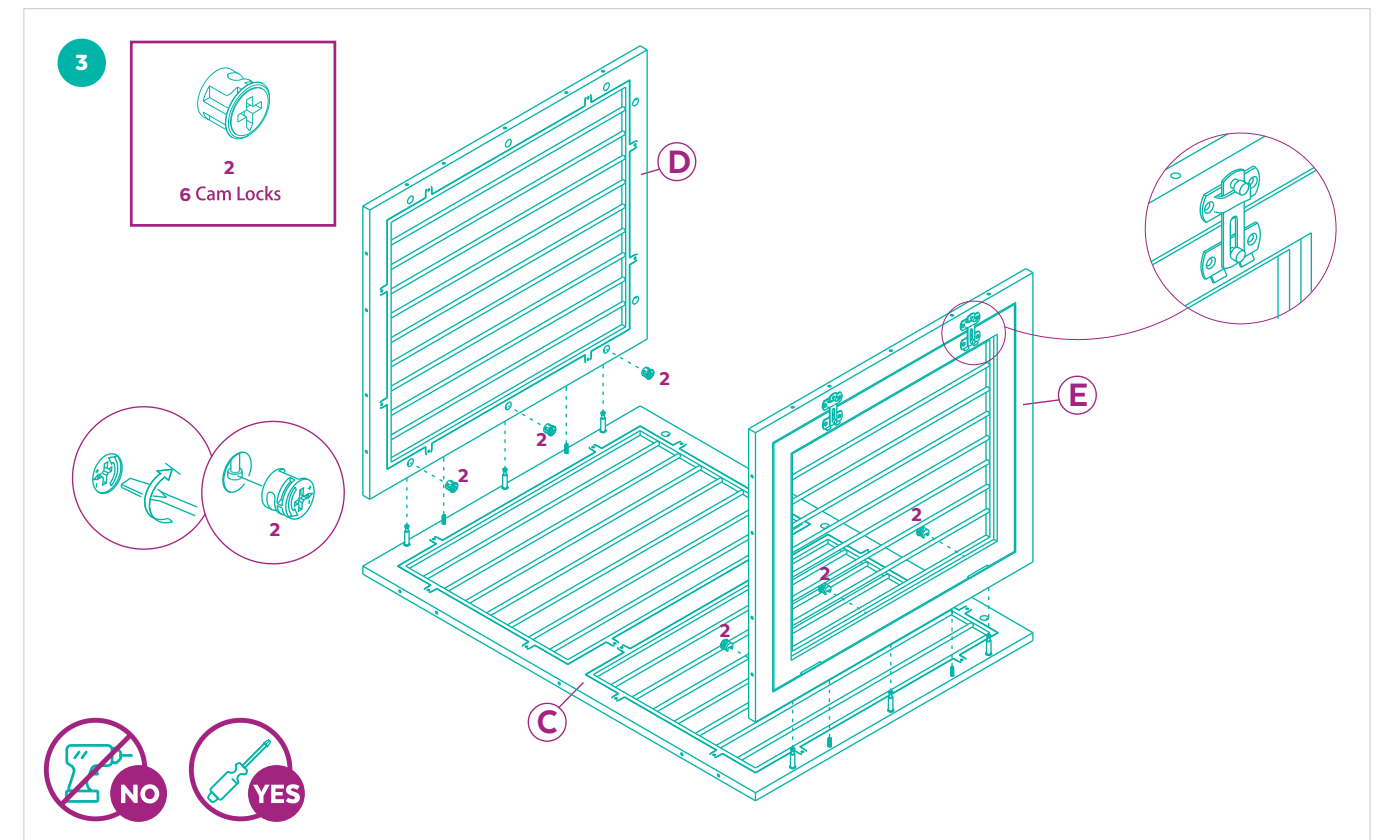
42" -Two Door Wood & Metal Dog Crate



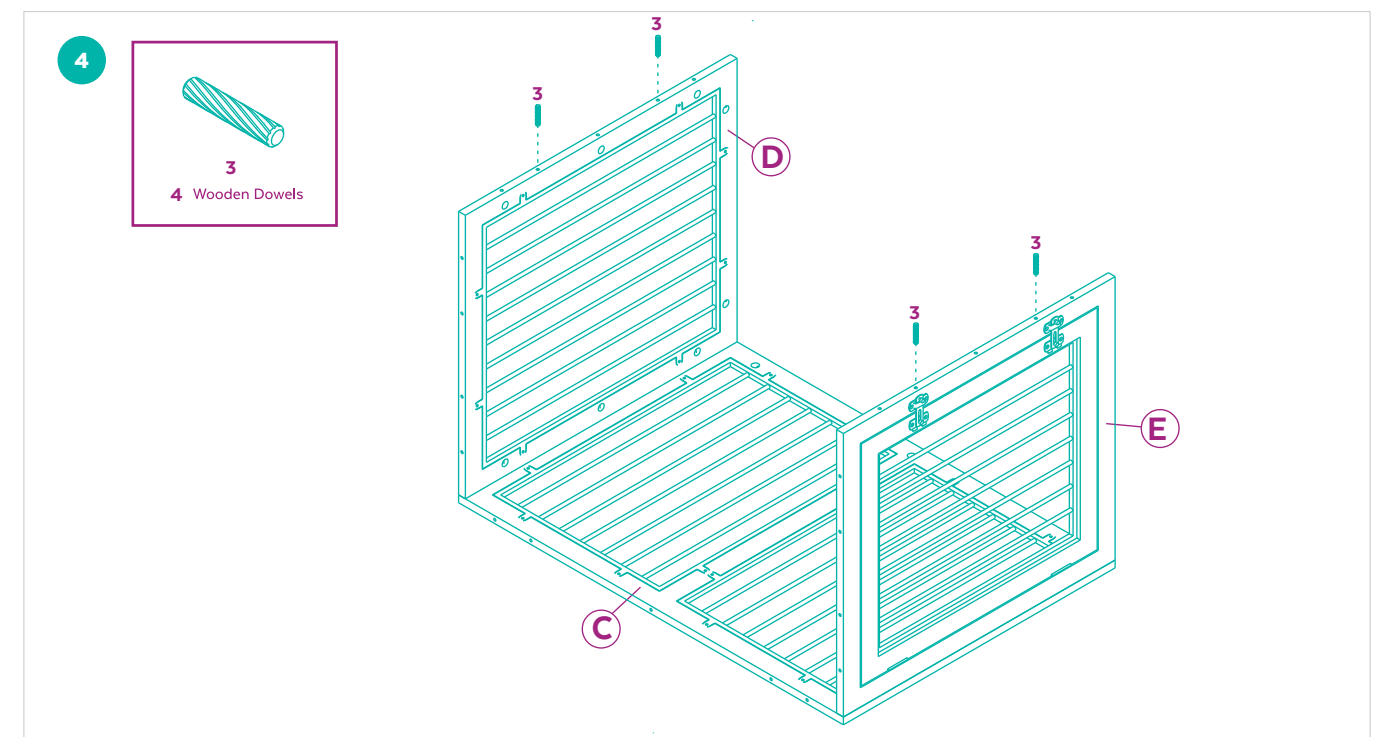
STEP 1 Screw the cam lock bolts (1) into the pre-drilled holes on the top panel (A). The cam lock bolts go into the SMALLER holes.



STEP 2 Screw the cam lock bolts (1) into the pre-drilled holes on panels C and F. The cam lock bolts go into the SMALLER holes. Install the wooden dowels (3) in panels C. The wooden dowels go into the LARGER holes.

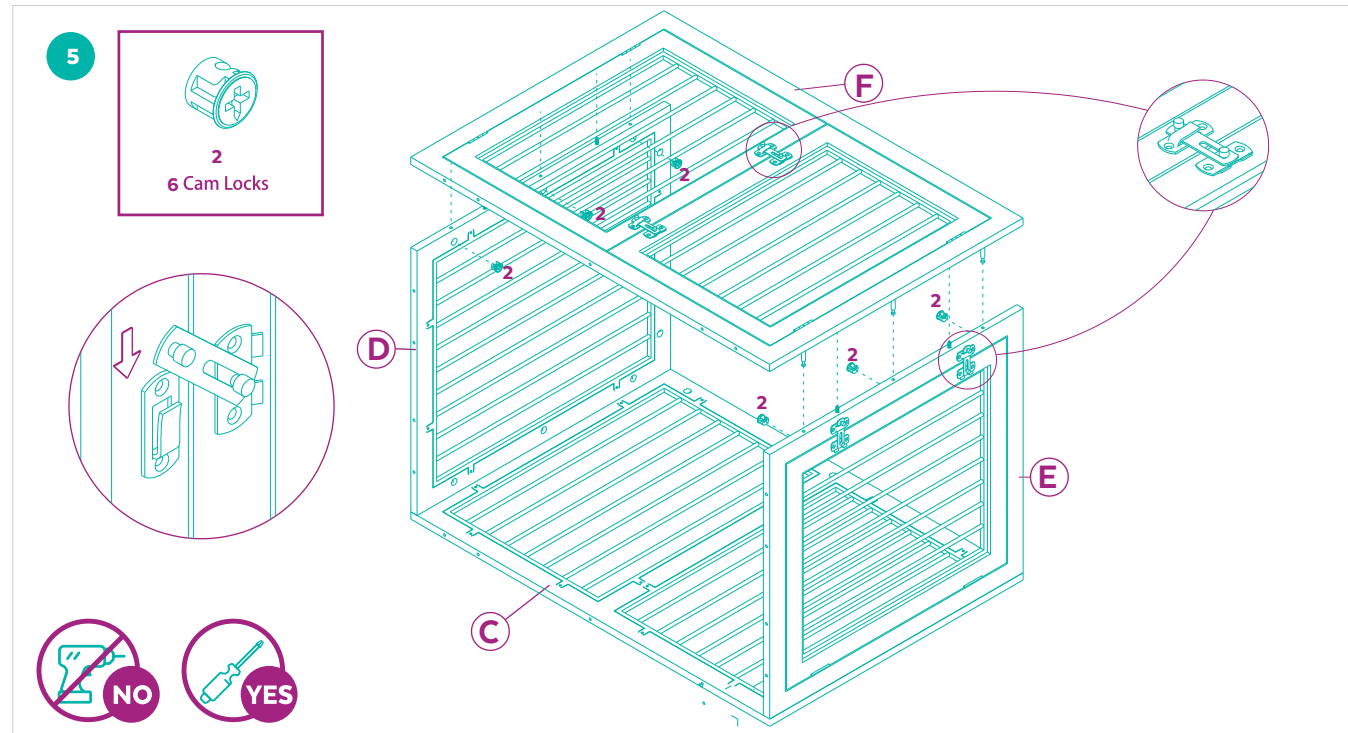


STEP 3 Attach the back panel (C) to the side panels (D and E) by aligning the cam lock bolts (1) and wooden dowels (3) with the corresponding holes. Tip: The semi-circle wire connector found on the wire mesh and cam locks (2) should always be on the inside of the crate.

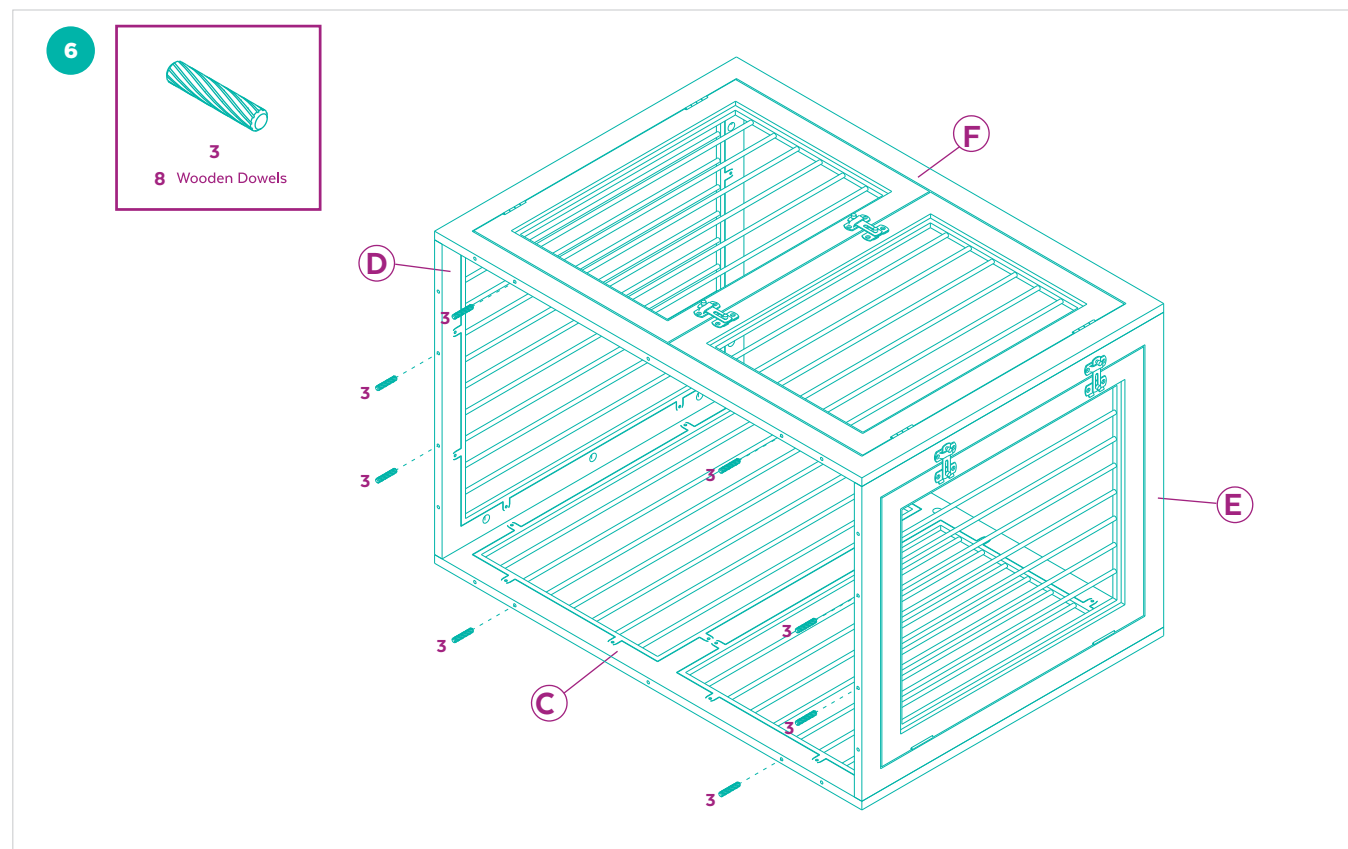


STEP 4 Install the wooden dowels (3) into the larger holes on the side panels (D and E).

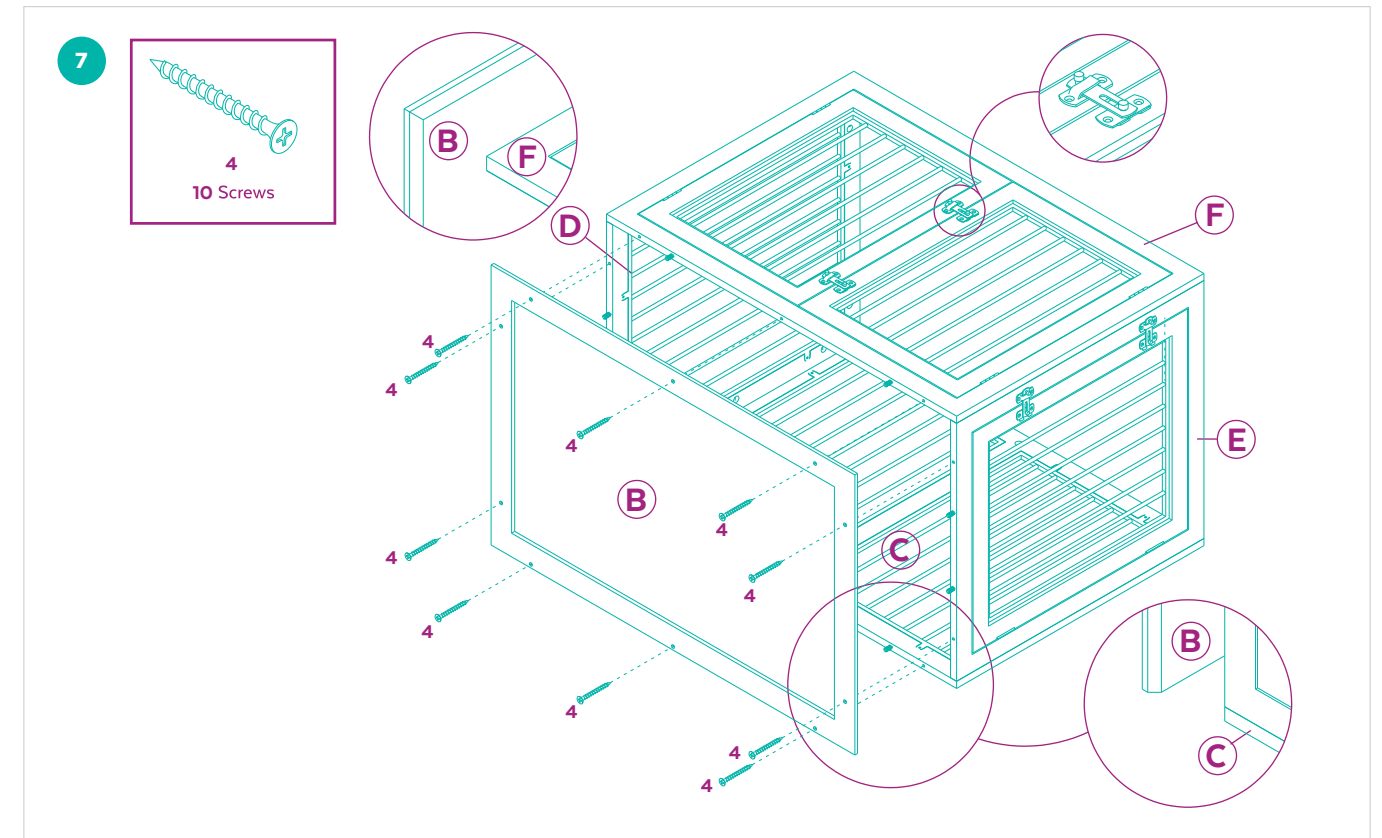
42" -Two Door Wood & Metal Dog Crate



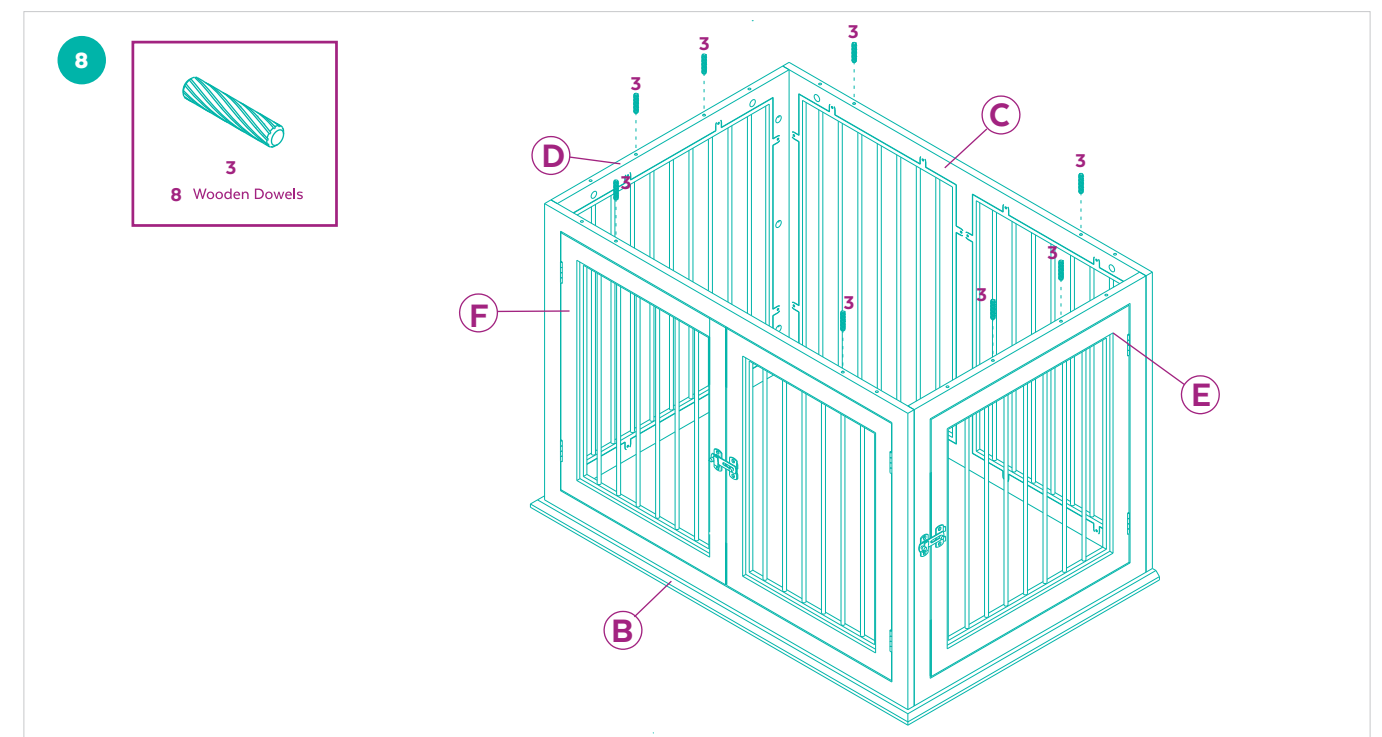
STEP 5 Attach the front door (F) to the two side panels (D and E) by aligning the cam lock bolts (1) and the wooden dowels (3) into the corresponding holes. TIP: Make sure the door locks are on the outside. Insert and tighten cam locks with a Phillips head screwdriver.



STEP 6 Install the wooden dowels (3) into panels C, D, E and F.

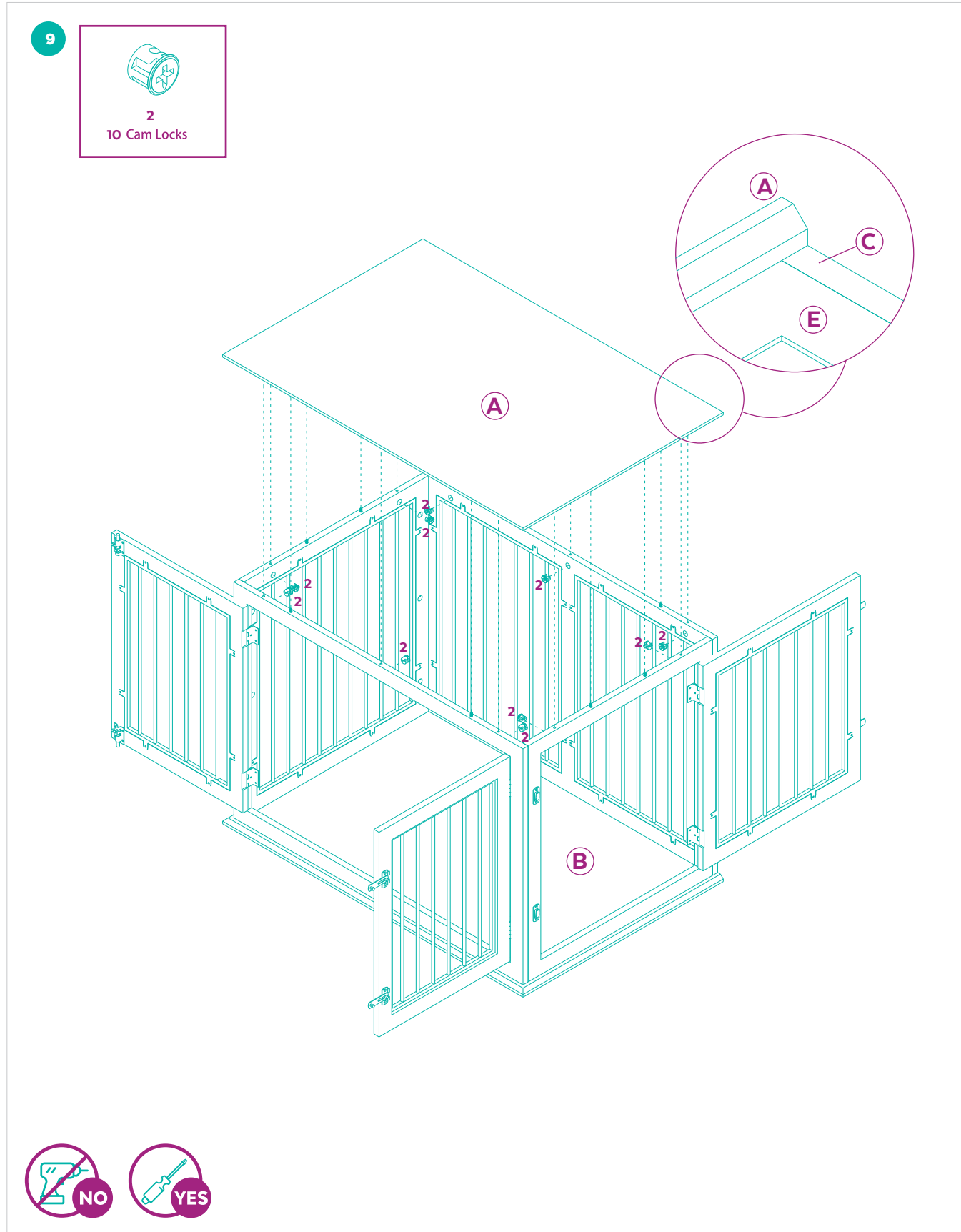


STEP 7 Align the bottom panel (B) to panels (C,D,E and F) and install the screws (4).

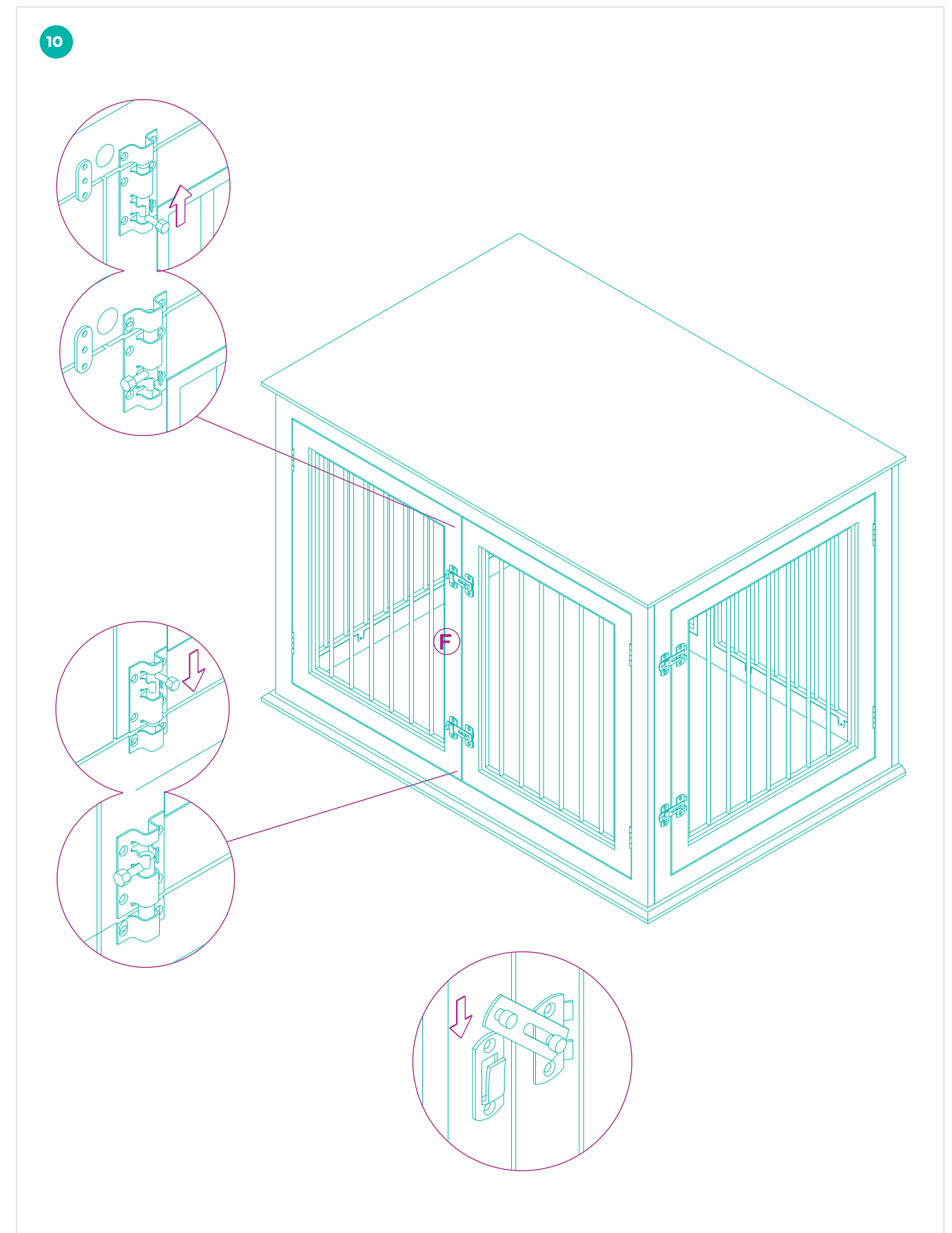


STEP 8 Turn the crate so the bottom (B) is on the ground. Install the wooden dowels (3) into the top of panel C, D, E and F. The wooden dowels go into the LARGER holes.

42" -Two Door Wood & Metal Dog Crate



STEP 9 Attach the top panel (A) by guiding the cam lock bolts and wooden dowels into the corresponding holes on the frame of the panels C, D, E and F. Open the doors, then insert and tighten the cam locks with a Phillips head screwdriver.



STEP 10 There are locks located on the inside of the crate at the top and bottom of the front door. To operate, straighten the lock to move up and down and then close the lock by moving it into the lock position. Simple straight, push and turn to lock.



CRATE TRAINING TIPS



INTRODUCTION

Introduce your pet to their new home. Let them explore it first – on their own time. Don't force them or rush the process. Remember, you want your pet to think of their crate as a positive, safe space of their own, so let their natural curiosity lead. If they seems reluctant, entice them to explore by putting their favorite toy inside.



TIME

Acclimate them to it slowly. Once your pet is comfortable, get them used to the idea of staying in their crate little by little. At first, keep them inside the crate by sitting or standing in front of the open door while talking soothingly. Do this for a short amount of time, then gradually increase it. Eventually, close the door, leaving it closed for a short duration, increasing it gradually. Praise and reward them with treats each time. Remember, positive associations!



DENNING

Appeal to your pet's instinct as a denning animal. Help them associate their crate with a den (or a castle) of their own by creating the safe space where all their basic needs are met. And make it comfy for them by placing a towel, bed or blanket at the bottom.



BATHROOM

Take your pet out for regular potty breaks. Wild animals don't do their business in their dens. Reinforce this natural instinct in your pet by taking them outside, away from their "castle" to do their business. And do it regularly. Younger animals especially need to be let out more frequently.



POSITIVE ASSOCIATION

Never put your pet in their crate as punishment. That creates negative associations and will make them reluctant to use it.



PROFESSIONAL HELP

Always consult your veterinarian or trainer with specific questions for crate training your pet.

MAINTENANCE

To provide your pet with the most comfortable "castle" possible, clean their crate routinely with a mild, non-toxic cleaner and water.

WARNINGS AND CAUTIONS

We care about the safety of your pet, so please READ AND FOLLOW ALL INSTRUCTIONS before using a new crate. Improper use may result in serious injury or even the death of your pet.

- To prevent choking and other serious injuries, always remove any collars, tags or leashes from your pet before placing them in their crate.
- You can transport your pet in their crate for short distances inside the home, but not for long distances. Please use a carrier specifically designed for the purposes of pet long-distance transport.
- This crate is not designed to restrain aggressive breeds of dogs who may thrash and launch themselves inside the crate. Consult your veterinarian for recommendations on restraining aggressive pets.
- Before your pet enters his crate, make sure that it's secure. Double-check that the crate is properly assembled, all screws are tightened, and all locks are secure before leaving your pet inside their crate.
- It's never a good idea to leave your pet inside their crate for too long. Remember, pets need time to socialize, exercise and go potty! Consult your veterinarian or trainer to determine the appropriate amount of time that your pet can safely and comfortably be left in their crate.
- Make sure that your dog's paws are large enough that they won't slip through the bars in the floor panel.
- Always be sure your pet has enough food and water before leaving them in their crate.
- Consult your veterinarian about whether it's safe to leave food, toys or other items in the crate with your particular pet. Pets all have unique personalities and habits, so what works for one might not work for another.
- Never place multiple pets into one crate.
- Never use the crate without its metal tray properly fitted and secured, and be sure not to place your pet into a crate with a damaged tray.
- Please, never allow your children to play in, on, or around the crate.
- We know how excited pets can get, but do be sure to make sure their paws, snout, ears or tail aren't in the way of the door hinge or latch. Ouch!
- Never place your pet's crate in direct sunlight or store your crate outside or in a car, because the metal can become very hot. Never leave your pet in a closed car on a hot day. Serious heatstroke or death could result from an overheated pet.
- While we are dedicated to providing the best for your pet, Chewy, Inc. is not responsible for any loss, damage, discomfort, injury, illness, death or costs of any kind as a result of or by use of this crate.

QUESTIONS?

**CALL OUR FRIENDLY CUSTOMER SERVICE TEAM ANYTIME.
WE'RE HERE 24/7! 1-800-67-CHEWY (672-4399)**