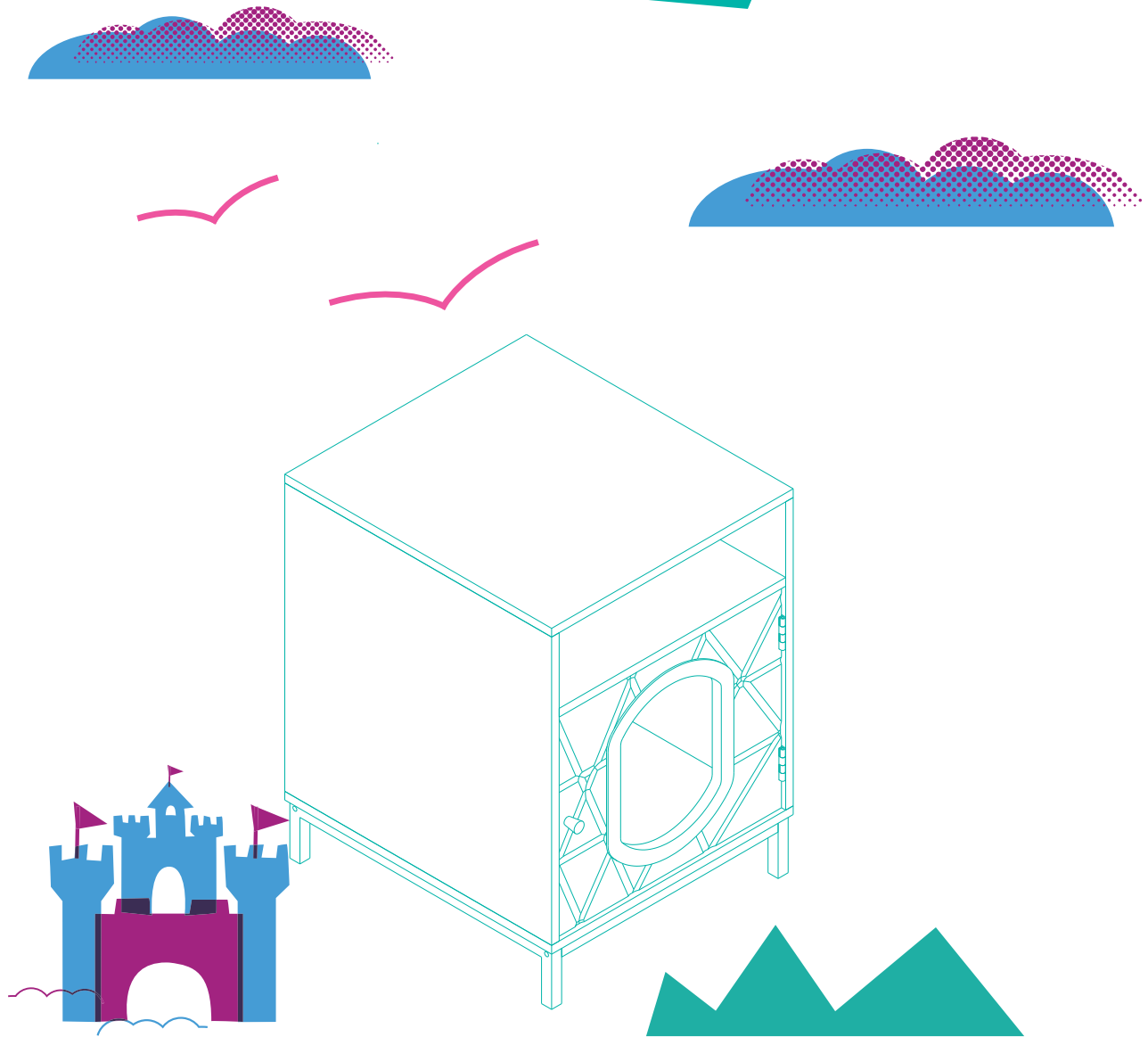


**frisco.**  
better pet goods



FOR SAFETY, REMOVE LEASH AND COLLAR  
BEFORE YOUR PET ENTERS THE LITTER BOX COVER.

SKU#322627

# FRISCO ELEVATED SIDETABLE LITTER BOX COVER

## INSTRUCTION MANUAL

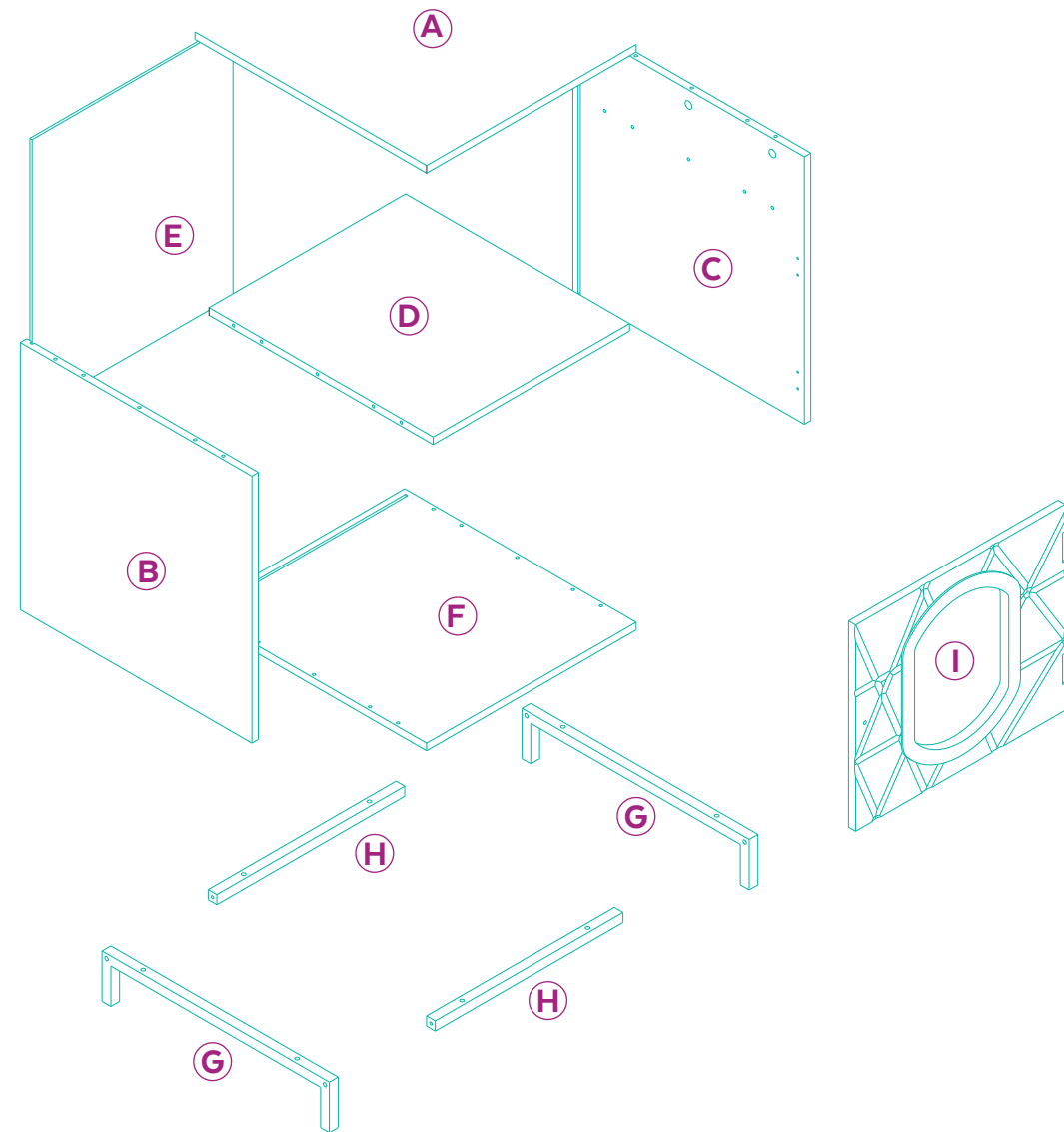
FOR PET USE ONLY

## BEFORE ASSEMBLY

- ✓ Read all instructions and confirm all parts are included before starting assembly.
- ✓ Aside from the included parts, you'll also need a Phillips head screwdriver. There are no power tools needed.
- ✓ Do not tighten all bolts and screws completely until the entire Litter Box Cover has been assembled and set up.
- ✓ Although this Litter Box Cover can be assembled by one person, we recommend enlisting a friend for easier assembly.
- ✓ To avoid misplacing hardware components, we recommend opening and placing hardware on the pan while assembling the Litter Box Cover.



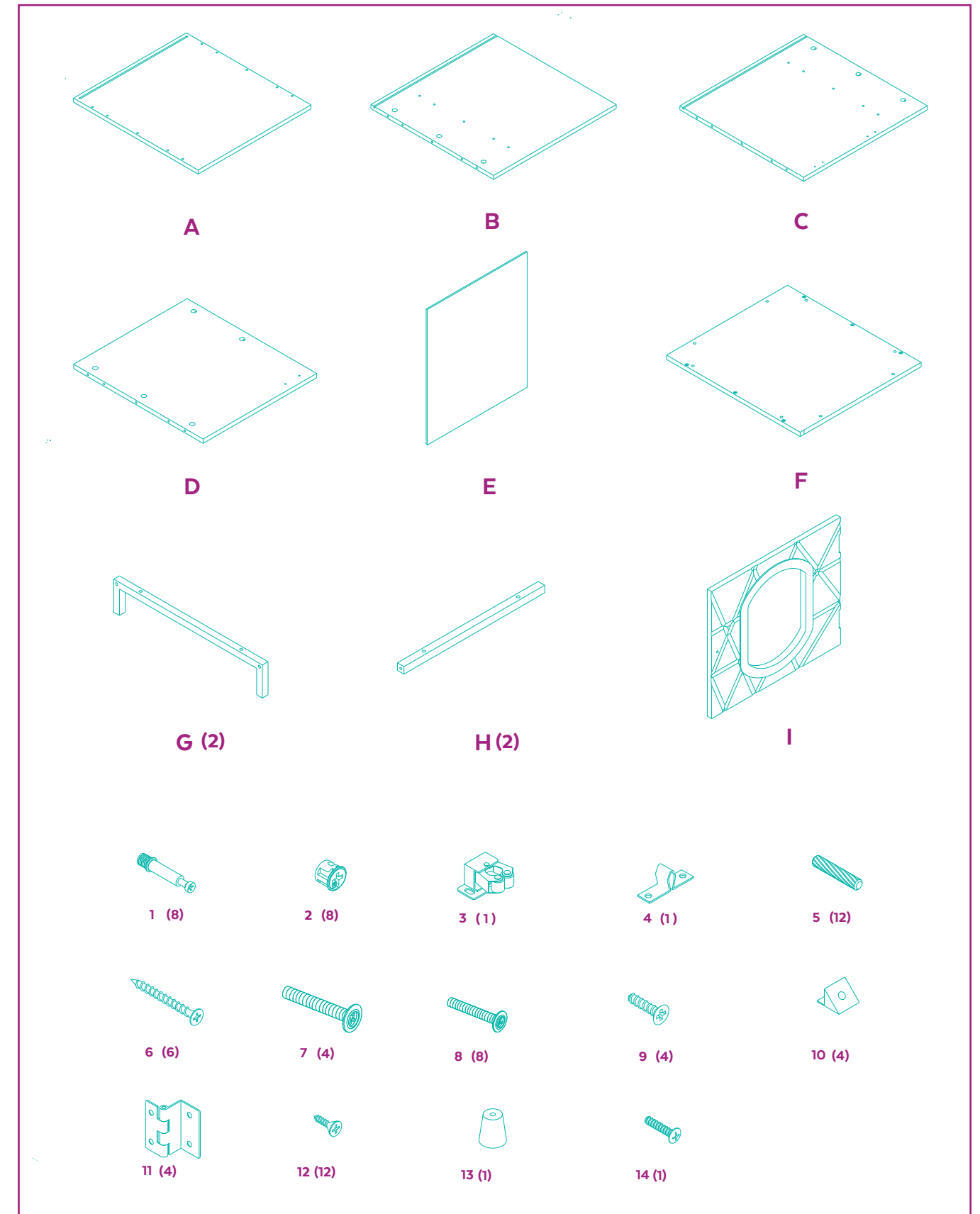
## OVERVIEW



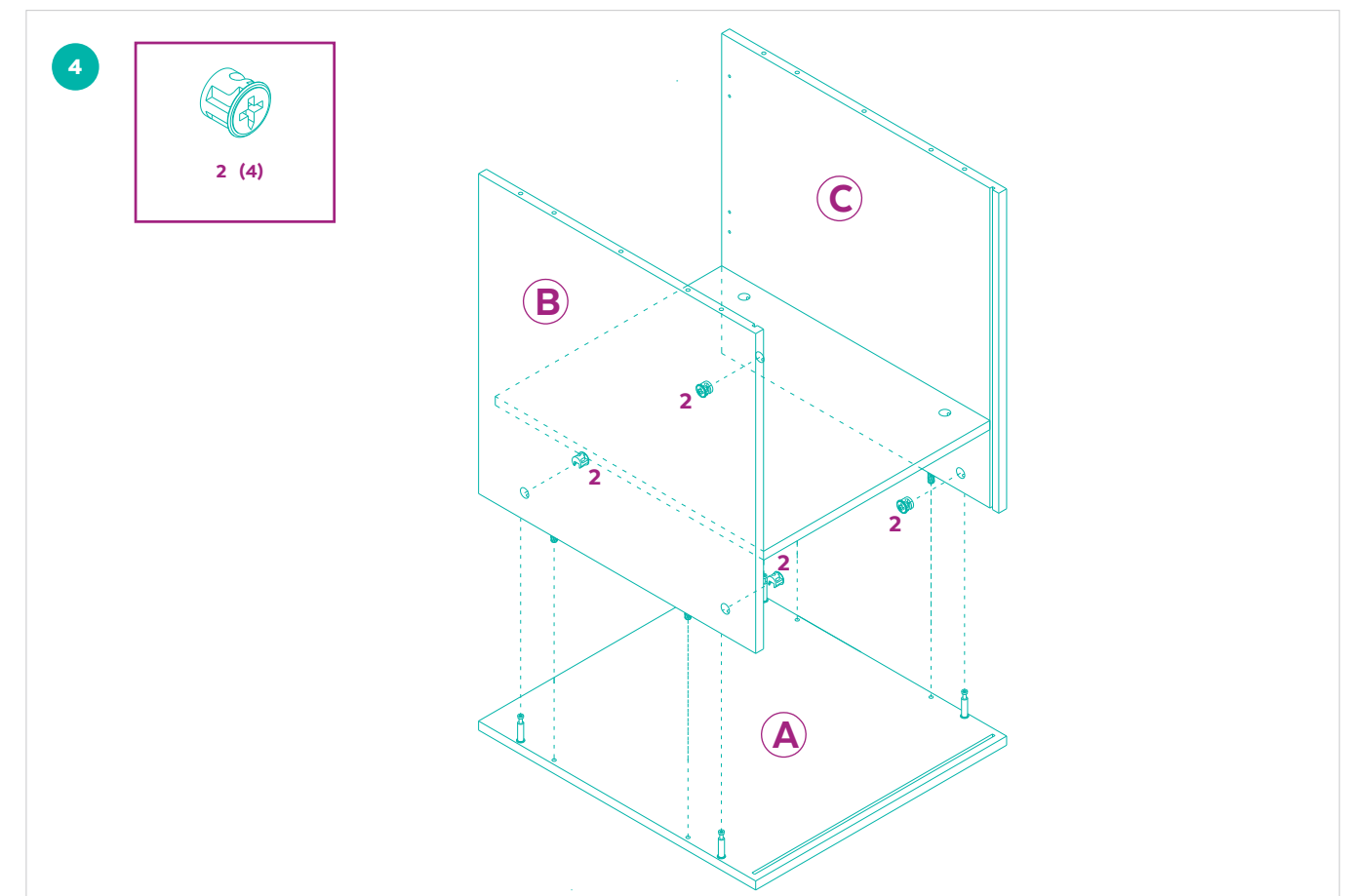
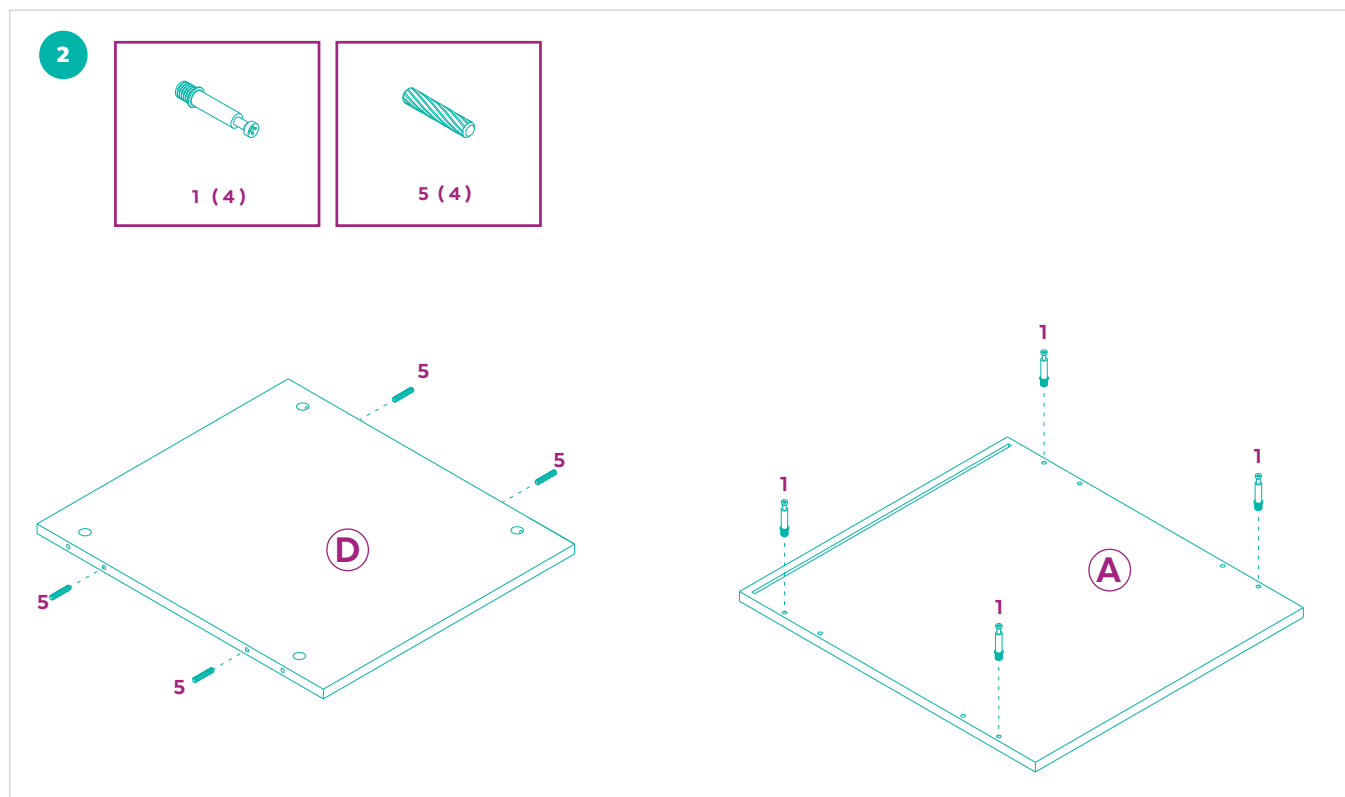
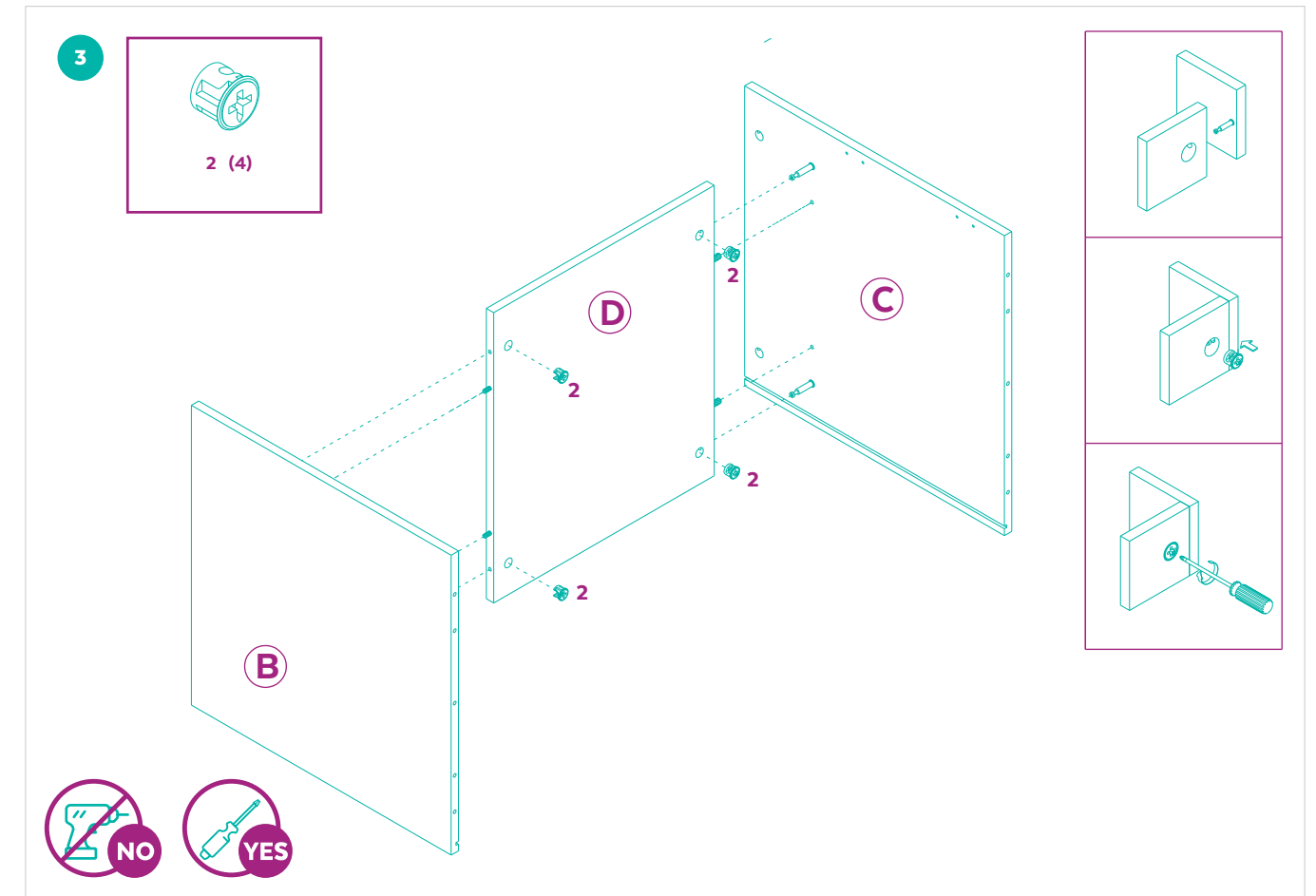
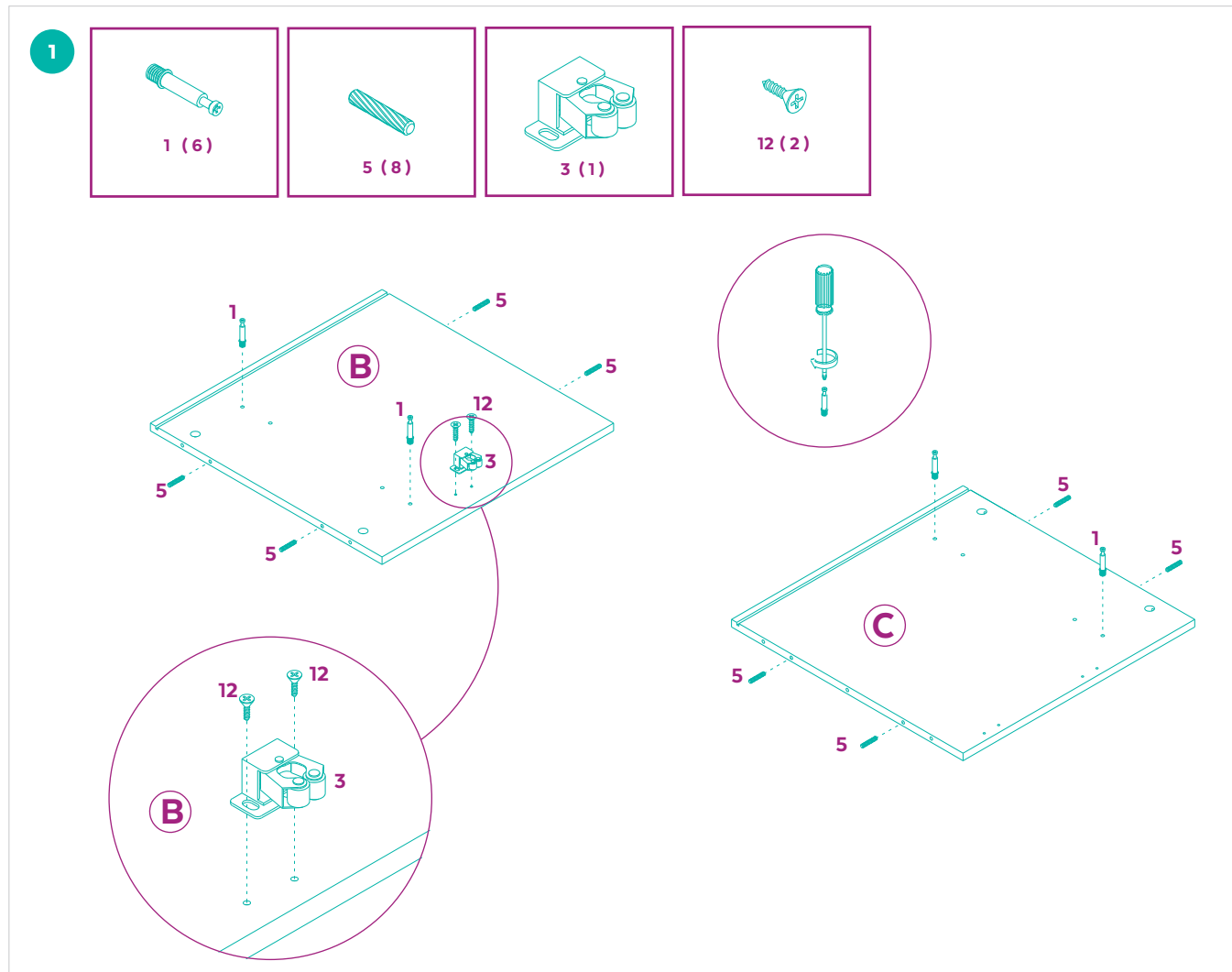
For questions, please call 1-800-672-4399.

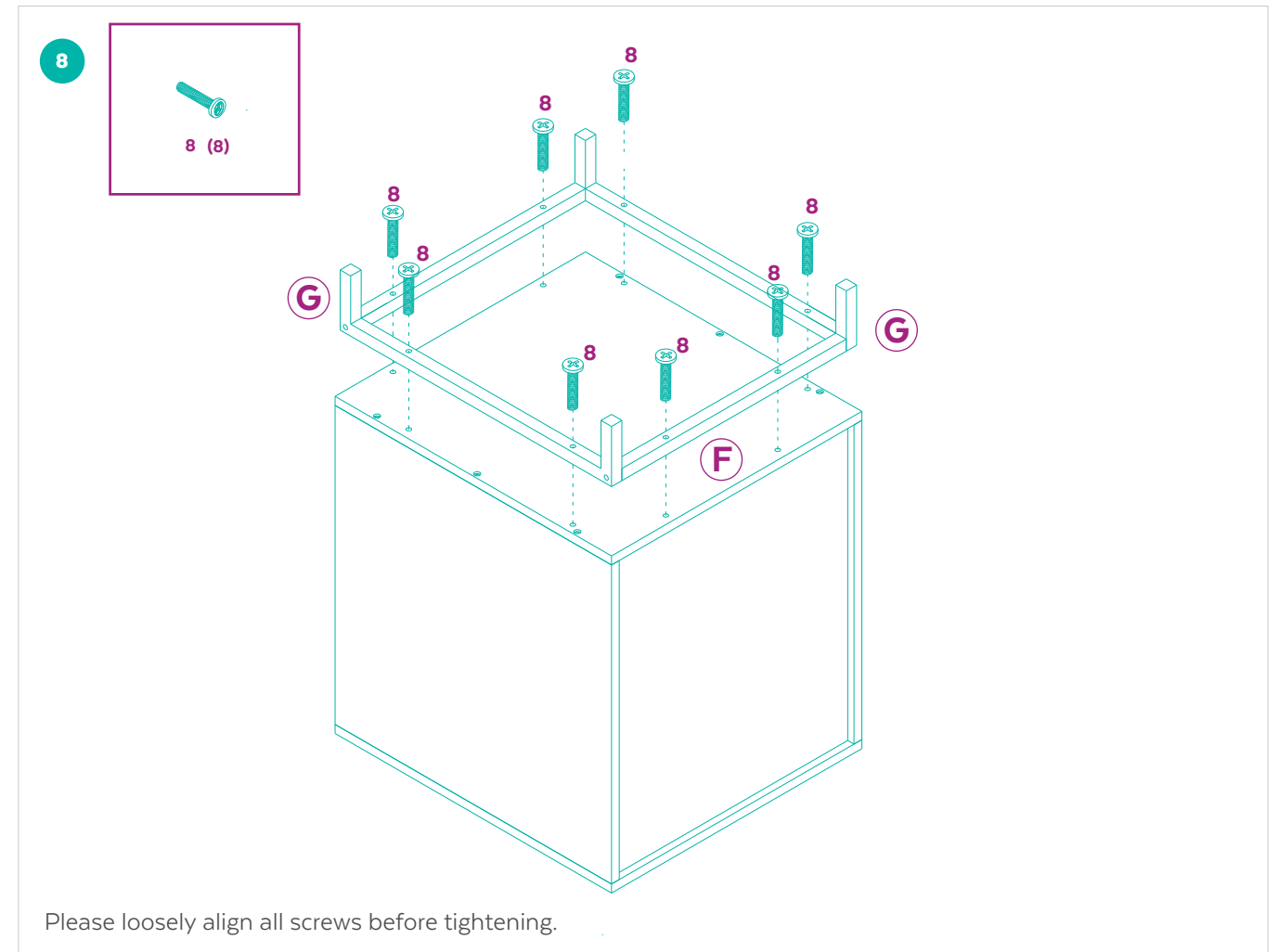
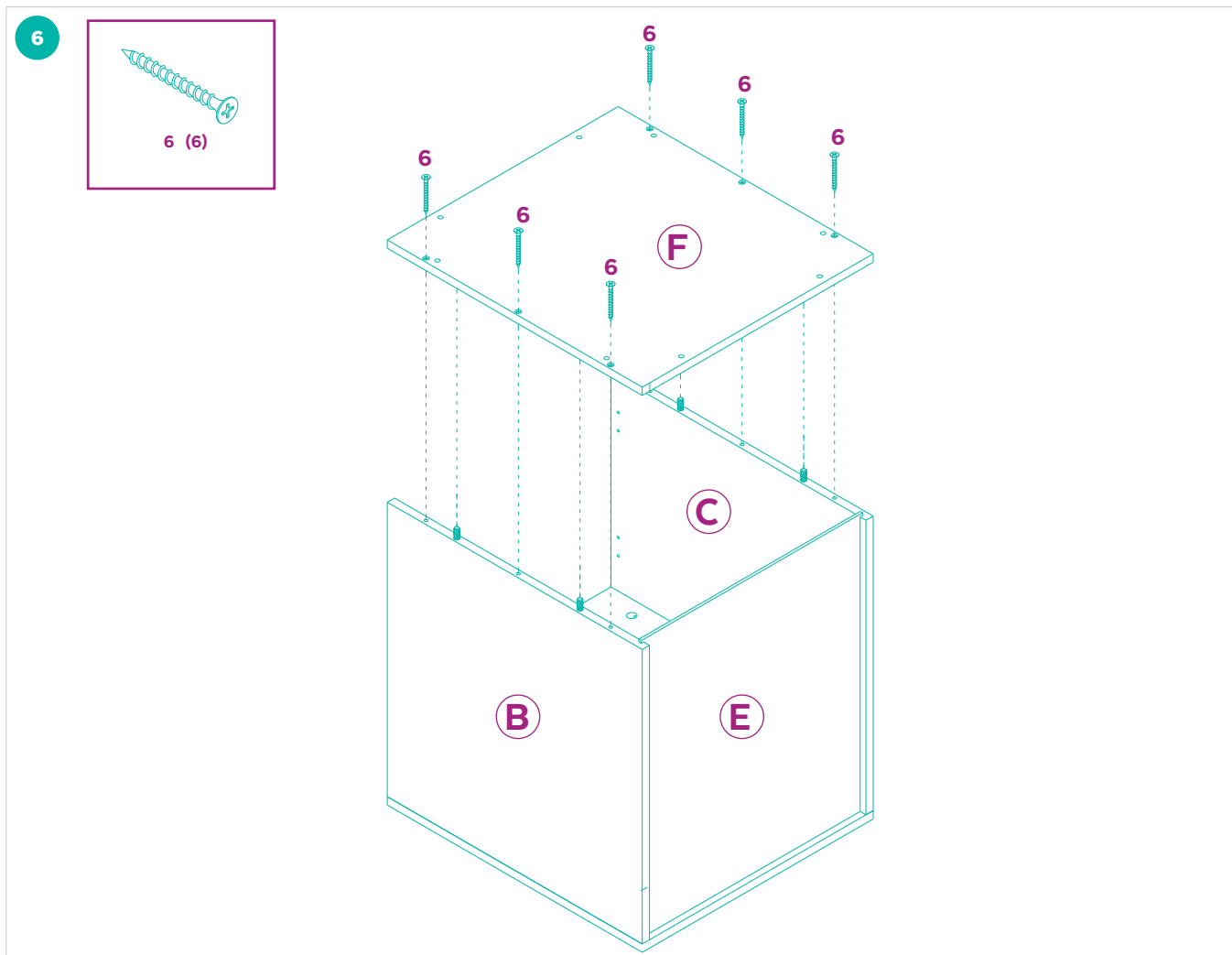
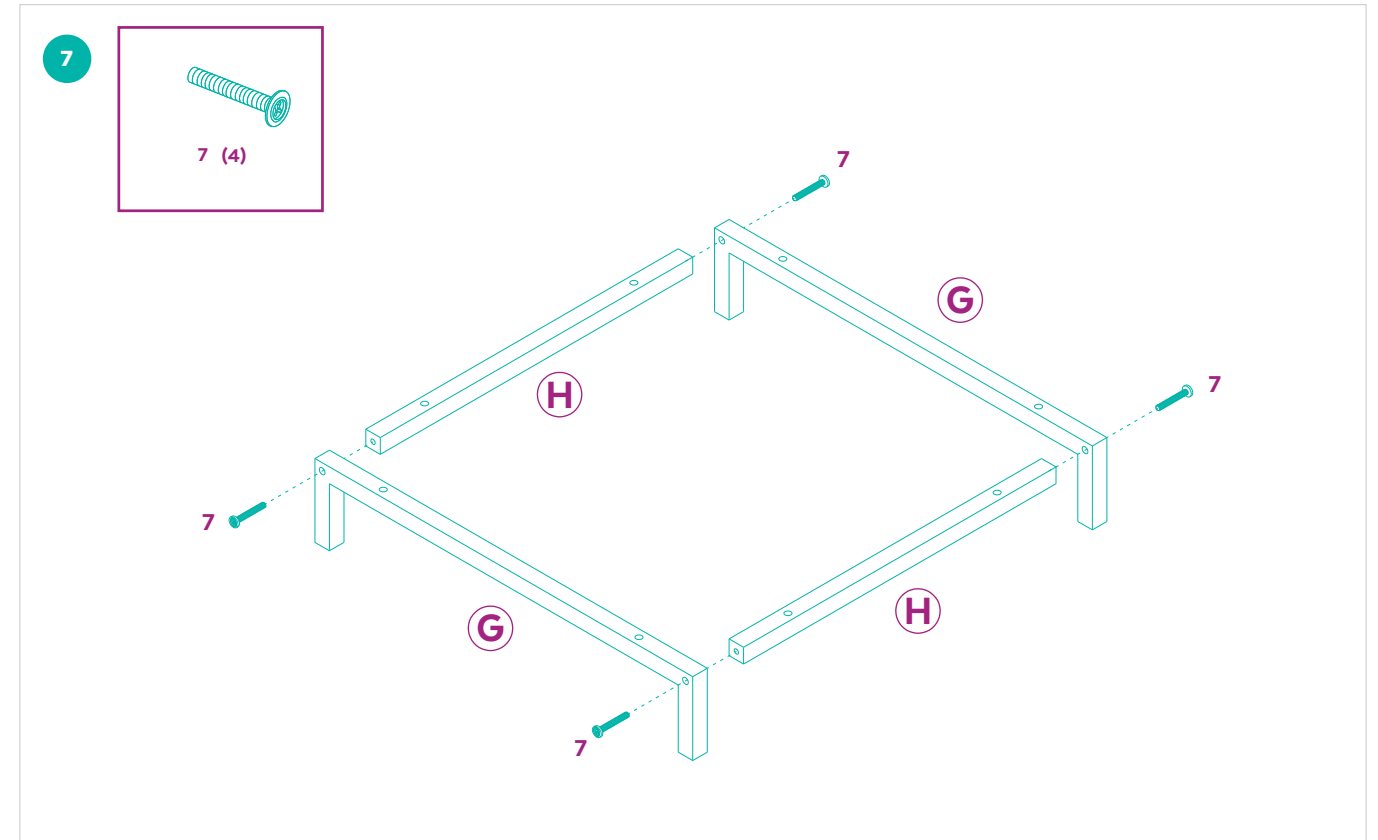
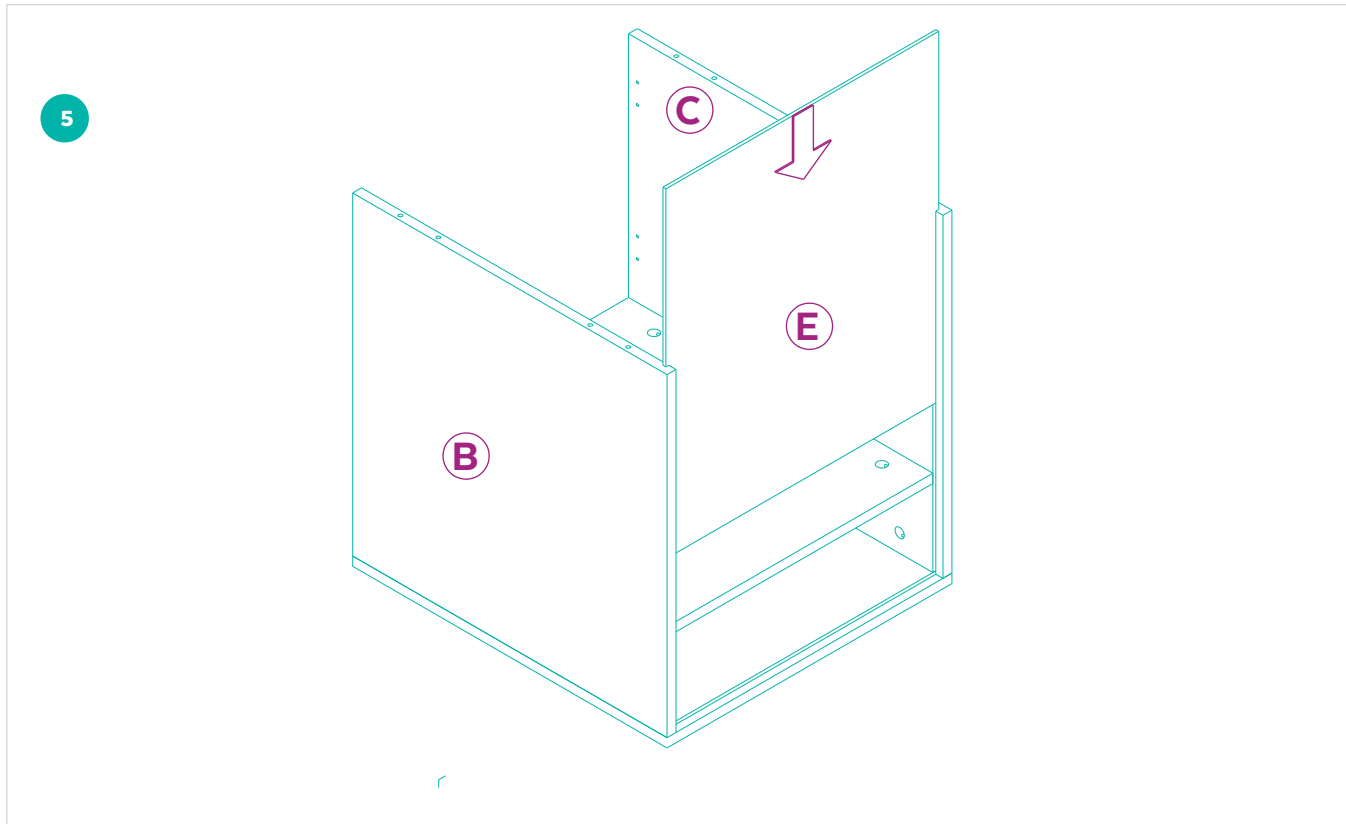
## PARTS INCLUDED

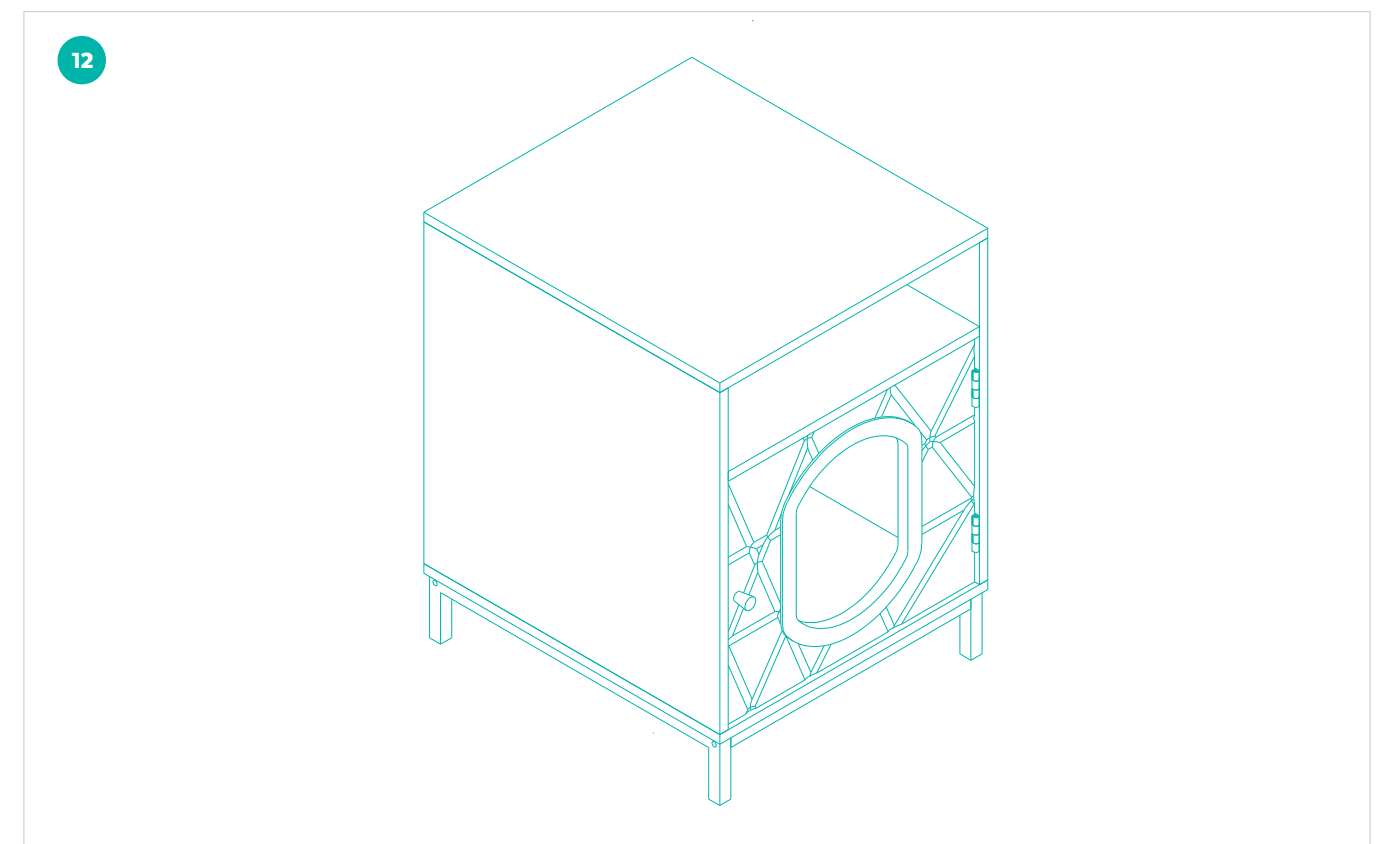
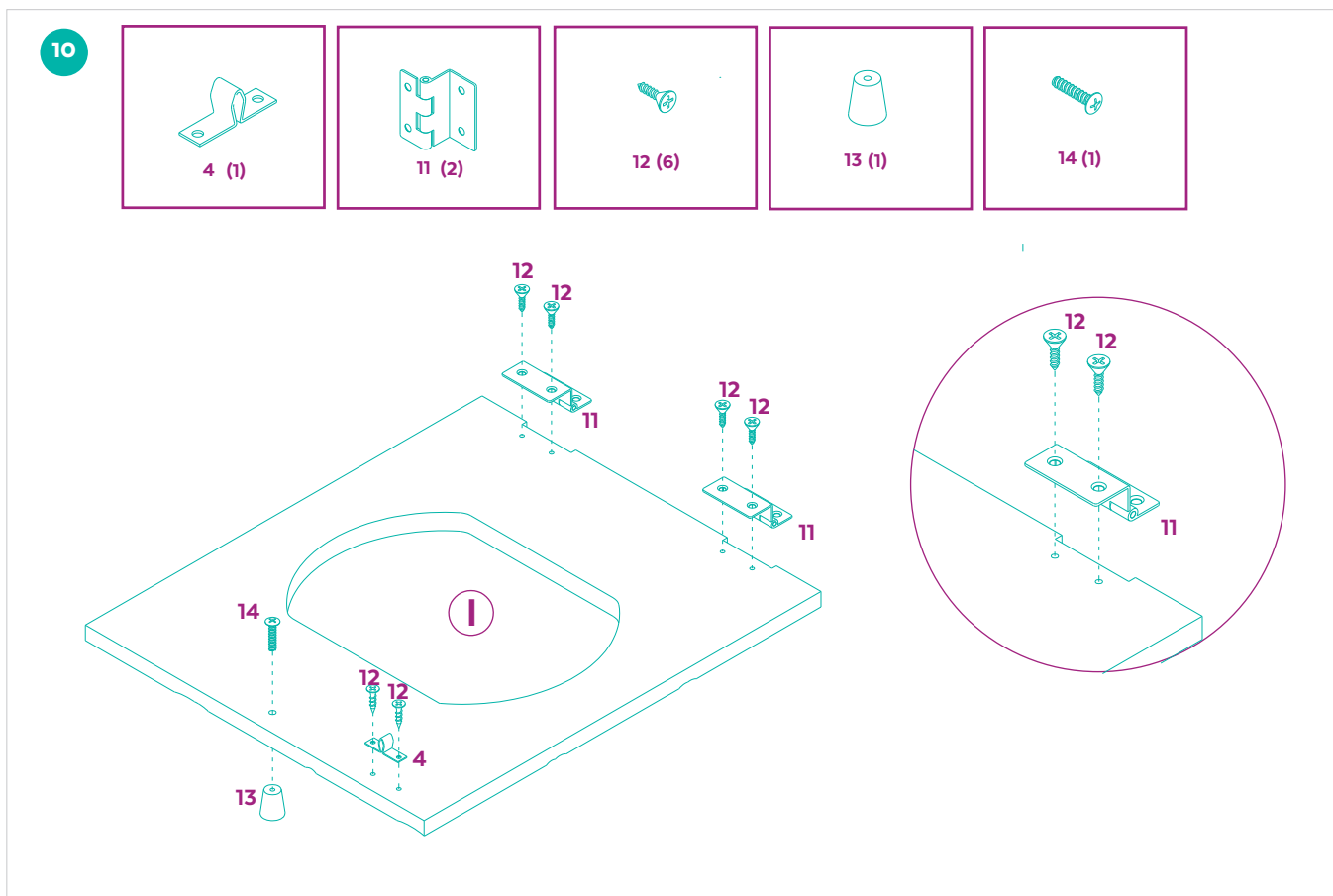
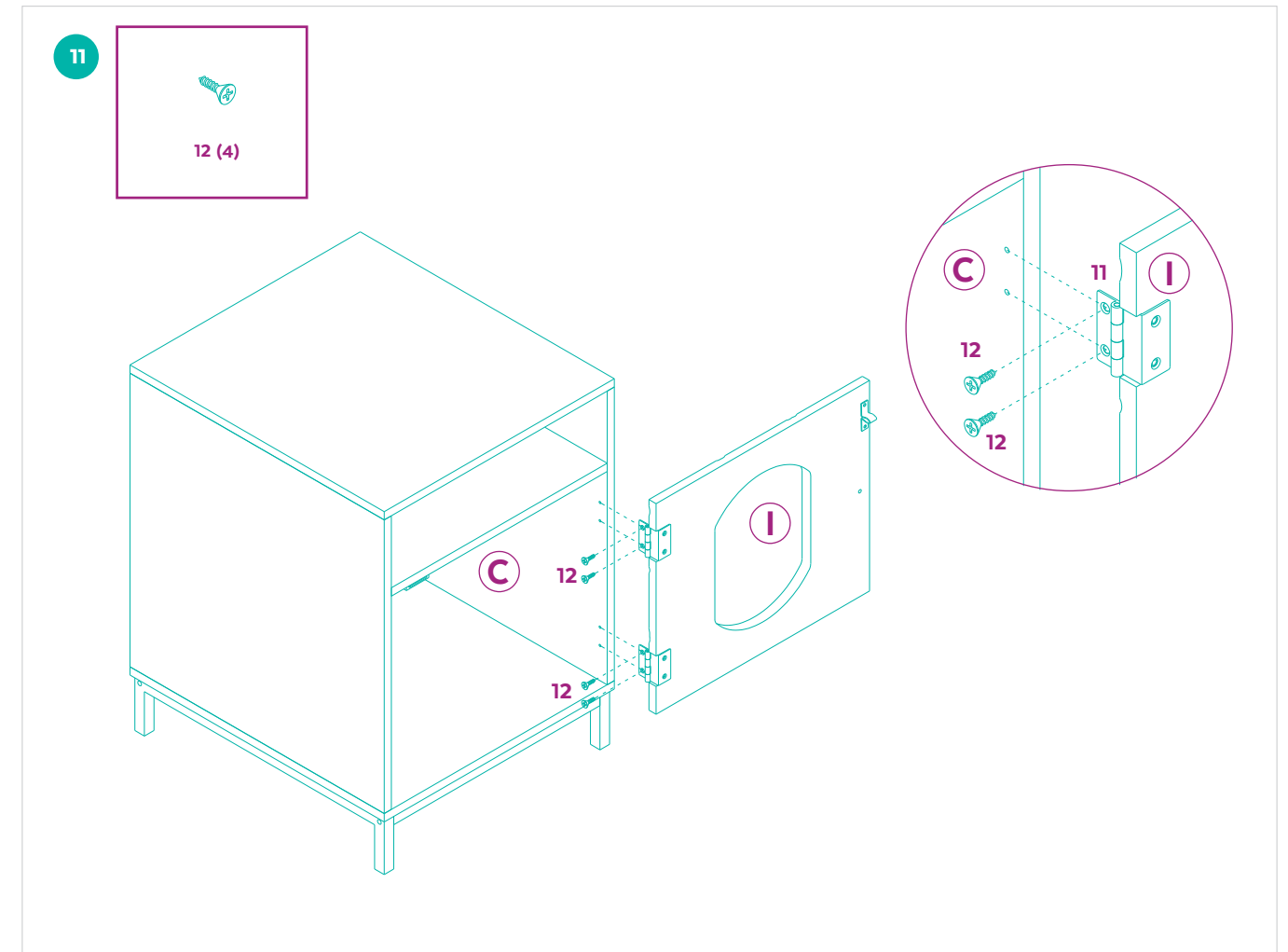
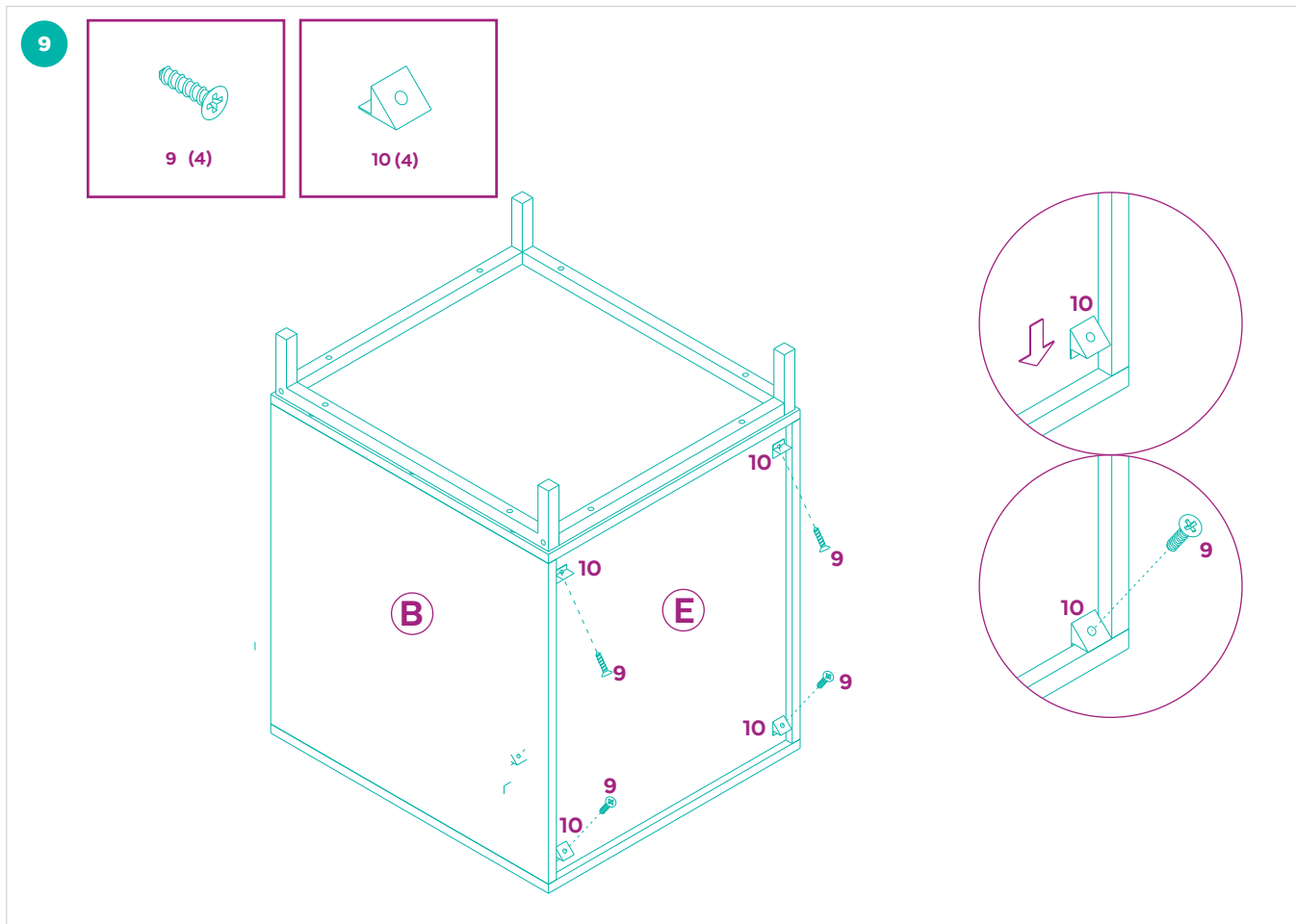
Prior to assembly, please be sure to identify and sort all parts shown below.



For questions, please call 1-800-672-4399.







## NICE AND TIGHT? ALRIGHT!

---

After you double-check to make sure ALL cam locks are securely tightened, your stylish litter enclosure can be open for business!

## WARNINGS AND CAUTIONS

---

**Please read all warnings and instructions thoroughly before assembling.**

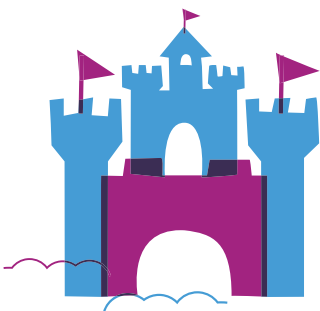
- Grab a friend—it's recommended that two people assemble this product.
- Assembly should be completed on a clean, level surface.
- Power tools are not recommended for assembly.
- Please handle all panels and hardware with care to avoid any damage.
- This litter box cover is intended for pet use only.
- Do not sit or stand on the assembled product.

## CLEANING INSTRUCTIONS

---

Spot clean with a damp cloth as needed.

**Tip: To protect against messes, we recommend placing a potty pad under the litter box.**



### QUESTIONS?

CALL OUR FRIENDLY CUSTOMER SERVICE TEAM ANYTIME.  
WE'RE HERE 24/7! 1-800-67-CHEWY (672-4399)