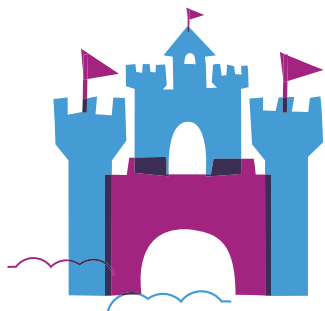
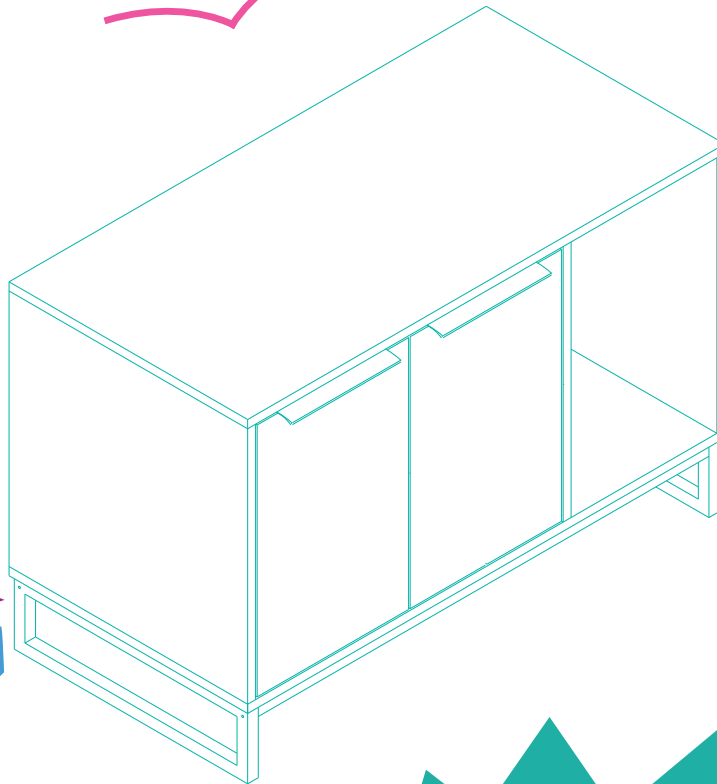
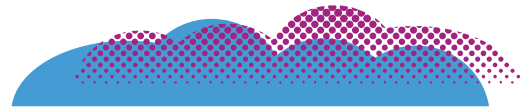


frisco.
better pet goods



FOR SAFETY, REMOVE LEASH AND COLLAR
BEFORE YOUR PET ENTERS THE LITTER BOX COVER.

SKU#322631/334641

FRISCO WALKWAY ENTRANCE TWO DOOR BENCH CAT LITTER BOX COVER

INSTRUCTION MANUAL

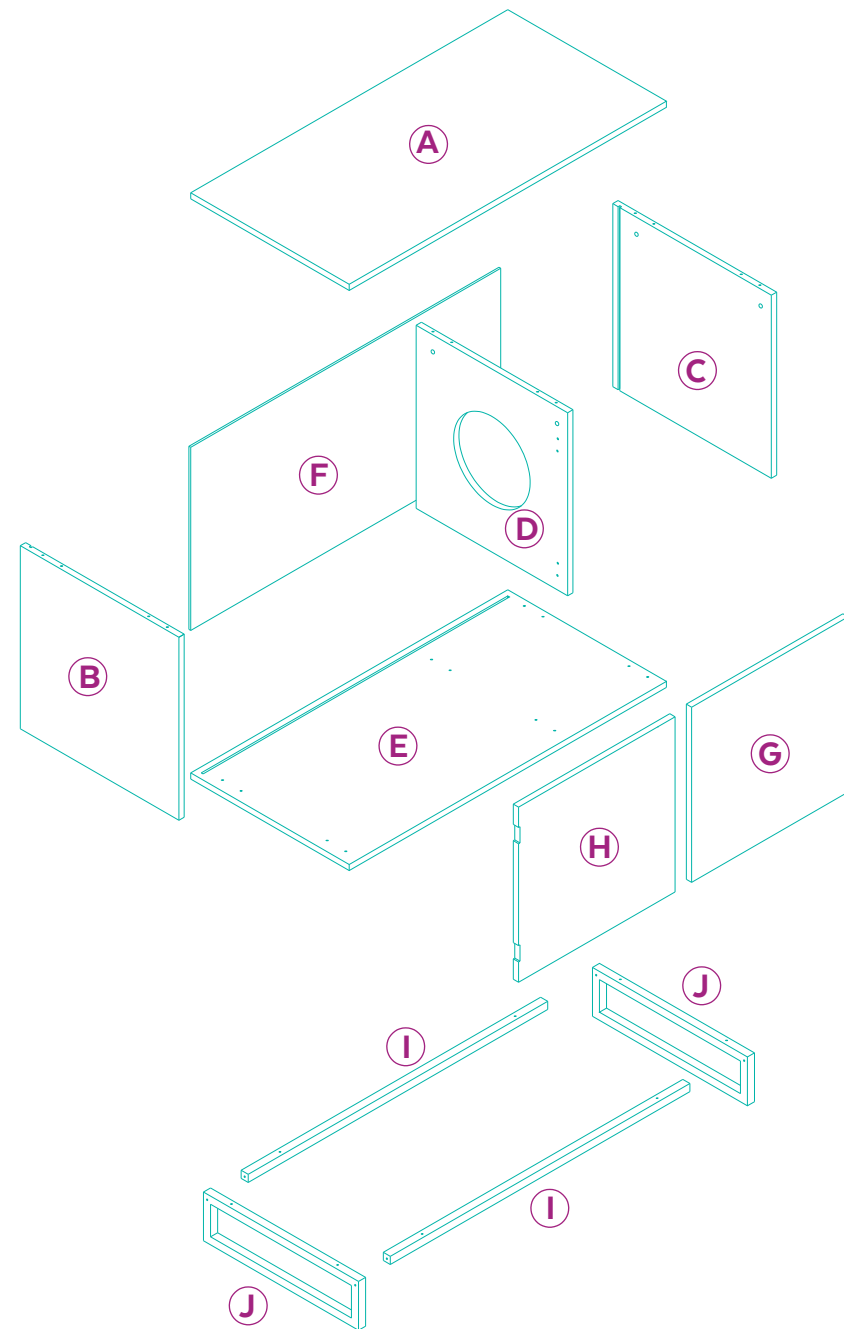
FOR PET USE ONLY

BEFORE ASSEMBLY

- ✓ Read all instructions and confirm all parts are included before starting assembly.
- ✓ Aside from the included parts, you'll also need a Phillips head screwdriver. There are no power tools needed.
- ✓ Do not tighten all bolts and screws completely until the entire Litter Box Cover has been assembled and set up.
- ✓ Although this Litter Box Cover can be assembled by one person, we recommend enlisting a friend for easier assembly.
- ✓ To avoid misplacing hardware components, we recommend opening and placing hardware on the pan while assembling the Litter Box Cover.



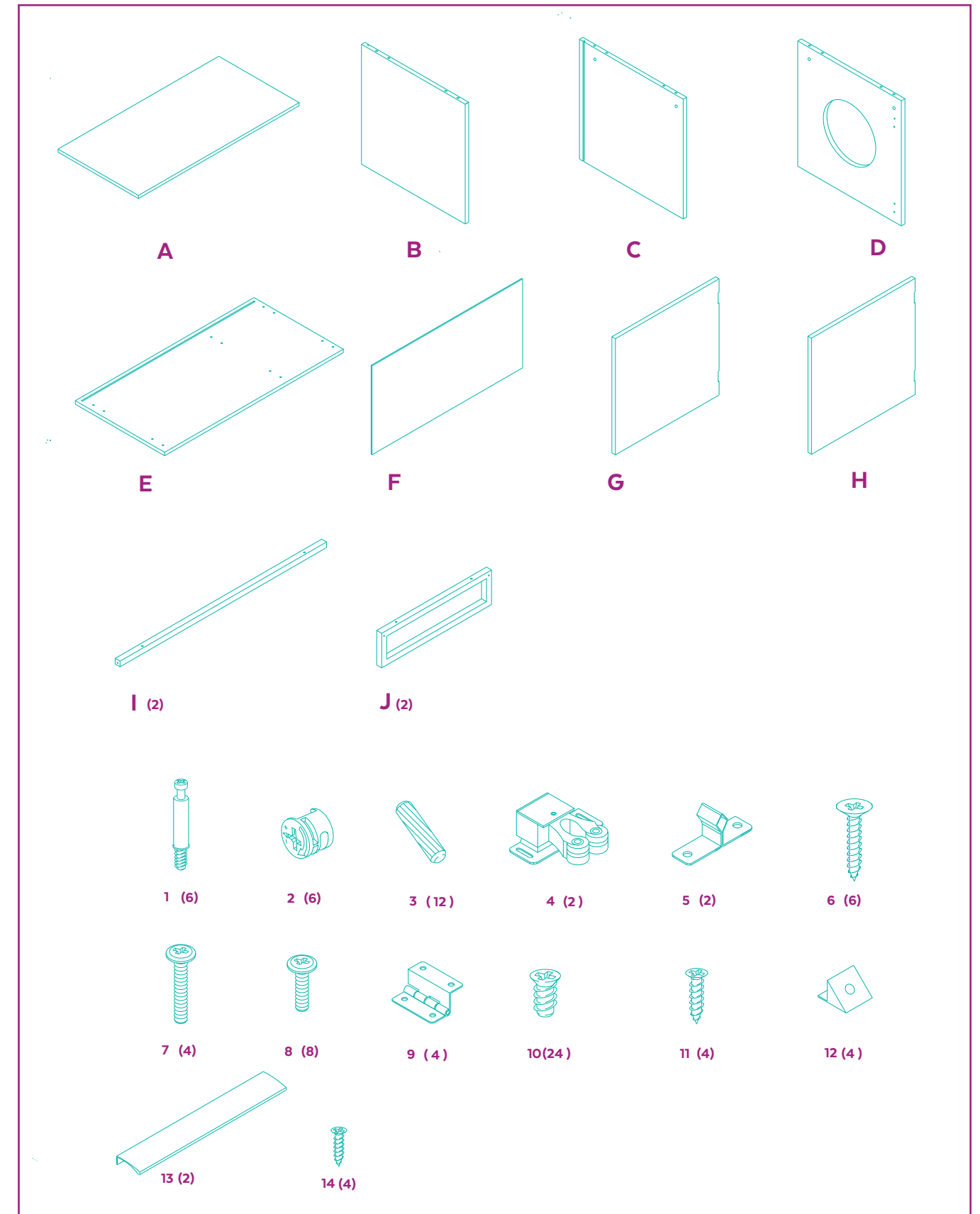
OVERVIEW



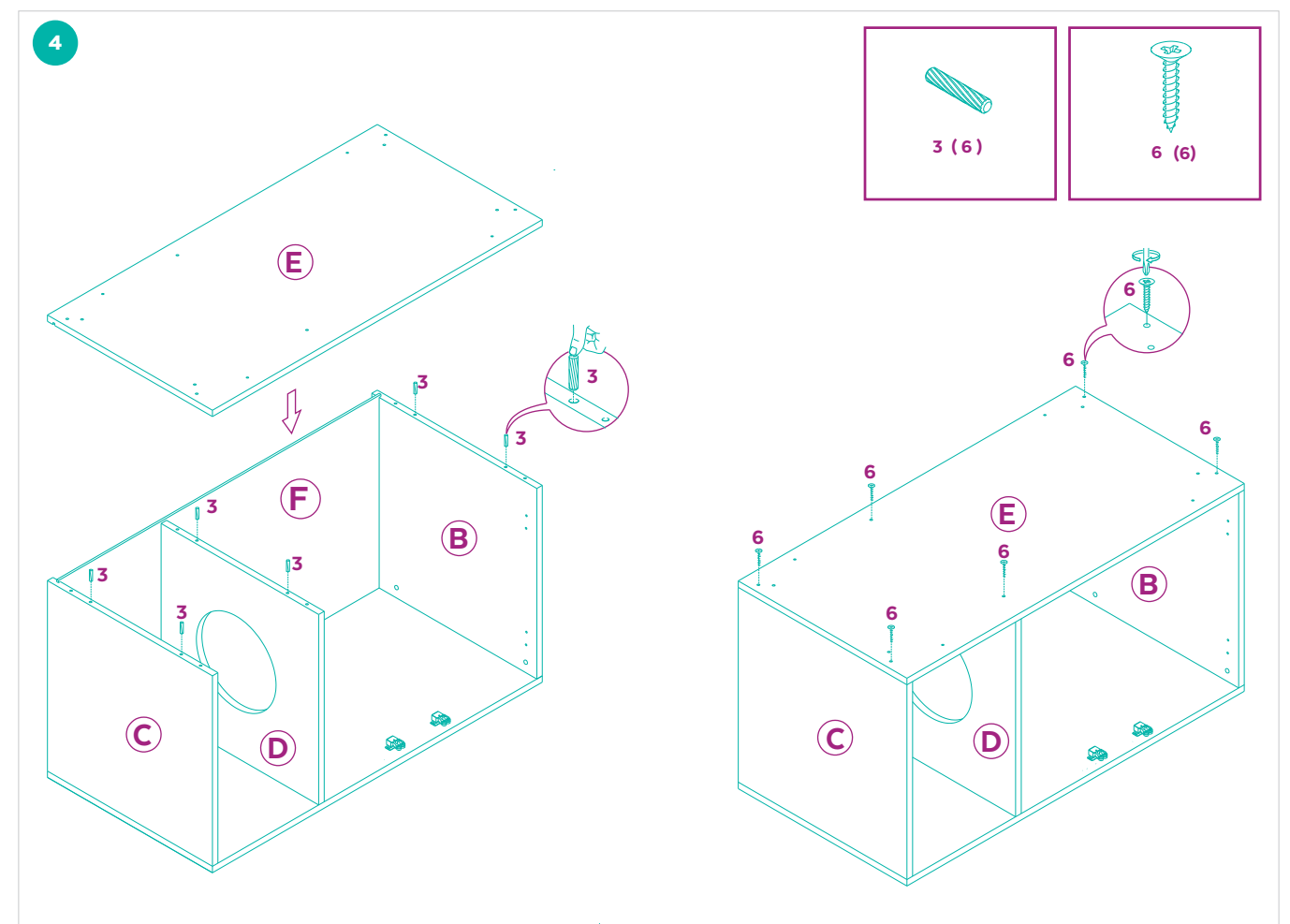
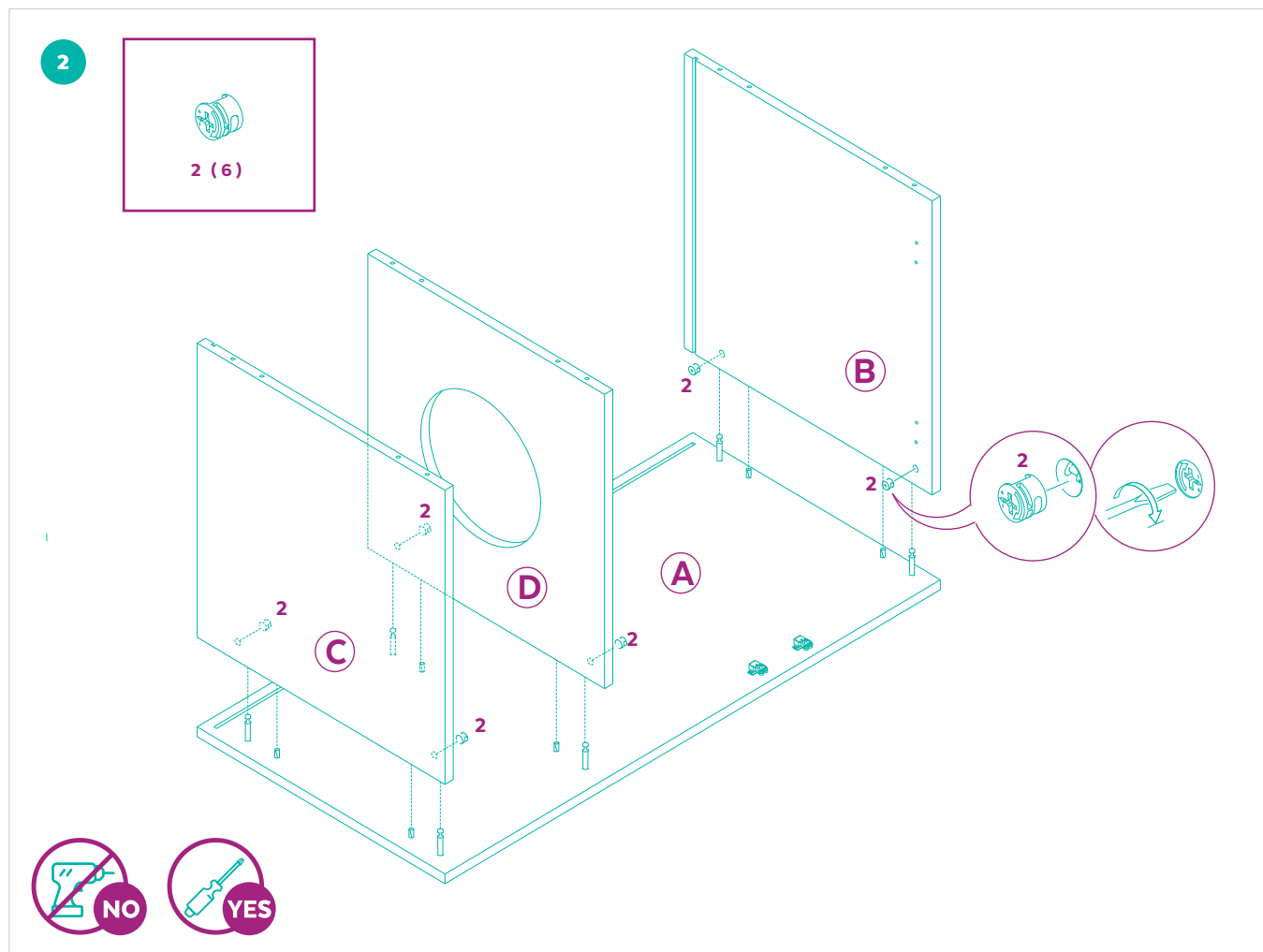
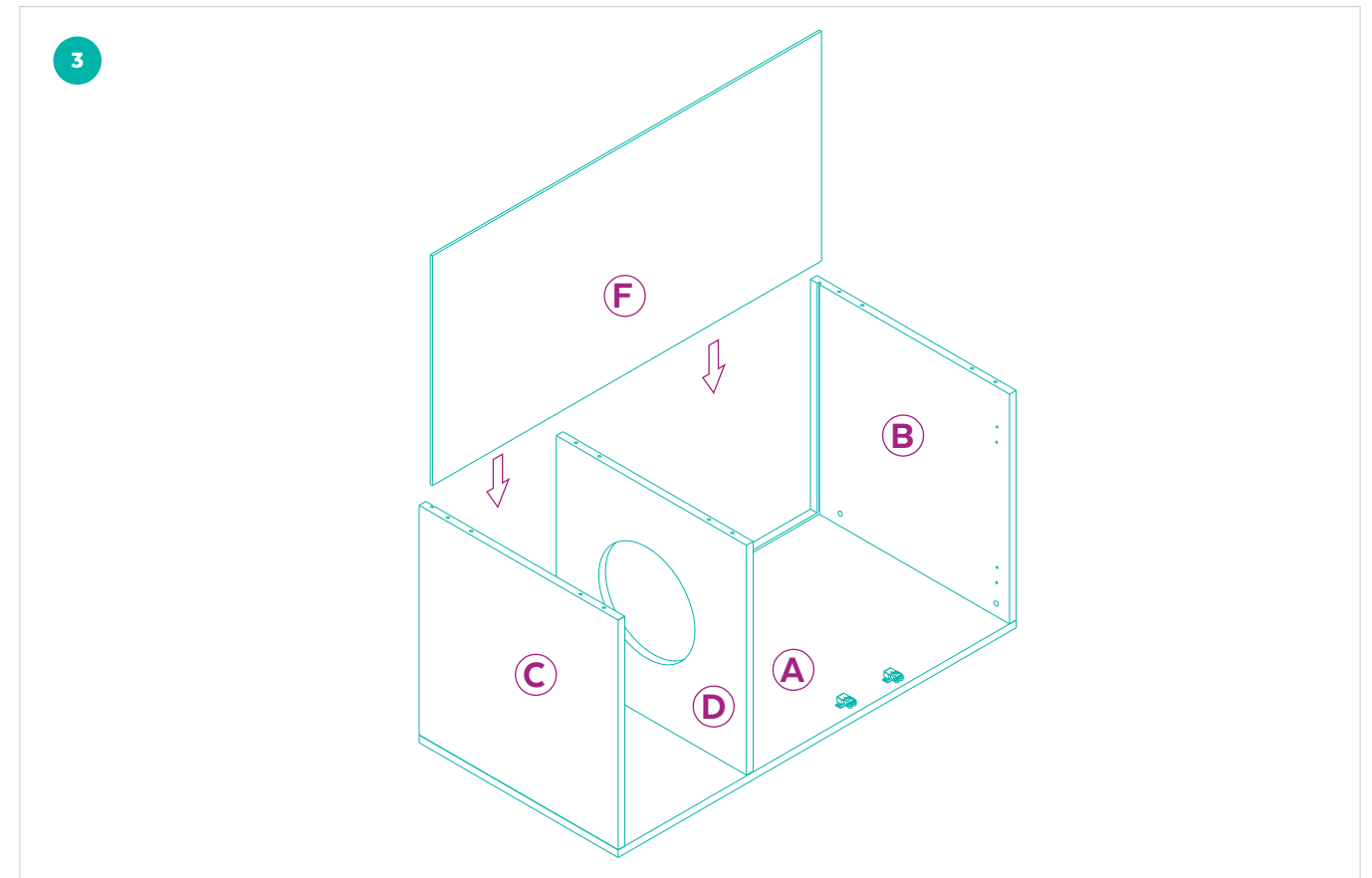
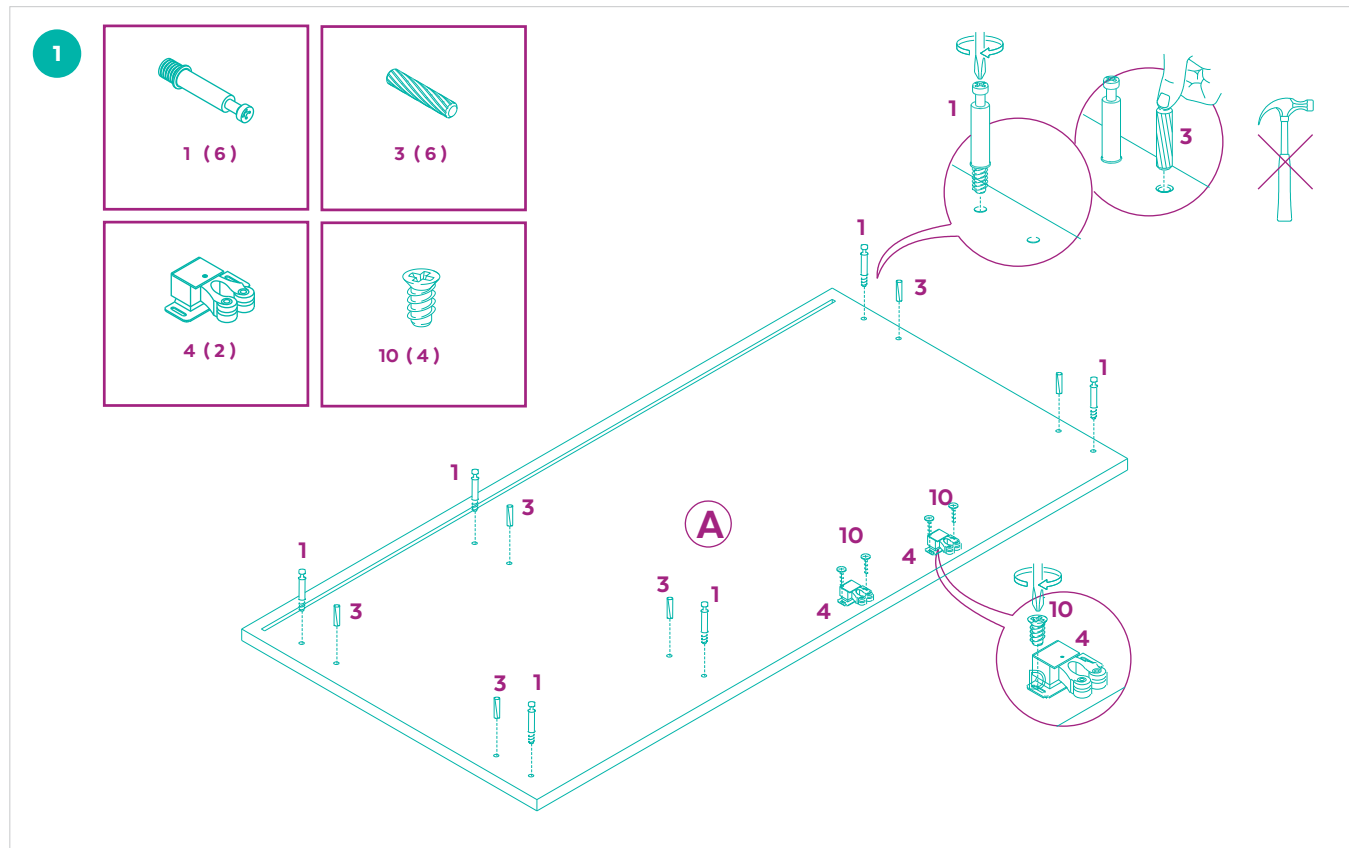
For questions, please call 1-800-672-4399.

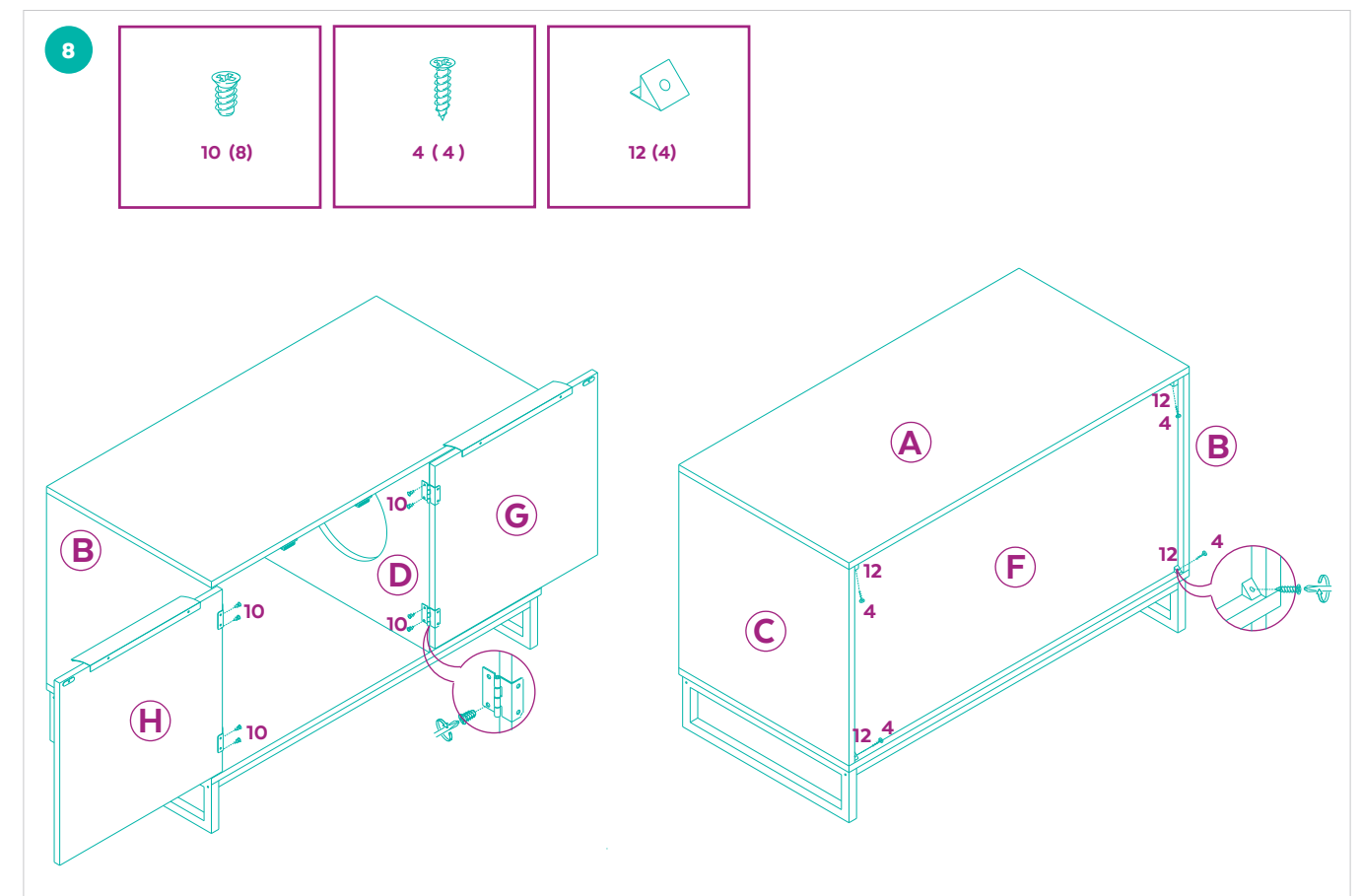
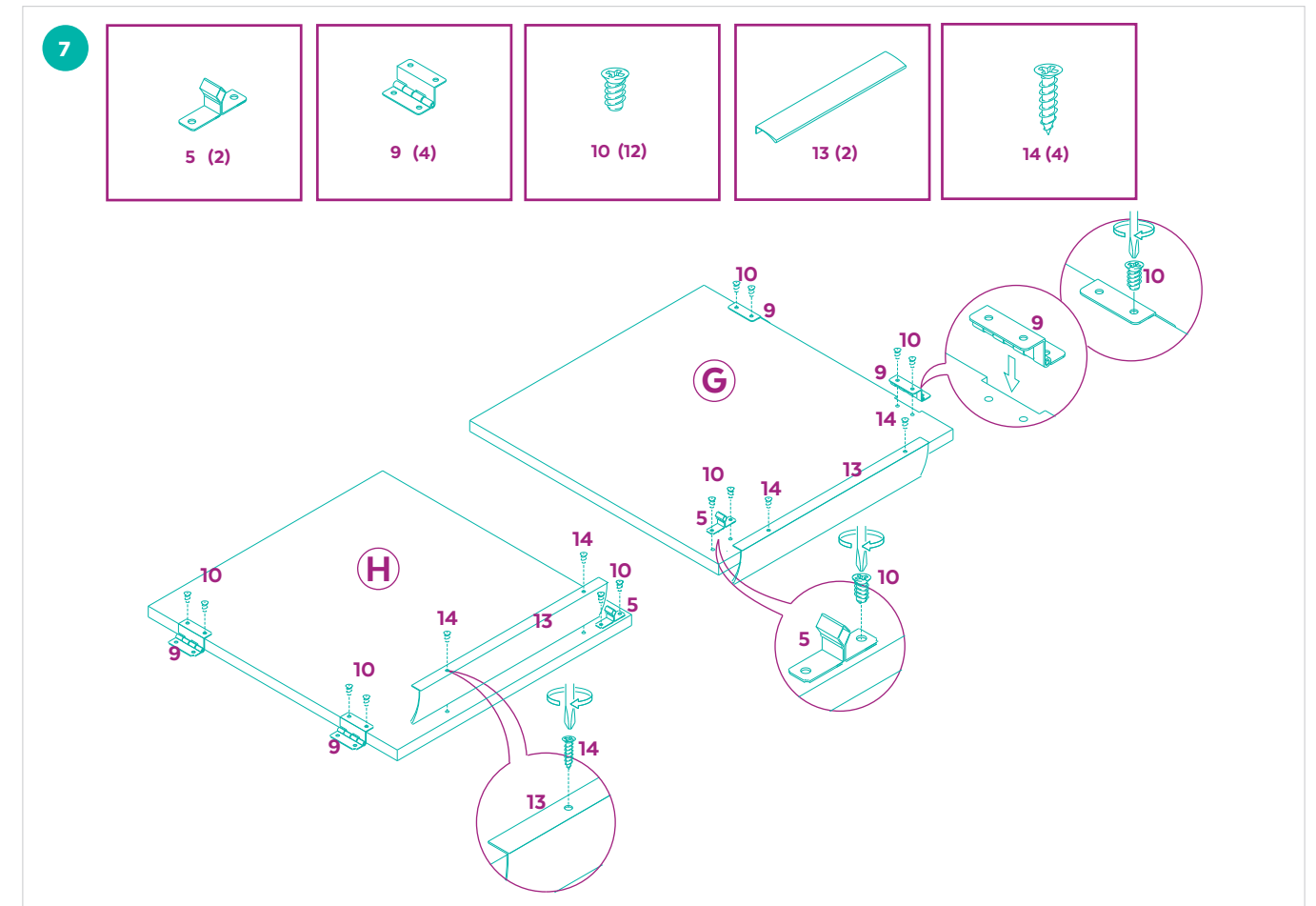
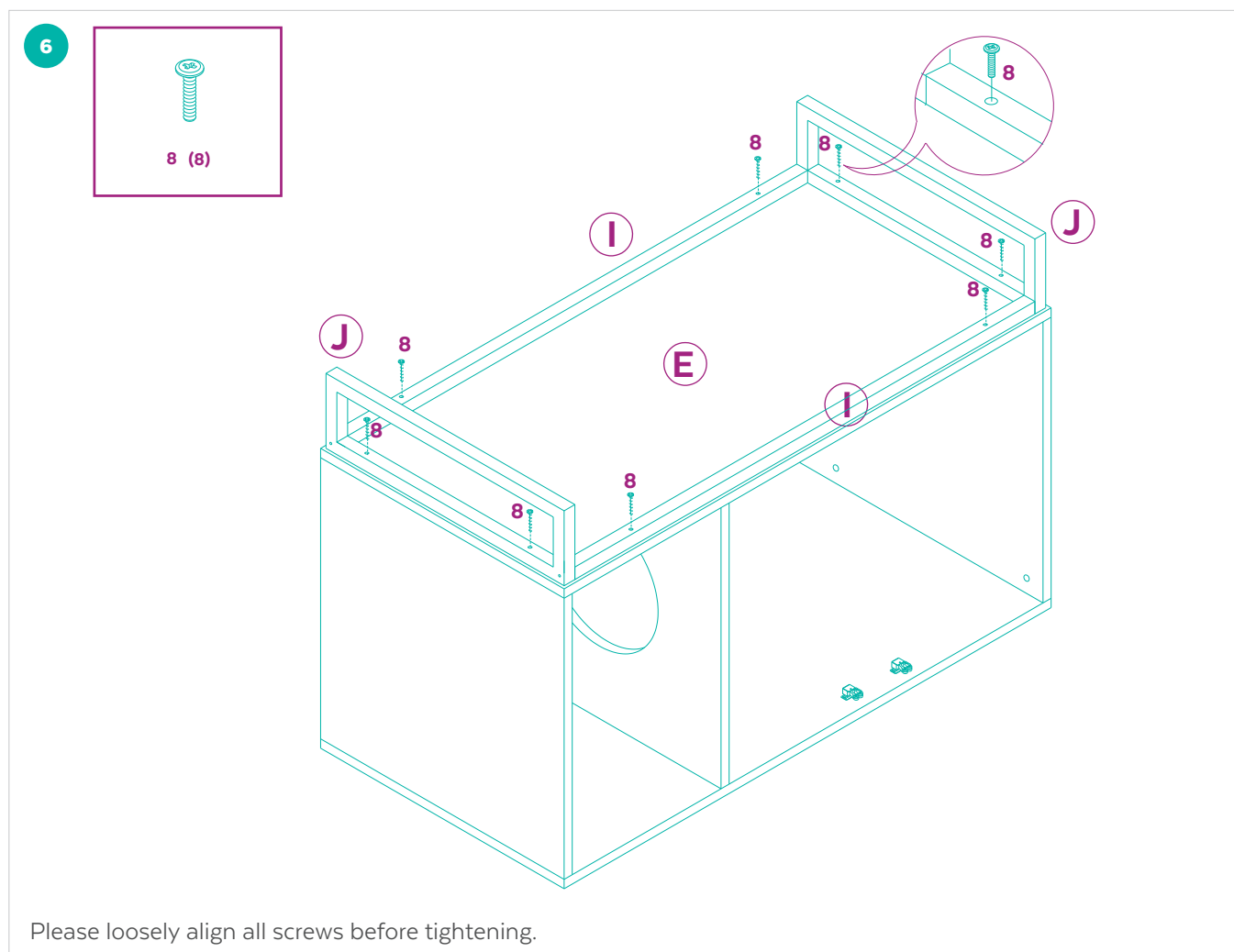
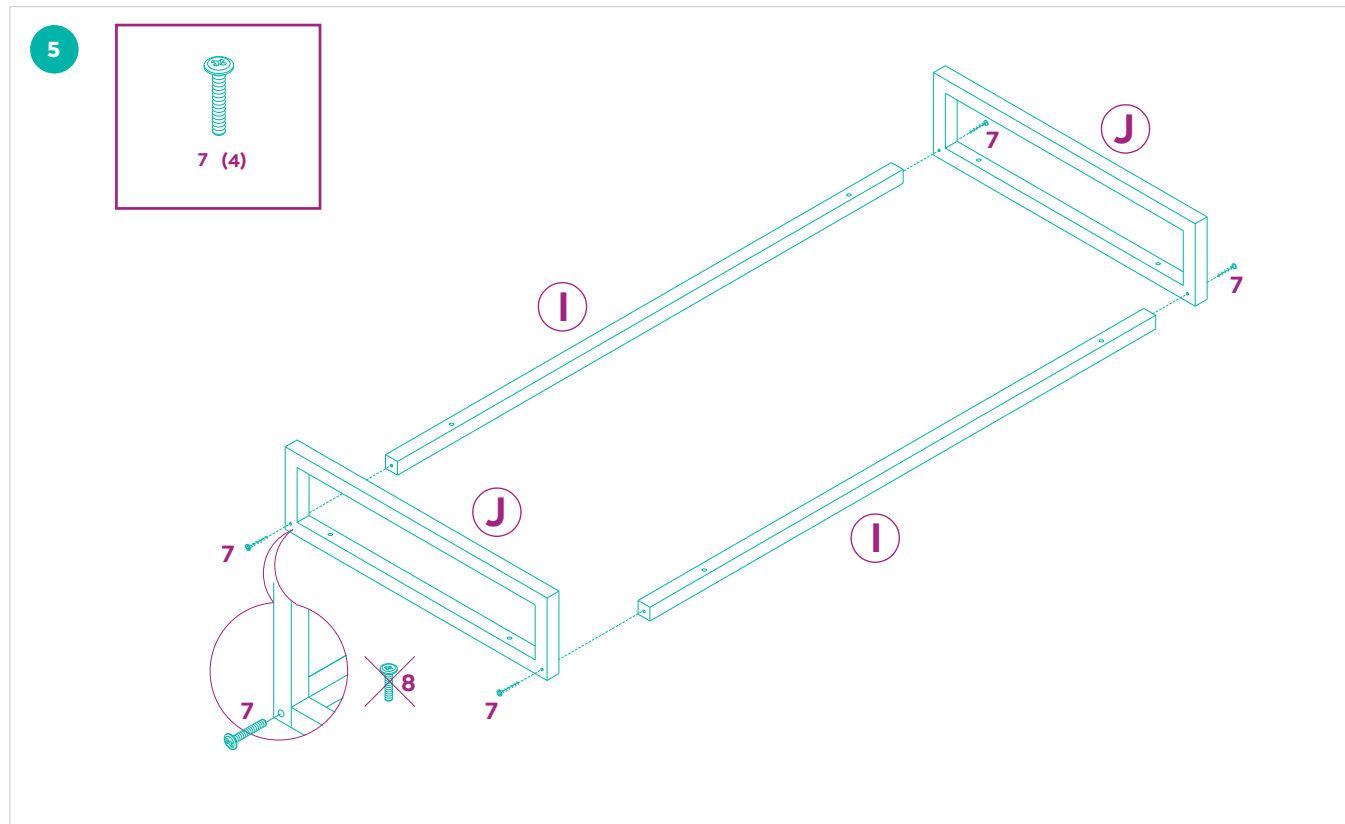
PARTS INCLUDED

Prior to assembly, please be sure to identify and sort all parts shown below.



For questions, please call 1-800-672-4399.





NICE AND TIGHT? ALRIGHT!

After you double-check to make sure ALL cam locks are securely tightened, your stylish litter enclosure can be open for business!

WARNINGS AND CAUTIONS

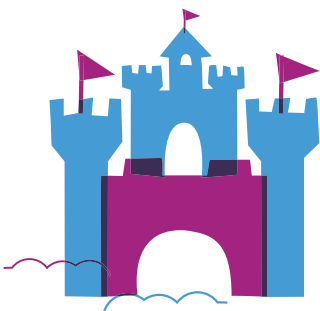
Please read all warnings and instructions thoroughly before assembling.

- Grab a friend—it's recommended that two people assemble this product.
- Assembly should be completed on a clean, level surface.
- Power tools are not recommended for assembly.
- Please handle all panels and hardware with care to avoid any damage.
- This litter box cover is intended for pet use only.
- Do not sit or stand on the assembled product.

CLEANING INSTRUCTIONS

Spot clean with a damp cloth as needed.

Tip: To protect against messes, we recommend placing a potty pad under the litter box.



QUESTIONS?

CALL OUR FRIENDLY CUSTOMER SERVICE TEAM ANYTIME.
WE'RE HERE 24/7! 1-800-67-CHEWY (672-4399)