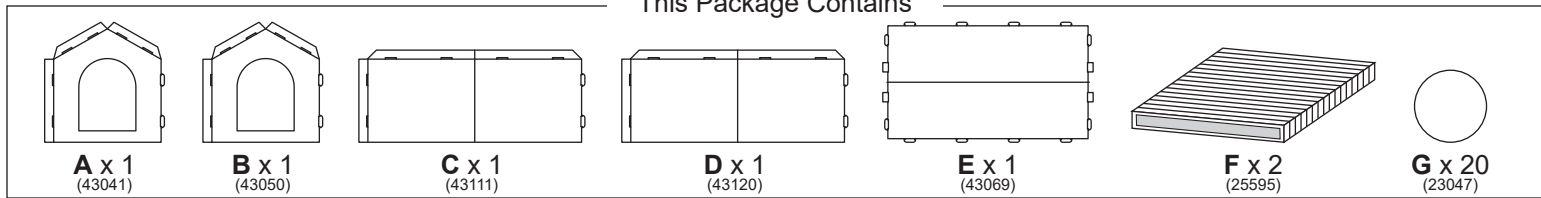


# A-Paw-Theary Scratch House

This Package Contains

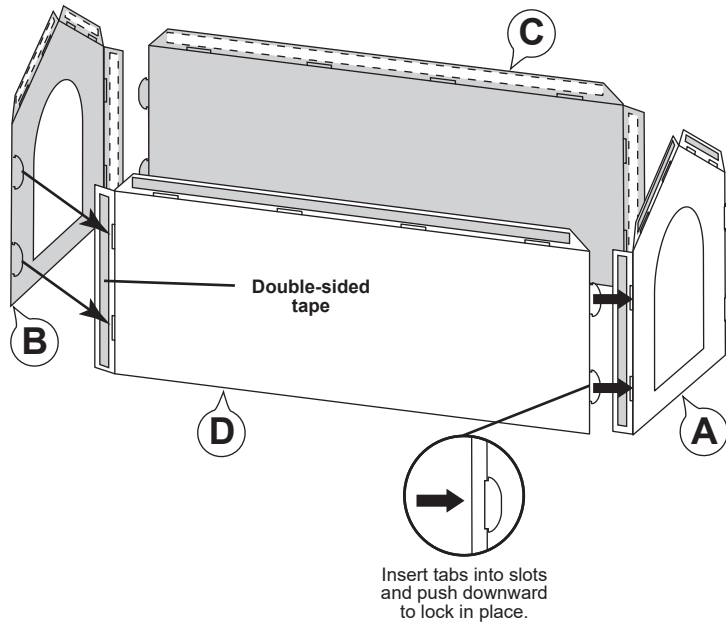
CW-10360

1/21/22 V1



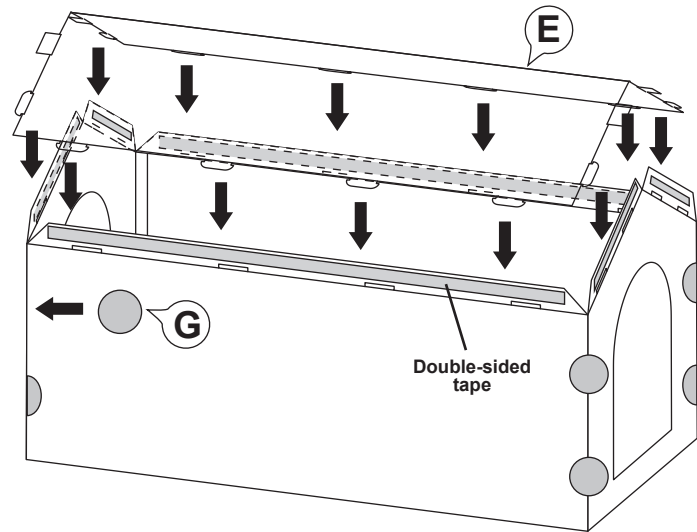
## Step 1

Remove protective film from double-sided tape on the left side of **Front Panel (A)**, **Back Panel (B)**, and **Side Panels (C&D)**. Connect **Panels** together by inserting tabs into slots as shown.



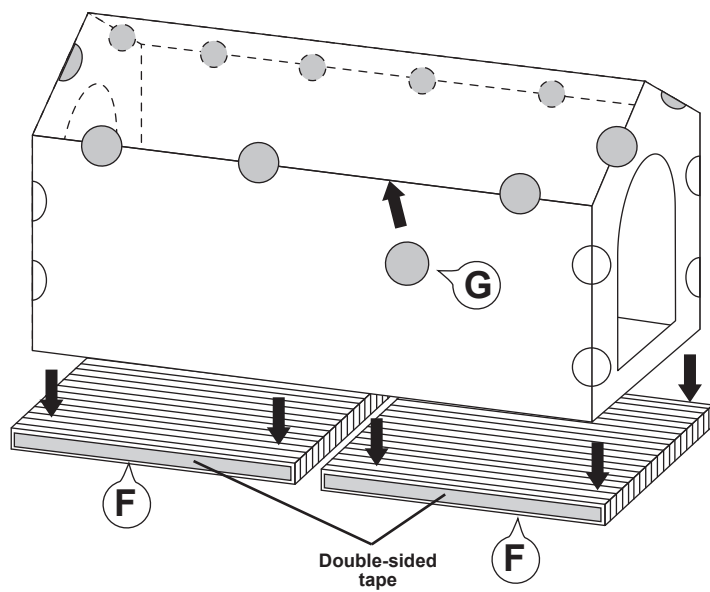
## Step 2

Reinforce connections by placing **Clear Stickers (G)** over the tabs and slots on all four corners as shown. Remove remaining protective film from the top of the **Side Panels**. Attach **Roof (E)** by folding sides and inserting tabs into slots.

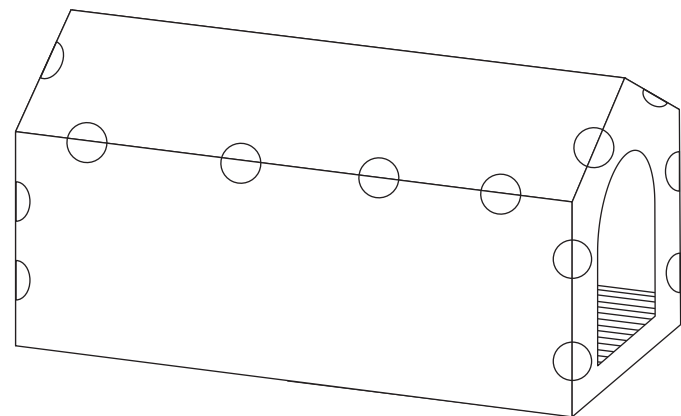


## Last Step

Reinforce connections by placing **Clear Stickers (G)** over the tabs and slots as shown. Remove protective film from double-sided tape of **Corrugate Boards (F)**. Slide **Completed Panels** over the sides as shown. Press to attach the board to the front and back panels.



## Completed Item



Because every cat is different, it is important to monitor your cat's behavior with this product. If at any time your cat damages this item, or any portion of this item becomes damaged, remove the damaged portion or discontinue use of the product.

## QUESTIONS?

CALL OUR FRIENDLY CUSTOMER SERVICE TEAM ANYTIME. WE'RE HERE 24/7! 1-800-67-CHEWY (672-4399)