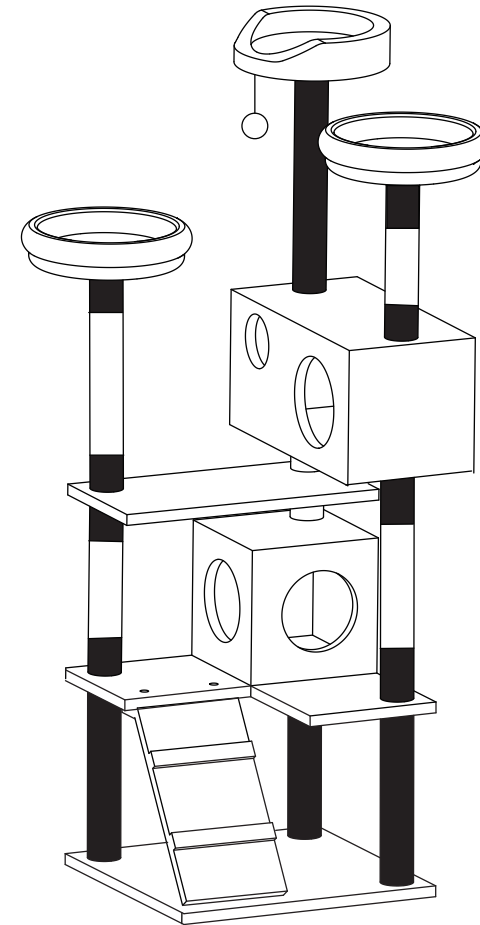


User Manual



Model Number : CWP0029

Dear Customer,

Thank you for your purchase.

COZIOW is committed to providing affordable high-quality pet products worldwide.

We take your pet's needs and well-being as the greatest mission.

We are proud to make a difference in thousands of pets' life.

When you receive the product, please make sure that all the parts are intact.

Then please browse the entire installation manual before assembly.

If problems occur unsatisfactorily as follows:

a. The outer box is damaged.

b. The product is damaged / bent / cracked while you open the box.

c. The parts / accessories / assembly tools are missing.

d. The product is hard to assemble.

e. The instructions are not clear and can not be referred to.

f. The product has functional problems.

g. Other aspects that you are not satisfied with.

Please do not hesitate to contact us for help (Be sure to mark the **SKU NUMBER**, e.g., CW12S0462, and the **TRACKING NUMBER**).

Our COZIOW team with factory direct after-sales service will reply within 24 hours and will do our best to resolve the problem for you. Our services are available at any time.

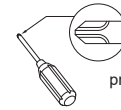
For more information, please browse <https://www.coziwow.com>

Sincerely,
COZIOW Team

**COZIOW,
for Pets and Fun!**

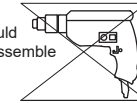
You need

① Tools required

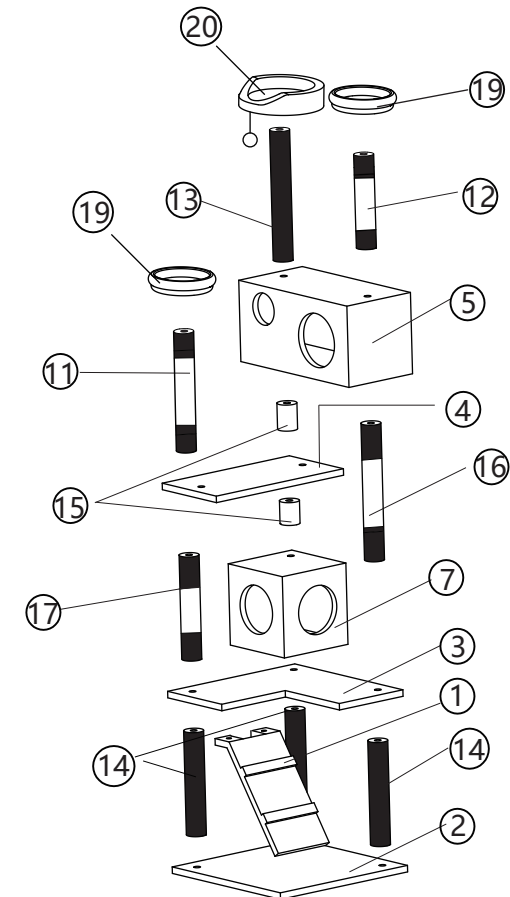


A Phillips head screwdriver is required for the assembly of this product. (not included)

Power tools should not be used to assemble this product.



② 1 person is needed



Hardware List

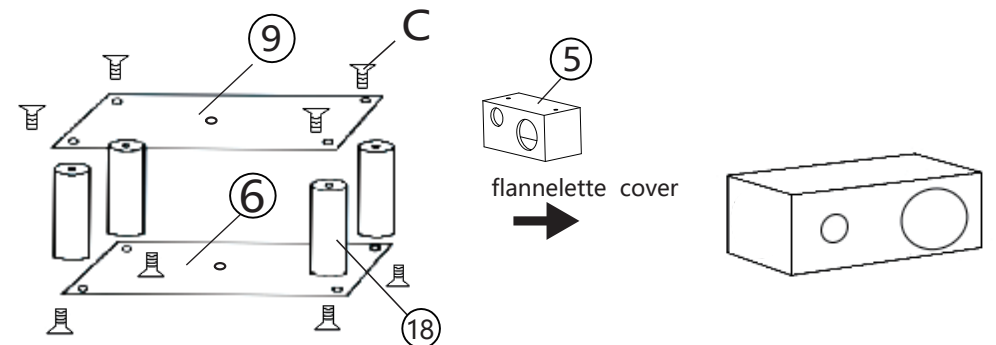
 400 x 200mm ① 1PC	 500 x 500mm ② 1PC	 500 x 500mm ③ 1PC	 495 x 200mm ④ 1PC
 495 x 250 x 250mm ⑤ 1PC	 495 x 250mm ⑥ 1PC	 250 x 250 x 250mm ⑦ 1PC	 250 x 250mm ⑧ 1PC
 495 x 250mm ⑨ 1PC	 250 x 250mm ⑩ 1PC	 400 x Φ65mm ⑪ 1PC	 300 x Φ65mm ⑫ 1PC
 400 x Φ65mm ⑬ 1PC	 350 x Φ65mm ⑭ 3PCS	 80 x Φ65mm ⑮ 2PCS	 420 x Φ65mm ⑯ 1PC
 330 x Φ65mm ⑰ 1PC	 220 x Φ35mm ⑱ 8PCS	 Φ280mm ⑲ 2PCS	 Φ320mm ⑳ 1PC
 M8 A 1PC	 M8 x 60mm B 1PC	 M8 x 40mm C 27PCS	 M8 x 20mm D 2PCS
 80mm E 4PCS			

PRODUCT ASSEMBLY

⚠ Check the package contents before getting started !

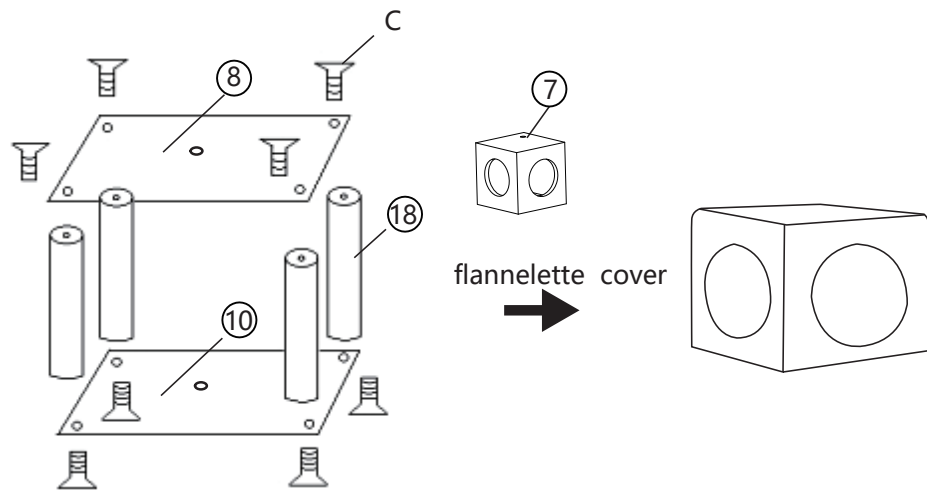
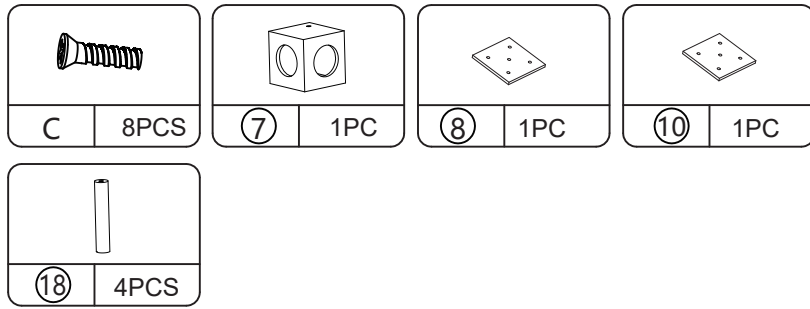
STEP 1

 A 1PC	 C 8PCS	 ⑤ 1PC	 ⑥ 1PC
 ⑨ 1PC	 ⑱ 4PCS		



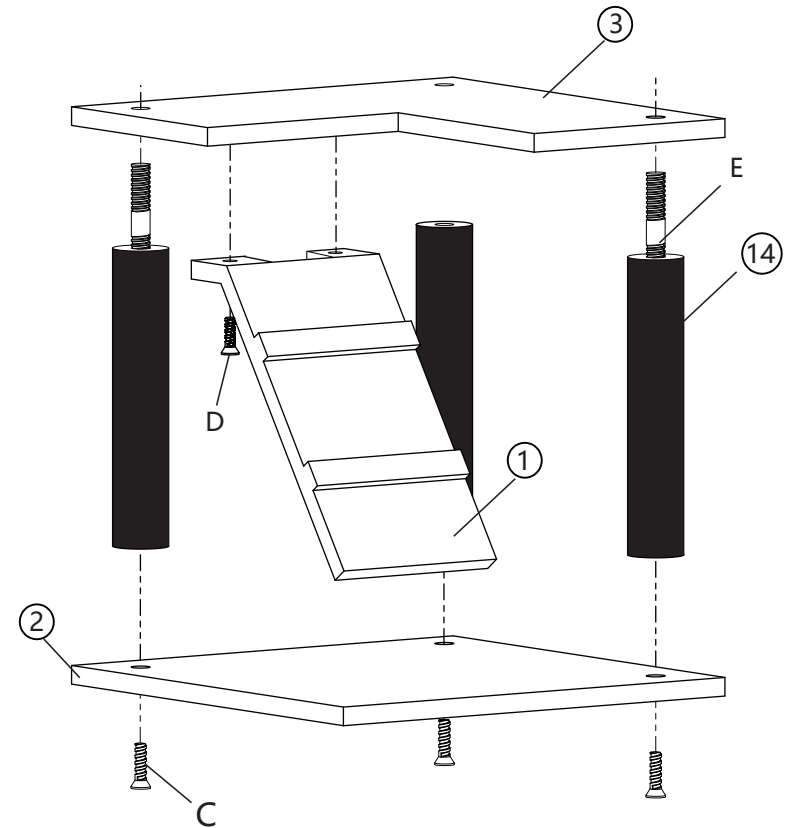
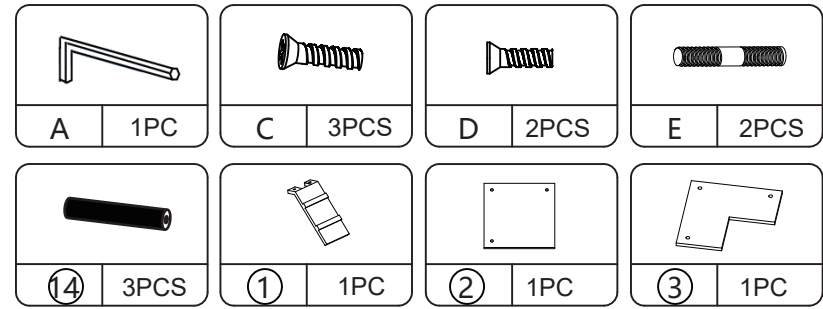
PRODUCT ASSEMBLY

STEP 2



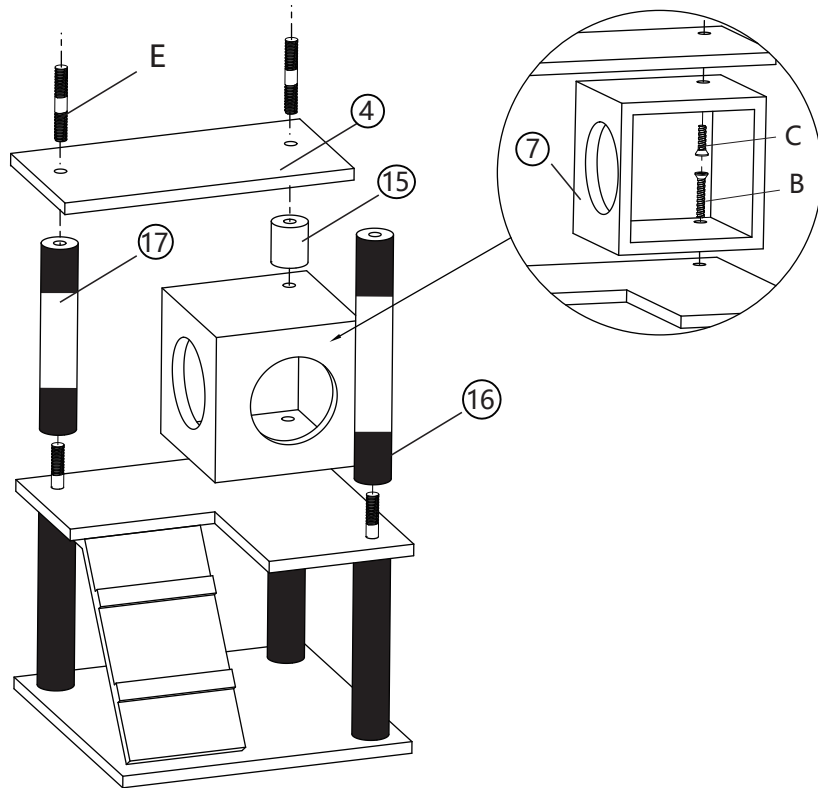
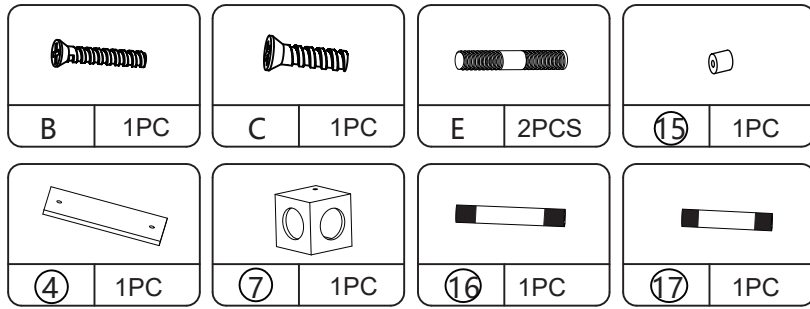
PRODUCT ASSEMBLY

STEP 3



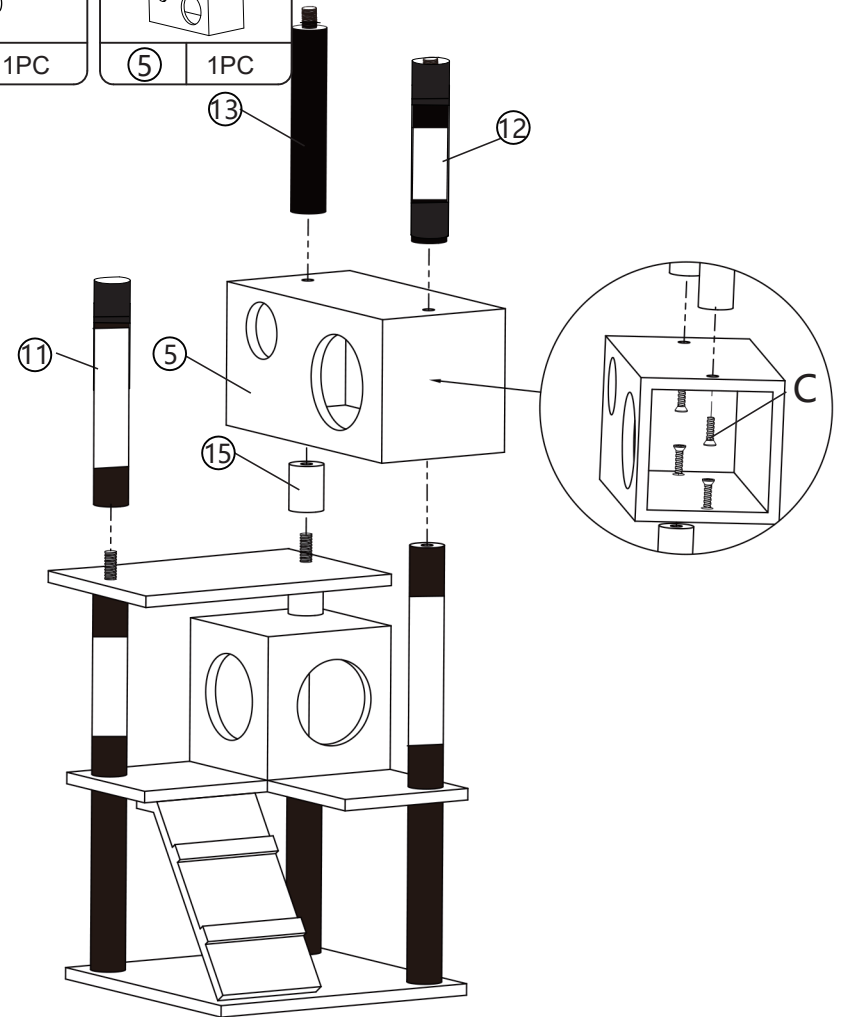
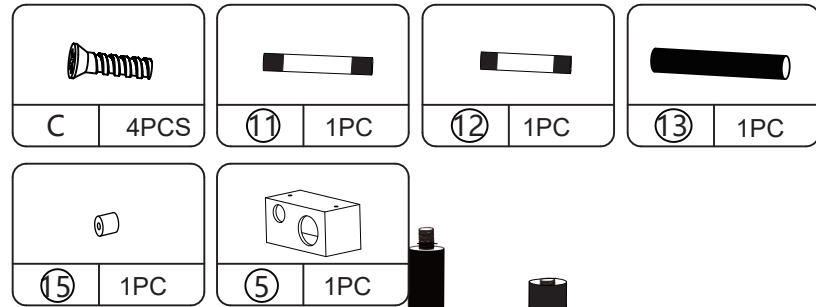
PRODUCT ASSEMBLY

STEP 4



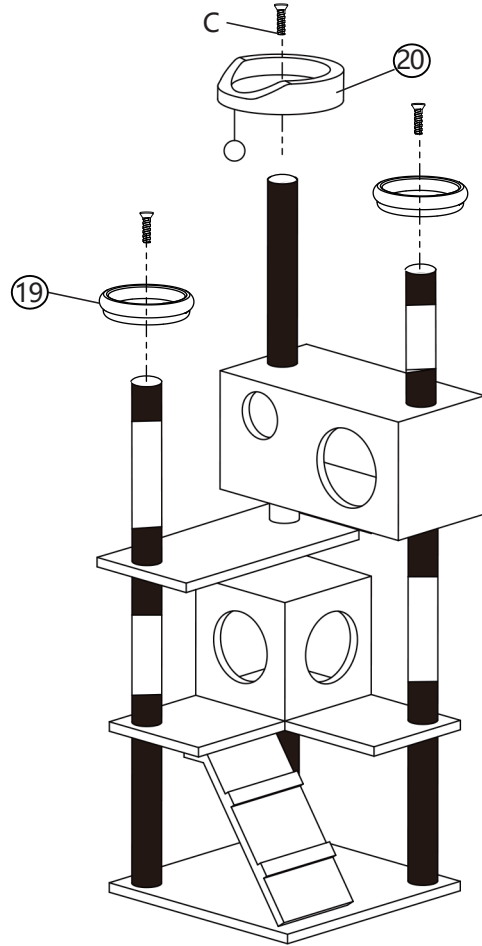
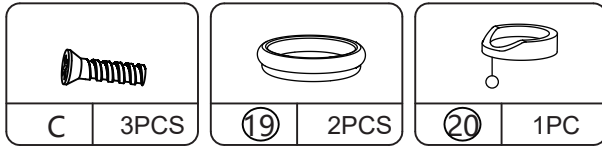
PRODUCT ASSEMBLY

STEP 5



PRODUCT ASSEMBLY

STEP 6



PRODUCT ASSEMBLY

STEP 7

