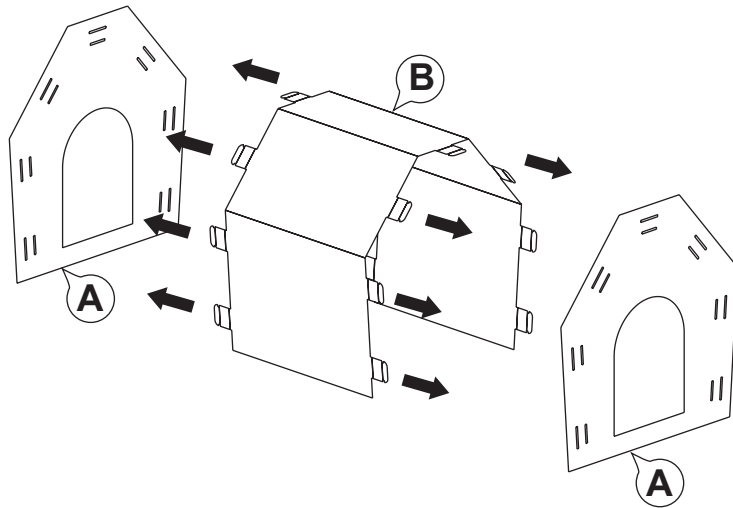


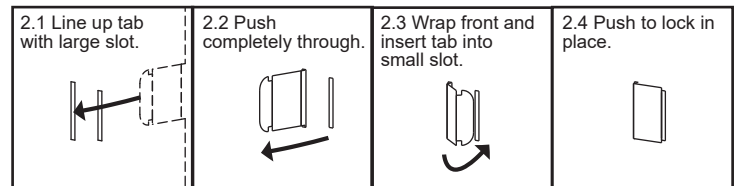
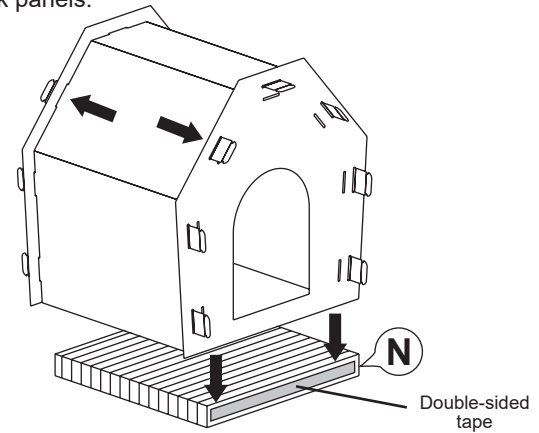
Step 1

Line up **Front and Back Panels (A)** and **Side Wrap (B)** fold tabs and insert into larger slots.



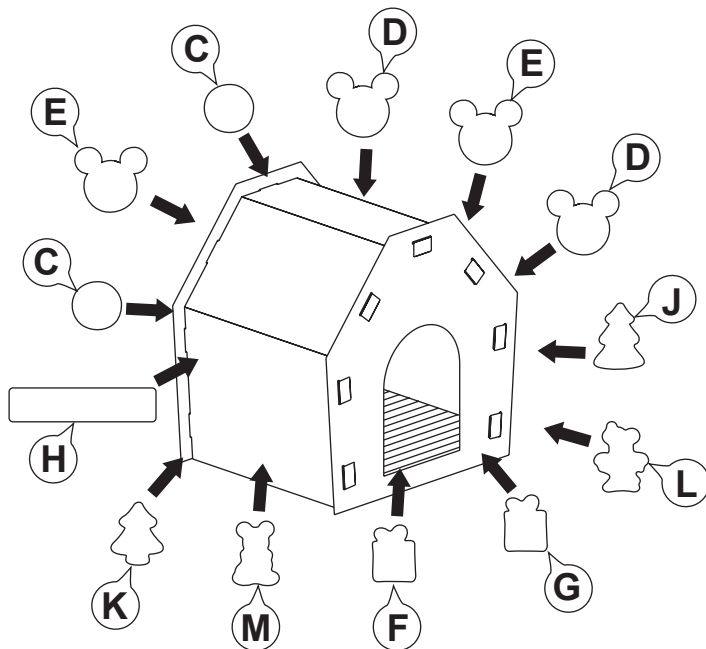
Step 2

Connect **Completed Panels** by folding in sides and inserting tabs into slots as shown. Remove protective film from double-sided tape of **Corrugate Board (N)**. Slide **Completed Panels** down over the sides until it rests over **(N)** as shown. Press to attach the board to the front and back panels.



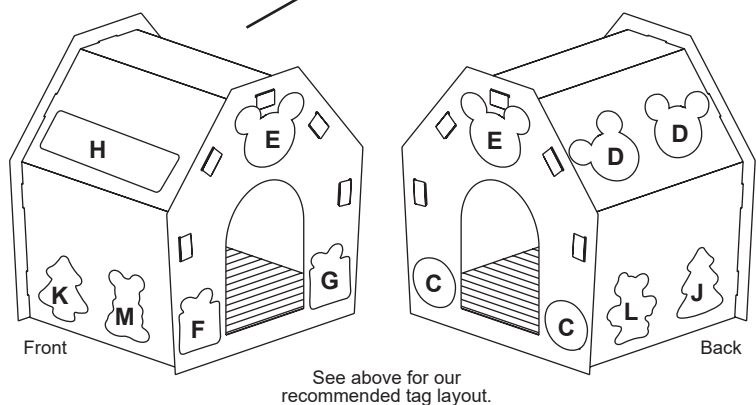
Last Step

Remove protective film from double-sided tape of **Small Characters (C, D, E, F, G, H, J, K, L & M)** attach stickers anywhere on the house. See to the right for the recommended tag layout.



Completed Item

NOTICE: THIS IS NOT A STEP. DO NOT ALLOW YOUR CAT TO CLIMB ON TOP OF THE ROOF. IT IS NOT INTENDED TO HOLD THE WEIGHT OF A CAT.



Because every cat is different, it is important to monitor your cat's behavior with this product. If at any time your cat damages this item, or any portion of this item becomes damaged, remove the damaged portion or discontinue use of the product.

QUESTIONS?

CALL OUR FRIENDLY CUSTOMER SERVICE TEAM ANYTIME. WE'RE HERE 24/7! 1-800-67-CHEWY (672-4399)