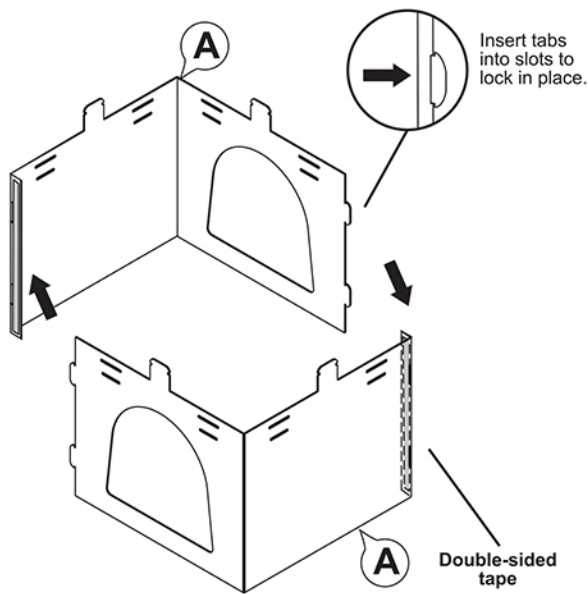
 Because every cat is different, it is important to monitor your cat's behavior with this product. If at any time your cat damages this item, or any portion of this item becomes damaged, remove the damaged portion or discontinue use of the product.

QUESTIONS?
 CALL OUR FRIENDLY CUSTOMER SERVICE TEAM ANYTIME.
 WE'RE HERE 24/7! 1-800-67-CHEWY (672-4399)

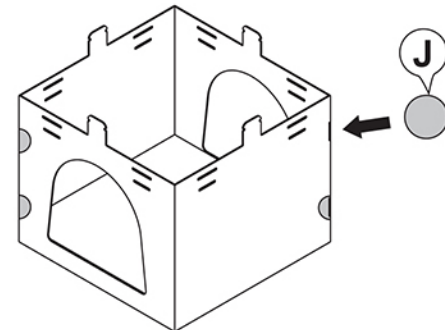
Step 1

Remove protective film from double-sided tape of **Base Panels (A)**. Connect **(A)** by folding in sides and inserting tabs into slots as shown.



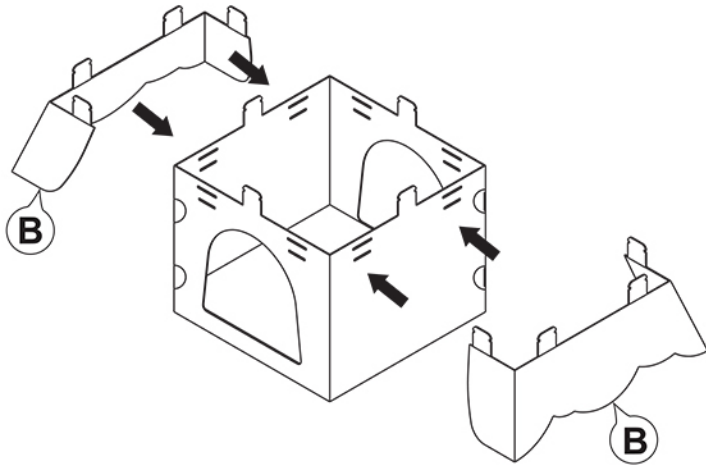
Step 2

Reinforce connections by placing **Clear Stickers (J)** over the tabs and slots.



Step 3

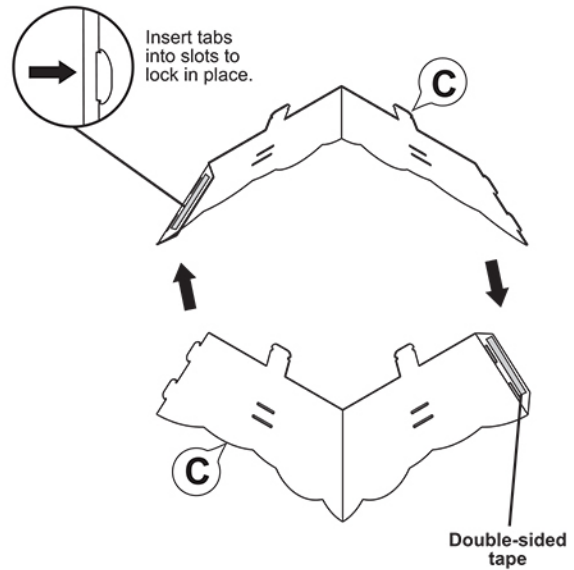
Pre-fold **Lower Branches (B)**. Connect to **Completed Panels** by folding in sides and inserting tabs into slots as shown.



<p>2.1 Line up tab with lower large slot.</p>	<p>2.2 Push tab completely through.</p>	<p>2.3 Wrap inside and insert tab into small slot.</p>	<p>2.4 Push to lock in place.</p>
---	---	--	-----------------------------------

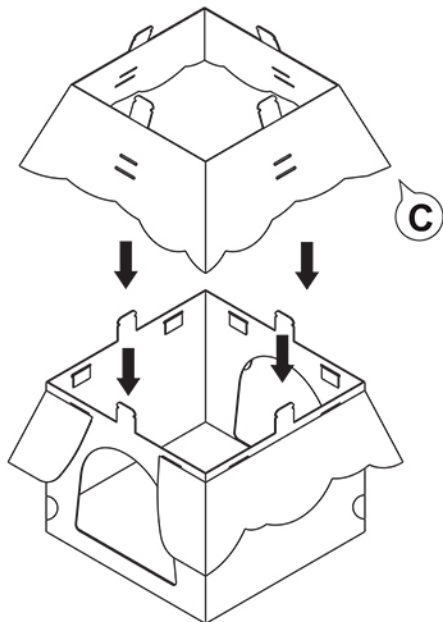
Step 4

Remove protective film from double-sided tape of **Middle Branches (C)**. Connect to **Completed Panels** by folding in sides and inserting tabs into slots as shown.



Step 5

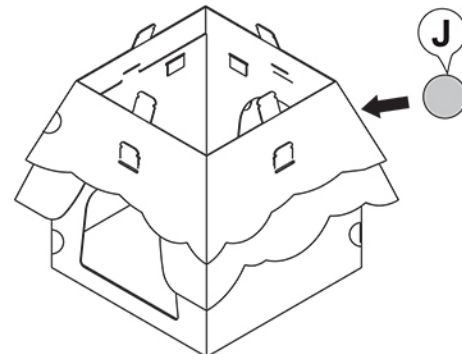
Connect **Middle Branches** to **Completed Panels** by folding in sides and inserting tabs into slots as shown.



<p>5.1 Line up tab with large slot.</p>	<p>5.2 Push completely through.</p>	<p>5.3 Wrap front and insert tab into small slot.</p>	<p>5.4 Push to lock in place.</p>
---	-------------------------------------	---	-----------------------------------

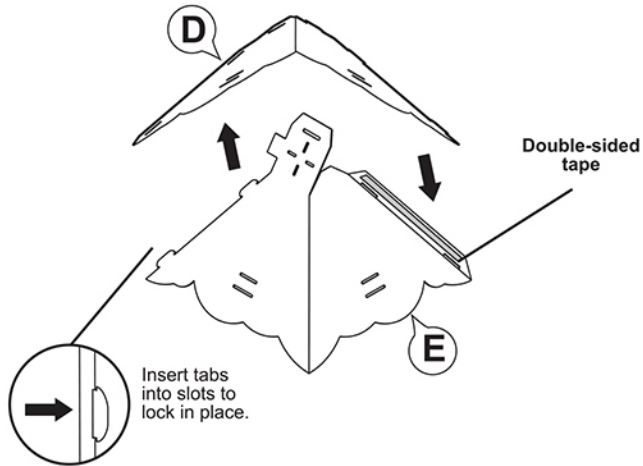
Step 6

Reinforce connections by placing **Clear Stickers (J)** over the tabs and slots.



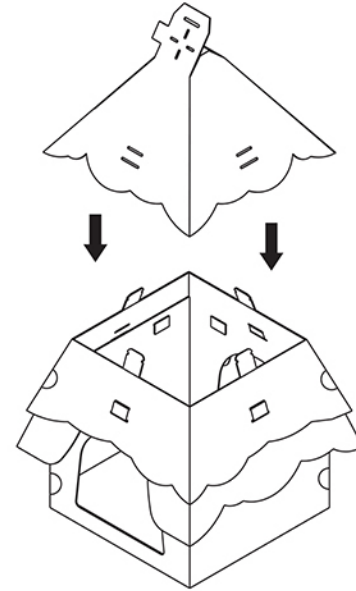
Step 7

Remove protective film from double-sided tape of **Upper Branches (D & E)**. Connect to **Completed Panels** by folding in sides and inserting tabs into slots as shown.



Step 8

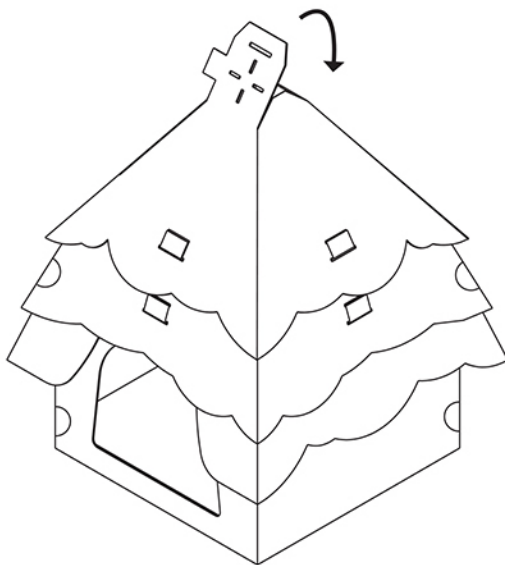
Connect **Upper Branches** to **Completed Panels** by folding in sides and inserting tabs into slots as shown.



<p>8.1 Line up tab with large slot.</p>	<p>8.2 Push completely through.</p>	<p>8.3 Wrap front and insert tab into small slot.</p>	<p>8.4 Push to lock in place.</p>
---	-------------------------------------	---	-----------------------------------

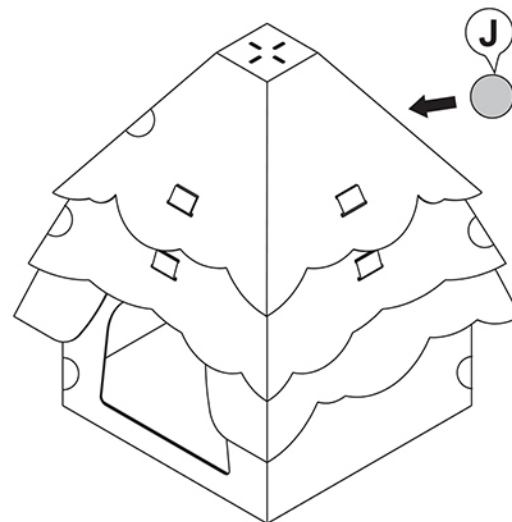
Step 9

Fold down **Top Panel** by inserting tabs into slots as shown.



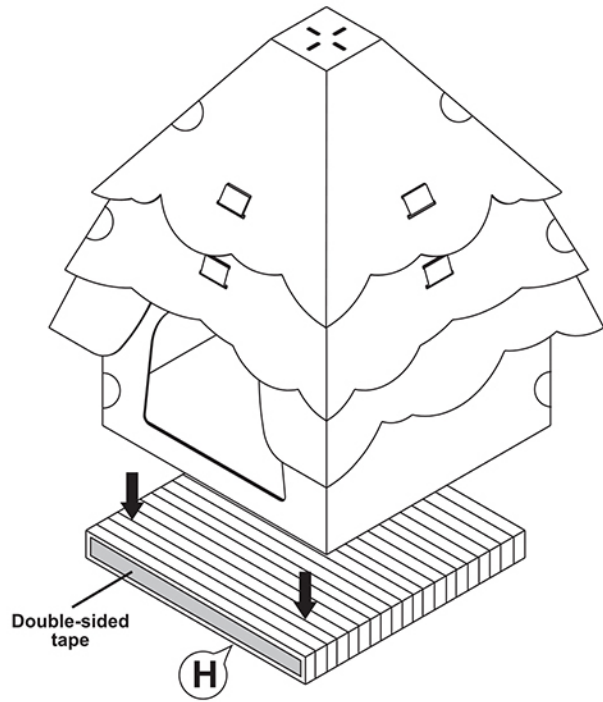
Step 10

Reinforce connections by placing **Clear Stickers (J)** over the tabs and slots.



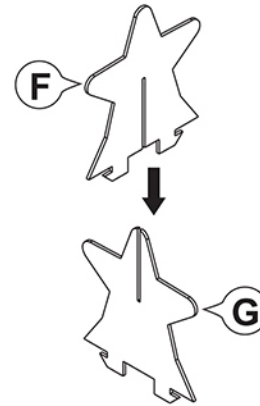
Step 11

Remove protective film from double-sided tape of **Corrugate Board (H)**. Slide **Completed Panels** down over the sides until it rests over **(H)** as shown. Press to attach the board to the front and back panels.



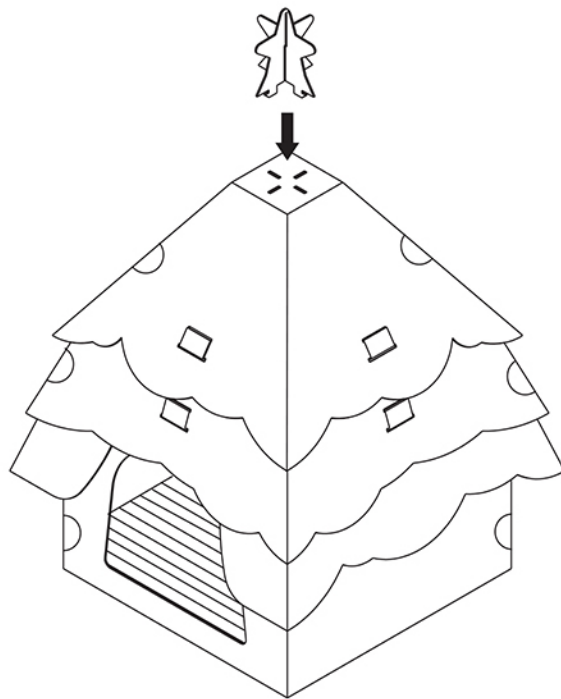
Step 12

Insert **Star (F)** into **Star (G)** and push downward to lock in place.



Last Step

Attach completed **Star** to top of **Completed Panels** as shown.



Completed Item

