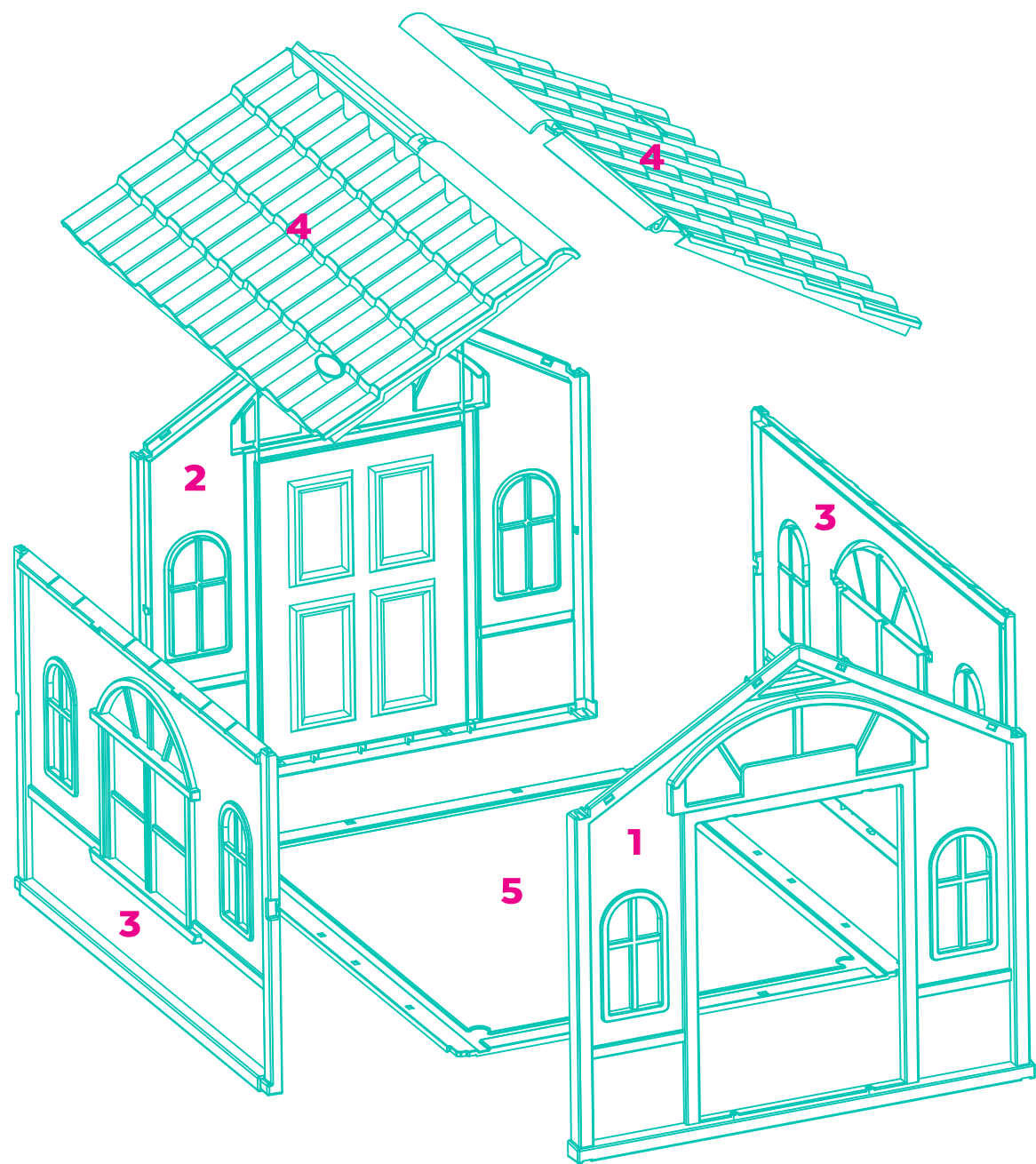


OVERVIEW



Questions? Call our customer service 1-800-672-4399



SKU# 370358
OVERALL DIMENSIONS
S: 29.8 in L x 25.59 in W x 24.8 in H
75.7 cm L x 65 cm W x 63 cm H

DELUXE PLASTIC OUTDOOR DOG HOUSE

INSTRUCTION MANUAL

WARNINGS & CAUTIONS

PLEASE READ AND FOLLOW ALL WARNINGS AND INSTRUCTIONS TO AVOID PET INJURY OR PROPERTY DAMAGES.

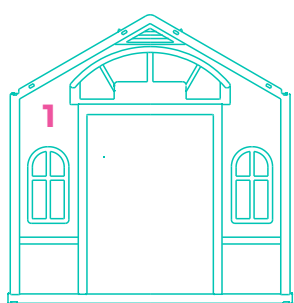
- Follow the instructions carefully and make sure you've completed each step.
- Keep away from heat sources and open flames.
- Do not sit on, climb on or shake the product!
- This plastic product is suitable for providing temporary shelter for your pets in an outdoor environment.
- Choose a location that is leveled and dry, as well as being as sheltered from the weather as possible.
- This product is not for human use. Please, never allow children to play in or on the house. For dog use only.
- Check your dog house often for loose screws or parts that might need re-tightening.
- If your dog house gets torn or damaged, please discard it.
- The product photo may vary slightly from your fully assembled pet bed as this product is continually being enhanced.

GEAR UP

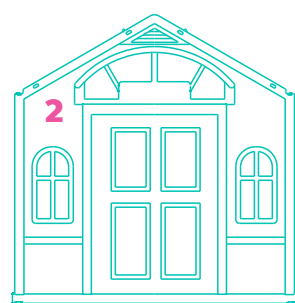
You'll need a Phillips head screwdriver (not included) to complete the assembly.

COMPONENTS

Prior to assembly, be sure to identify and sort all components shown below.



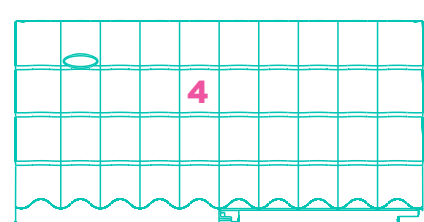
1PC
Front Panel



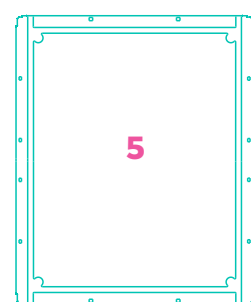
1PC
Back Panel



2PCS
Side Panel



2PCS
Roof Panel

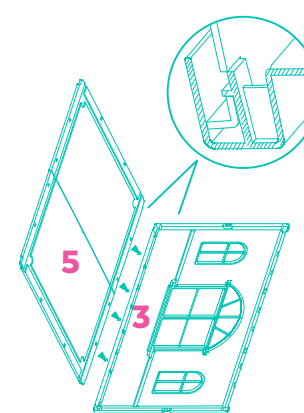


1PC
Bottom Panel

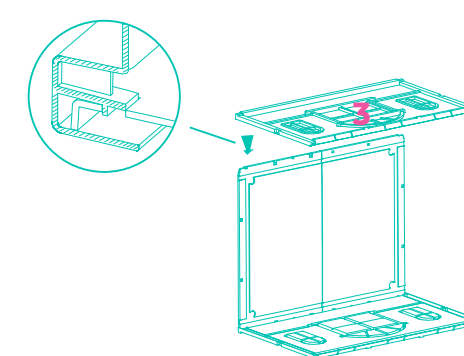
ASSEMBLY INSTRUCTIONS

Tip: This item has predrilled holes to make set up easier for your dog's home.

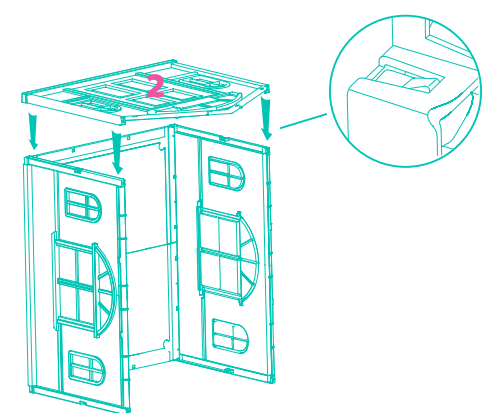
STEP 1
Insert side panel (3) into bottom panel (5).



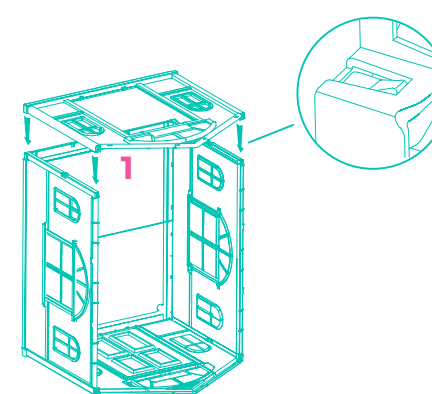
STEP 2
To turn the house on its side and insert side panel (3) into notches.



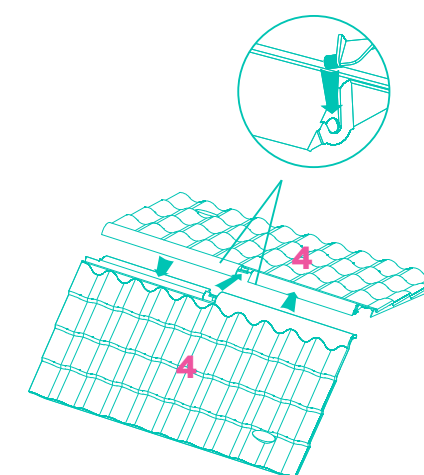
STEP 3
Turn the house vertically to attach the back panel (2) by placing it into the notches on panel(3).



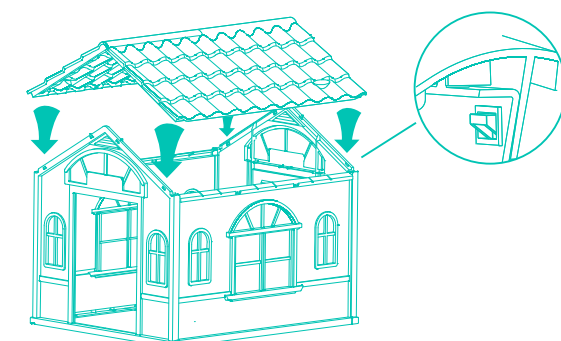
STEP 4
Flip the house to rest the back panel (2) on the floor and insert the front panel (1) into the notches.



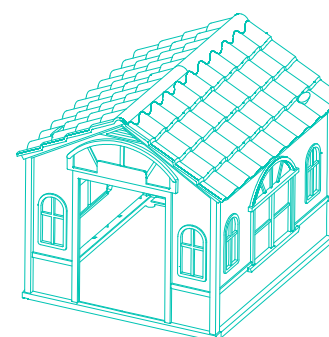
STEP 5
Connect roof panel (4).



STEP 6
Place the connected roof panels onto the house starting with the notches closer to the center of the roof and attach the corners once the middle is fully secured.



FINISHED ASSEMBLY



Questions? Call our customer service 1-800-672-4399

Questions? Call our customer service 1-800-672-4399