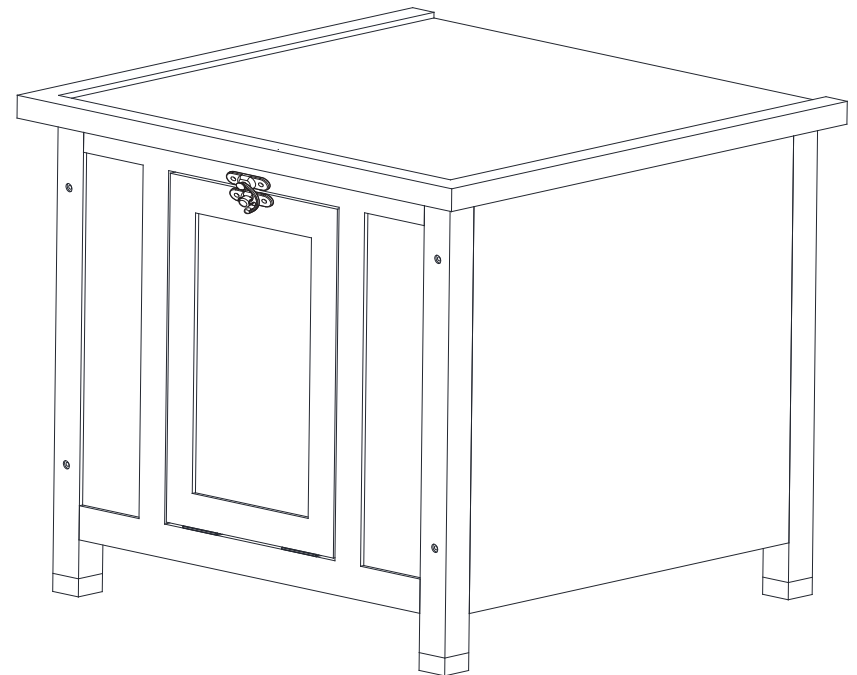

User Manual



Model Number : CW12T0337
CW12U0338

Dear Customer,

Thank you for your purchase.

COZIWOW is committed to providing affordable high-quality pet products worldwide.

We take your pet's needs and well-being as the greatest mission.

We are proud to make a difference in thousands of pets' life.

When you receive the product, please make sure that all the parts are intact.

Then please browse the entire installation manual before assembly.

If problems occur unsatisfactorily as follows:

a. The outer box is damaged.

b. The product is damaged / bent / cracked while you open the box.

c. The parts / accessories / assembly tools are missing.

d. The product is hard to assemble.

e. The instructions are not clear and can not be referred to.

f. The product has functional problems.

g. Other aspects that you are not satisfied with.

Please do not hesitate to contact us for help (Be sure to mark the **SKU NUMBER**, e.g., CW12S0462, and the **TRACKING NUMBER**).

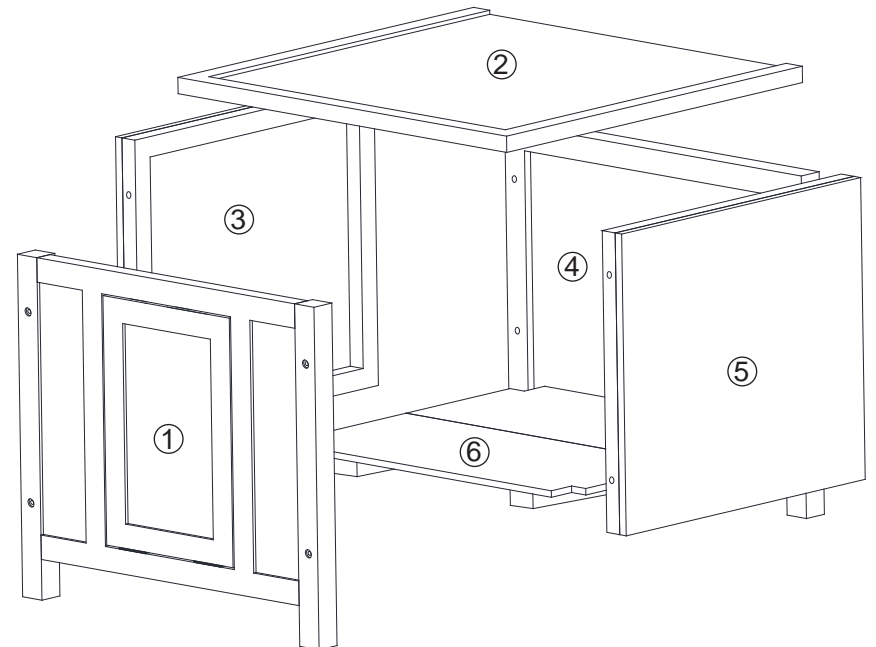
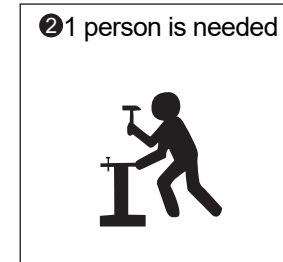
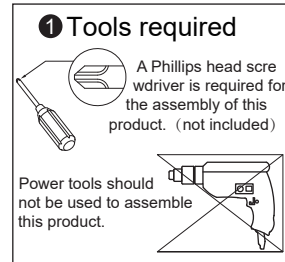
Our COZIWOW team with factory direct after-sales service will reply within 24 hours and will do our best to resolve the problem for you. Our services are available at any time.

For more information, please browse <https://www.coziwow.com>

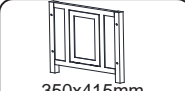
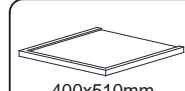


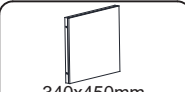








Sincerely,
COZIWOW Team

**COZIWOW,
for Pets and Fun!**

You need



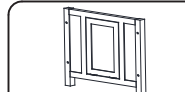
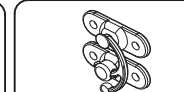
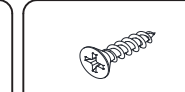
Hardware List

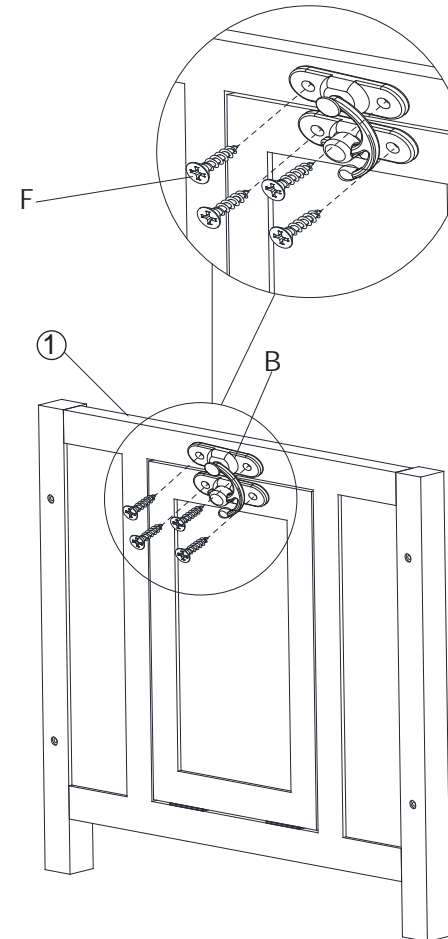
 350x415mm ① 1PC	 400x510mm ② 1PC	 340x450mm ③ 1PC	 350x380mm ④ 1PC
 340x450mm ⑤ 1PC	 400x325mm ⑥ 1PC	 A 1PC	 B 1PC
 M4x12mm C 6PCS	 M3.5x35mm D 8PCS	 M4x8mm E 4PCS	 M2x6mm F 4PCS
 G 4PCS			

PRODUCT ASSEMBLY

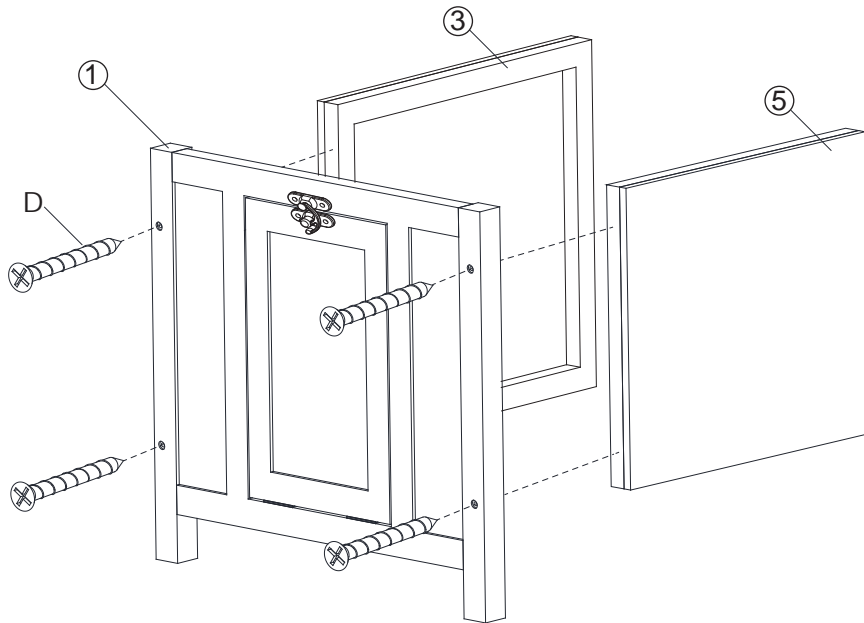
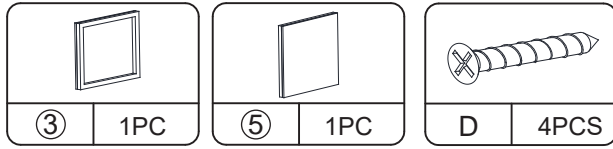
! Check the package contents before getting started!

STEP 1

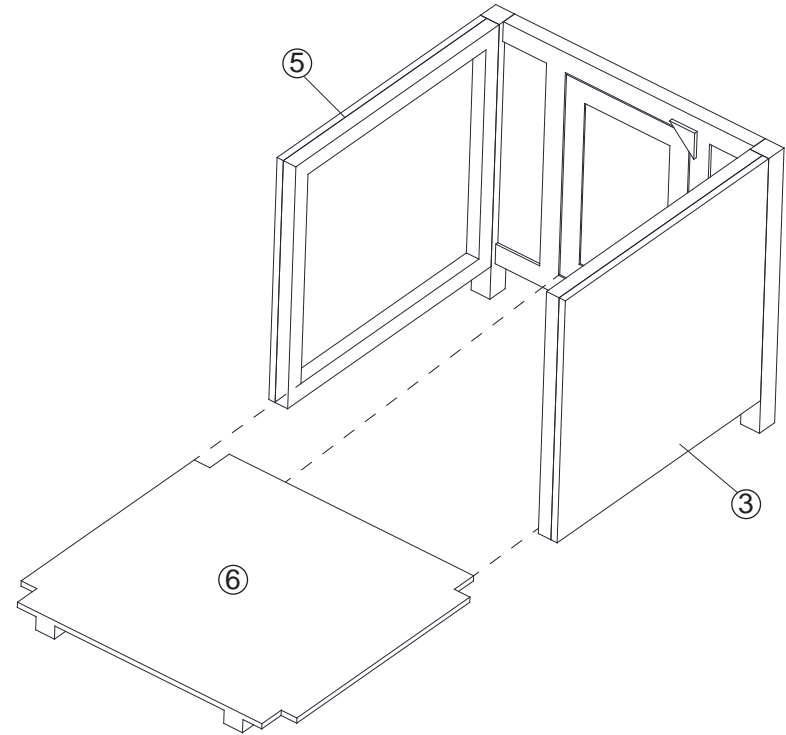
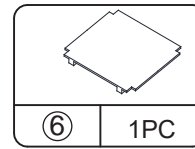
 ① 1PC	 B 1PC	 F 4PCS
--	--	---



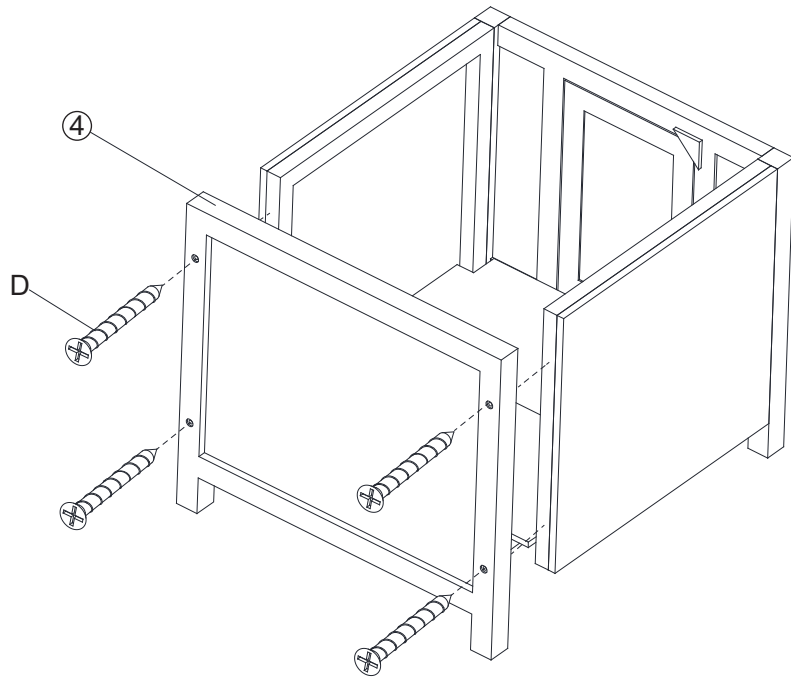
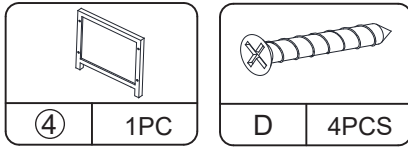
STEP 2



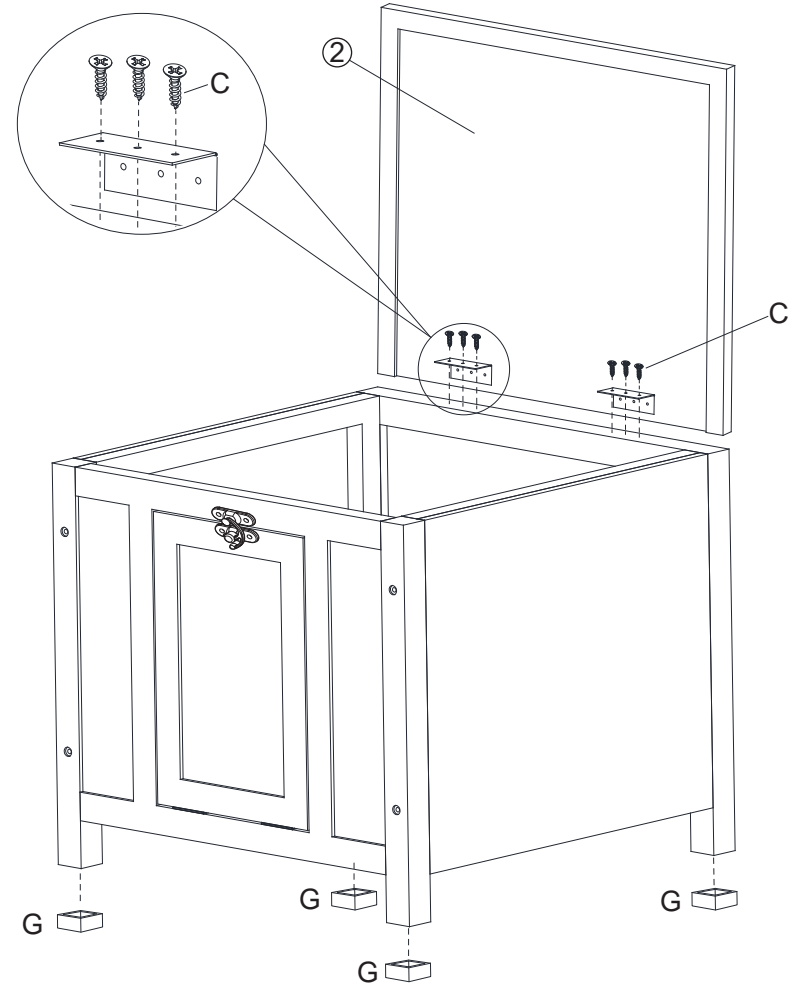
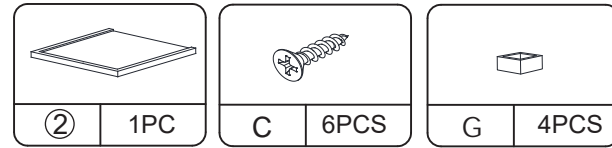
STEP 3



STEP 4



STEP 5



PRODUCT ASSEMBLY

STEP 6

