

Legend

- (A) Inner D-ring
- (B) Outer D-ring
- (C) Under-seat hook
- (D) Top headrest strap
- (E) Top tension buckle
- (F) Under-seat strap
- (G) Support velcro closure
- (H) Horizontal steel support rod
- (I) Vertical steel support rod
- (J) Horizontal rod pocket
- (K) Vertical rod pocket

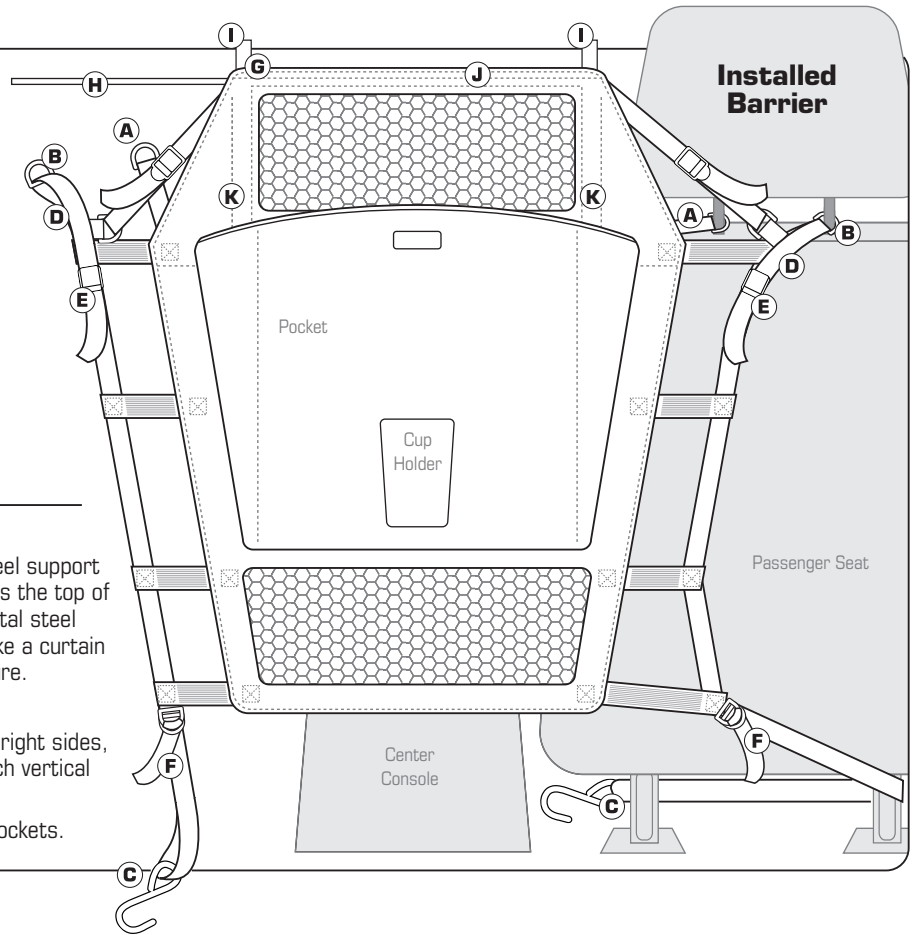
NOTE: The horizontal steel support rod (H) is stored in the vertical support rod pocket (J) for packaging. Please locate and insert into the horizontal support rod pocket (I)

Optional extra support for barrier extension:

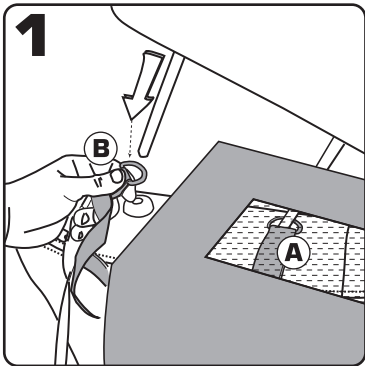
Flip up support velcro closure (G) and slide the horizontal steel support rod (H) through the horizontal rod pocket (J) that runs across the top of the barrier between the vertical rod pockets (K). The horizontal steel support rod (H) goes through the horizontal rod pocket (J) like a curtain rod slides into the top pocket of a curtain. Close velcro closure.

To lower the barrier extension:

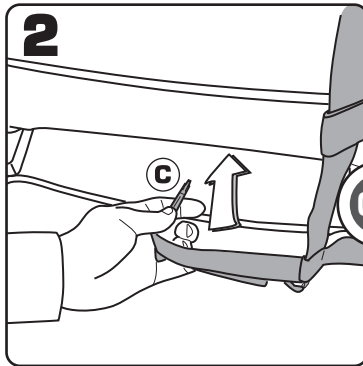
1. Open the support velcro closures (G) on both the left and right sides, and remove the vertical steel support rods (I) found in each vertical rod pocket (K).
2. Roll mesh top down, and tuck excess fabric roll into the pockets.



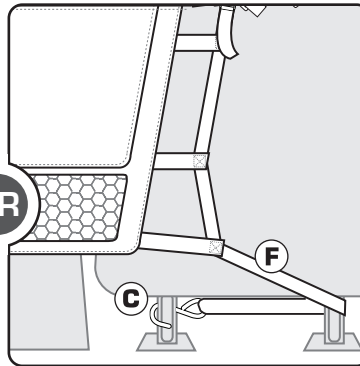
Attaching the barrier to Detachable Headrests



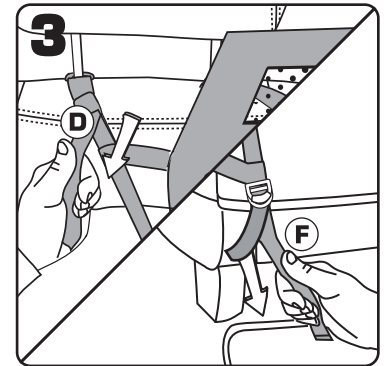
1. Orient the barrier so the Kurgo logo is facing the back of the car. Remove the driver's seat headrest. Slide the inner headrest column through the inner D-ring (A). Slide outer D-ring (B) through the outer vehicle headrest post. Repeat on the passenger side headrests.



Option A: Clip the under-seat hook (C) to the underside of the front seat's base plate or springs.



Option B: Run the under-seat straps (F) around the outside footing of each seat and secure the under-seat hook (C).



3. Pull top headrest straps (D) tight on both sides. Pull both both under-seat straps (F) tight.

NOTICE: Please contact Kurgo directly with any product or warranty inquiries.

Legend

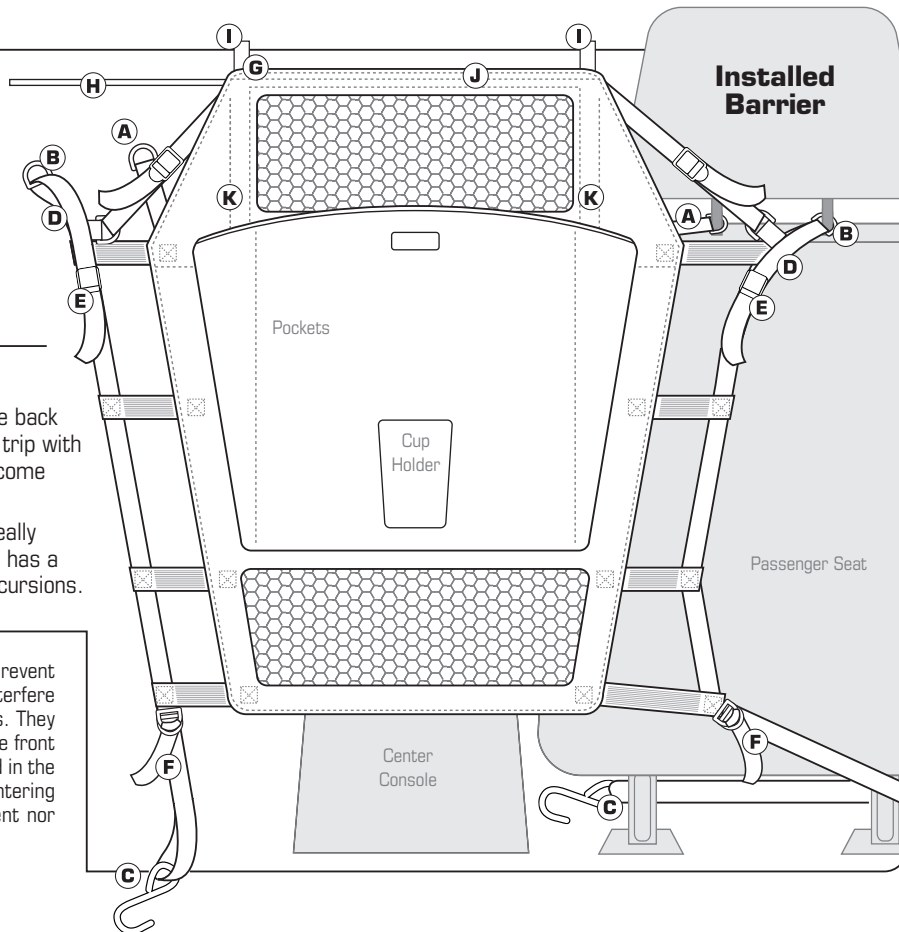
- | | |
|------------------------|----------------------------------|
| (A) Inner D-ring | (G) Support velcro closure |
| (B) Outer D-ring | (H) Horizontal steel support rod |
| (C) Under-seat hook | (I) Vertical steel support rod |
| (D) Top headrest strap | (J) Horizontal rod pocket |
| (E) Top tension buckle | (K) Vertical rod pocket |
| (F) Under-seat strap | |

Training:

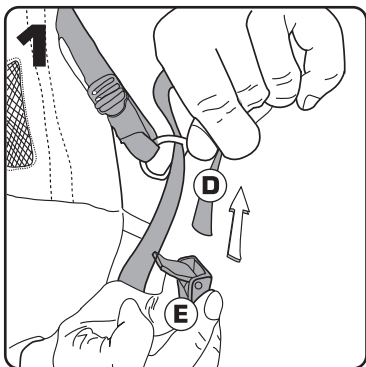
1. Get your dog familiar with riding in the car, focusing on the back seats and not the front. Before setting out on a long road trip with this new product, take some shorter trips to help Fido become adjusted to the Backseat Barrier.
2. Most importantly, the understanding of basic obedience really makes the difference for any car ride. Make sure your pup has a grasp of sit, stay, and come, to help create easy-going excursions.



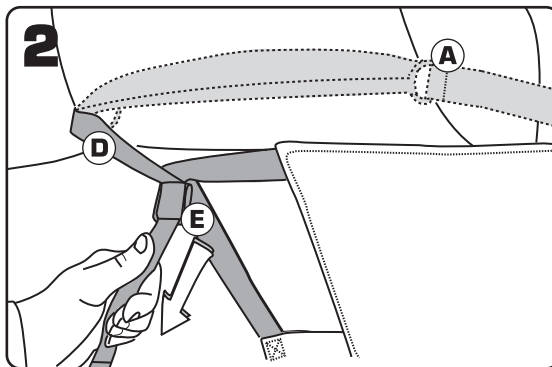
Products displaying this symbol are intended to prevent dogs from entering the front seat where they can interfere with the driver and cause distracted driving accidents. They are intended to serve as either physical barriers to the front seat or restraints that keep pets from roaming around in the car. If used properly, they should keep dogs from entering the front seat, but they cannot guarantee containment nor protect from injury in every situation.



Attaching the barrier to Fixed Headrests



Pull the top headrest strap (D) out of its buckle (E)



Wrap headrest strap (D) around the vehicle headrest. Insert strap back through the inner D-ring (A). Bring the strap back around the vehicle headrest and run through the top tension buckle (E). Repeat on the opposite vehicle headrest.

3

Continue from Step 2 of the *Detachable Headrest Instructions* on reverse side

Cleaning Instructions

Our product cleaning instructions will help ensure that your gear has a long, exciting life. Washing by hand and hang air-drying is the best way to care for your Kurgo products.

Hand Wash Instructions

1. Brush off loose dirt with a dry brush.
2. Spot clean with a damp sponge, cold water, and mild soap. Avoid harsh detergents.
3. If necessary, rinse larger area to eliminate excess soap residue.
4. Hang to air dry (do not machine dry).



NOTICE: Please contact Kurgo directly with any product or warranty inquiries.