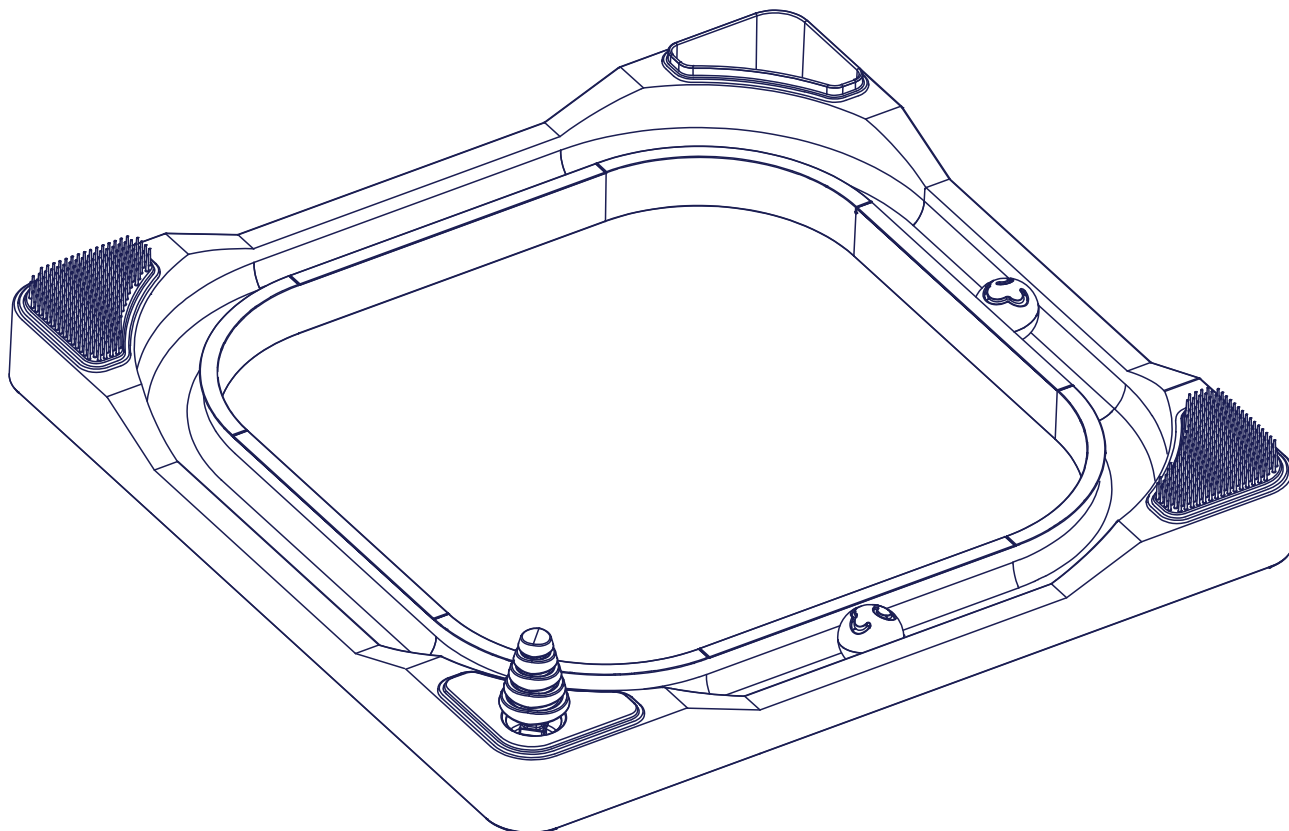


Please Read Through All Instructions Before Starting.  
For Pet Use Only.



**OVERALL DIMENSIONS**  
25.59 in L x 25.59 in W x 5.5 in H  
65 cm L x 65 cm W x 14 cm H

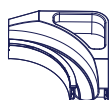
## Parts Included

Prior to assembly, please be sure to identify and sort all parts shown below.

**1**  
Straight Track (4)



**2**  
Corner Track (4)



**3**  
Grooming Pad (2)



**4**  
Corner Box (1)



**5**  
Toy Base (1)



**6**  
Activity Toy (1)



**7**  
Lock Clip (1)



**8**  
"H" Buckle (16+2 spare)



**9**  
Plastic Ball (2)

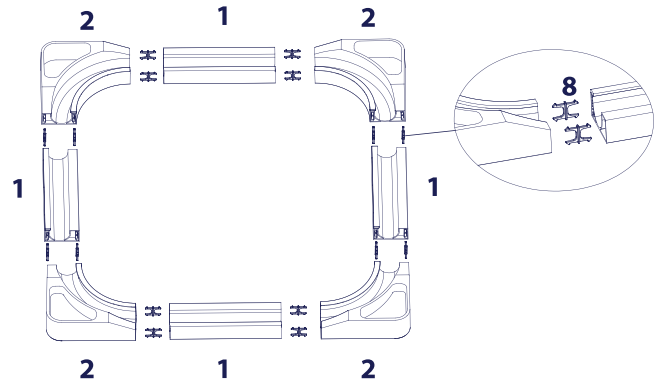


# Assembly Instructions

Please Read Through All Instructions Before Starting

## Step 1

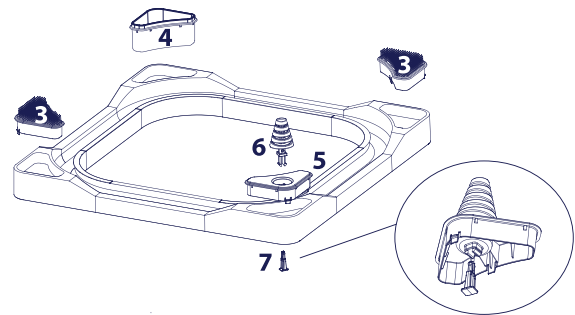
Install the base as pictured.



## Step 2

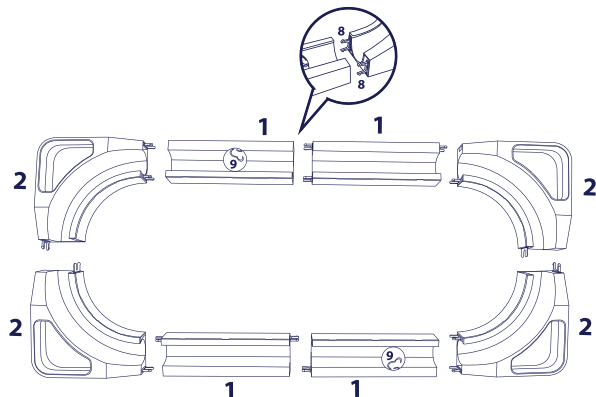
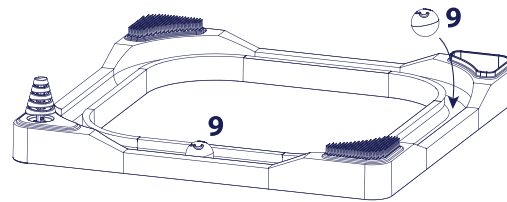
Insert the accessories according to the picture.

- To secure the Activity Toy (6), insert the Lock Clip (7) under the Toy Base



## Step 3

Place the plastic balls into the track.



### Customize it!

Here's an alternative way to set up in a different shape.

### PLEASE READ AND FOLLOW ALL WARNINGS AND INSTRUCTIONS TO AVOID PET INJURY OR PRODUCT DAMAGES.

- Keep all instructions in a safe place for future reference.
- Follow the instructions carefully and make sure you've completed each step.
- This cat activity track is intended for cat use only, please keep children away.
- Keep all small parts away from children/pets to avoid choking hazards.
- For indoor use only, keep away from direct sunlight or damp areas.
- Inspect product regularly and discard toy if damaged or if parts become separated, as injury could result.