

north states™

*Quality Products
for the way you live*

INSTRUCTIONS FOR MODELS 4950/4955/4972



IMPORTANT: PLEASE KEEP FOR FUTURE REFERENCE!

For helpful tips and instructions, please visit our website: www.northstatesind.com or

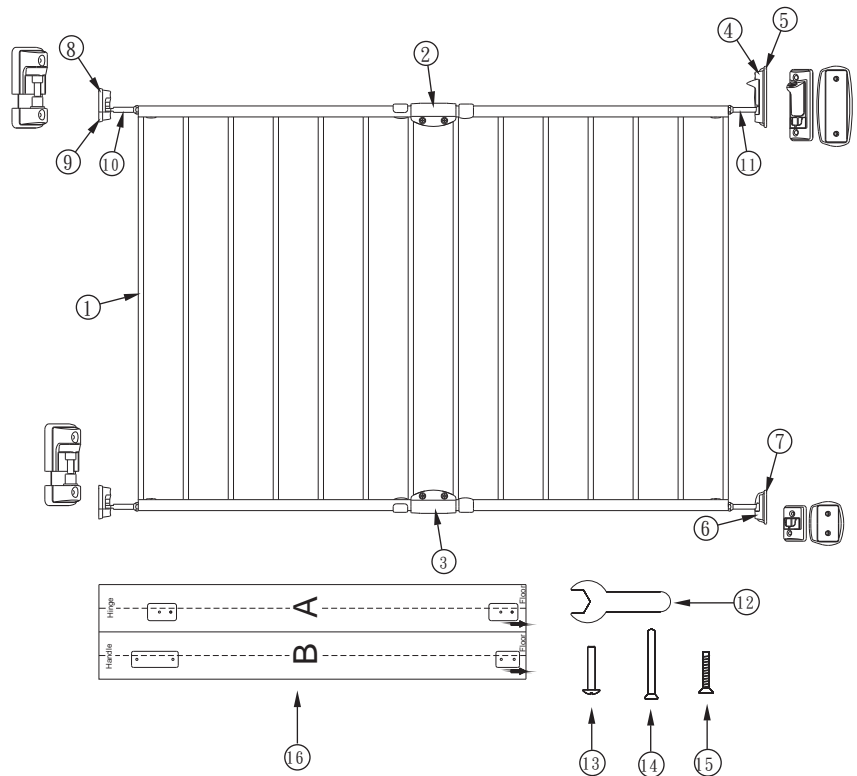
Contact our Customer Care department via email: info@northstatesind.com

Phone: (763) 486-1756 or Toll Free: (800) 848-8421

Intended for use with children 6-24 months

Contents

No.	Part Name	Qty.
1	8-bar gate panel	2
2	Upper panel assembly fitting	1
3	Lower panel assembly fitting	1
4	Upper latch	1
5	Upper latch housing (w/gate stop)	1
6	Lower latch	1
7	Lower latch housing (w/gate stop)	1
8	Hinge pin	2
9	Hinge	2
10	Hinge spindle with locknut & post	2
11	Latch spindle with locknut	2
12	Wrench	1
13	Screw	4
14	Mounting screw	8
15	Hinge screw	2
16	Mounting templates A&B	1

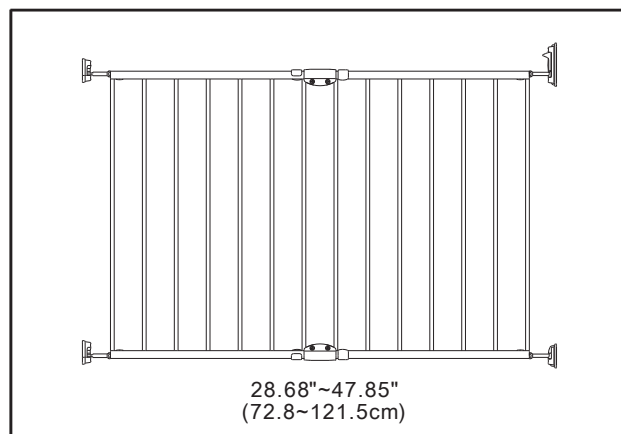


⚠️ WARNING

- This product is intended for use with children from 6 to 24 months of age.
- It is important to install this gate in a proper location with regards to stairs to ensure your child's safety.
- The general condition of the gate should be checked periodically to ensure that the gate remains securely installed and that the locking and auto-close systems function properly.
 - If the safety gate is to be installed at the top of a staircase, it must be no lower than the level of the top step in order to prevent a child from falling down the stairs.
 - If the safety gate is to be installed at the bottom of a staircase, it must be no higher than the bottom step in order to prevent a child from climbing the stairs.
- Do not use this safety gate if any components are damaged or missing.
- Mounting hardware is provided for use only on strong solid surfaces, such as wood or metal.
- Properly size and install this gate per these instructions to avoid safety hazards.
- Never use with a child able to climb over, dislodge, or open the gate.
- Additional or replacement parts should only be obtained from the manufacturer or distributor.
- Never leave child unattended.
- This product may not prevent all accidents.
- To prevent serious injury or death, securely install gate and use according to manufacturer's instructions.
- Use only with locking/latching mechanism securely engaged.
- To prevent falls, never use at top of stairs without properly installed mounting hardware.

Installation and operation

1. Measure the width of the opening where you intend to install the gate. Please refer to this measurement to determine the correct installation configuration.

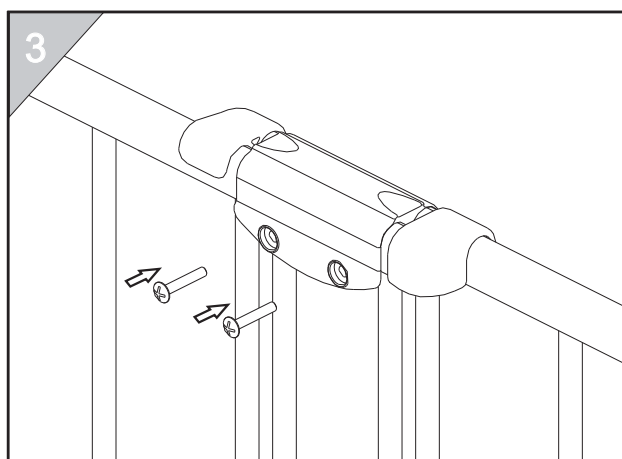
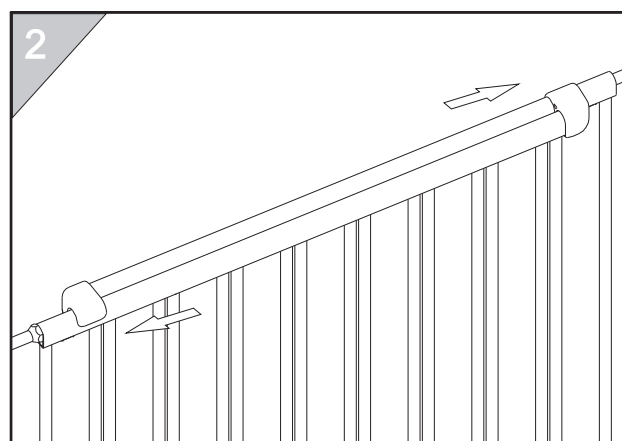
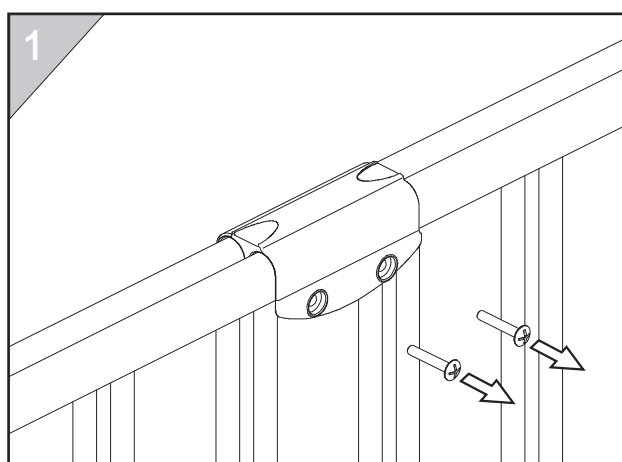


Preparation for Use

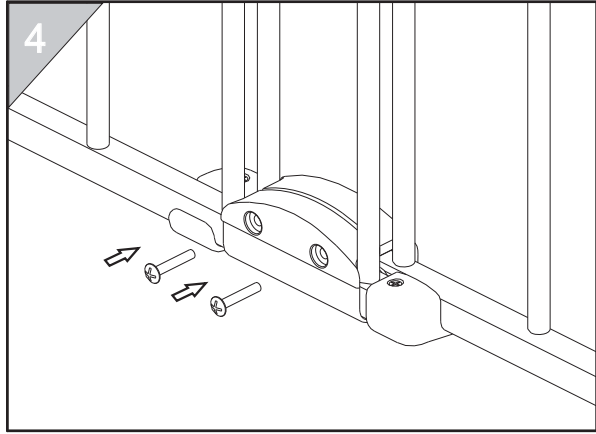
Attaching the two gate panels

1. To begin setting the appropriate width of the gate, unscrew and remove the upper panel assembly fitting (P/N 2) and lower panel assembly fitting (P/N 3).
2. Set the appropriate width of the gate by overlapping the two panels to the extent necessary to allow room for the spindles (parts 10 & 11) on either side of the gate. The maximum allowable overlap is seven bars. The minimum allowable overlap is two bars.
3. Re-install the upper and lower panel assembly fittings on the upper and lower rails.

Insert two screws (P/N 13) into the upper panel assembly fitting and tighten them.



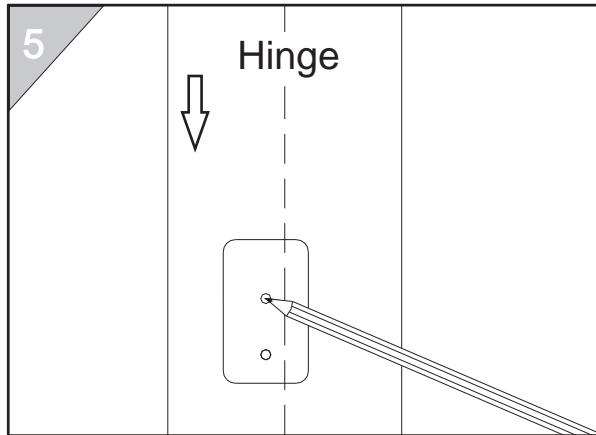
4. Repeat step 3 for the lower panel assembly fitting.



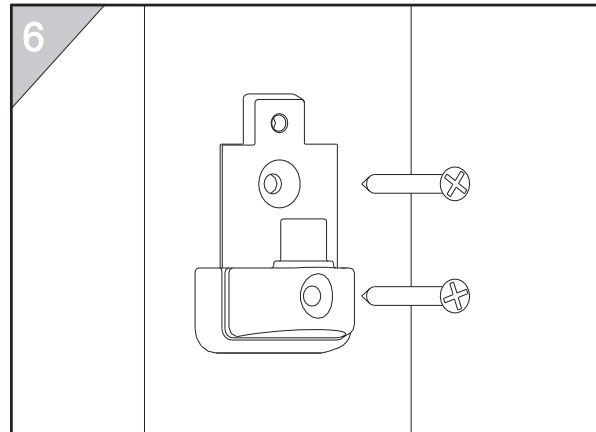
Mounting the hinges

5. Hold template (A) against the surface to which the gate is to be fitted (hinge side).
◦ Ensure that the template is vertical, completely outstretched, and that the end marked “↓” is on the floor.

Mark the screw hole positions.



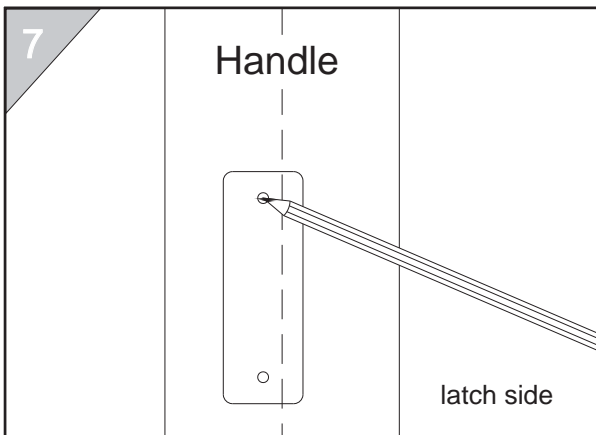
6. Remove the template. Install the two hinges using P/N 14 screws with the post pointing upwards as shown in figure 6 at right.



Mounting upper latch/latch housing

7. Hold template (B) against the surface to which the gate is to be fitted (latch side).
◦ Ensure that the template is vertical, completely outstretched, and that the end marked “↓” is on the floor.

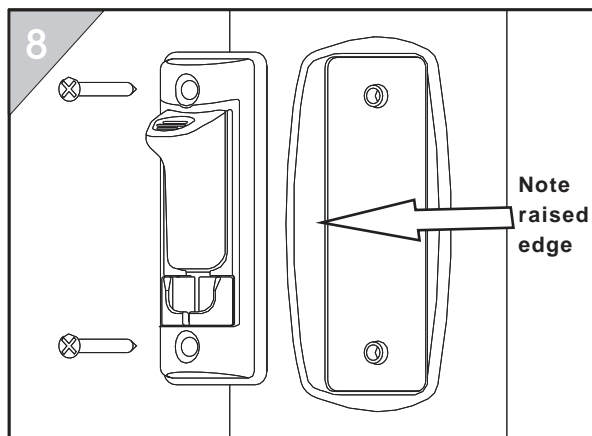
Mark the screw hole positions.



8. Remove the template and mount the upper latch (P/N 4) and upper latch housing (P/N 5) as shown in figure 8.

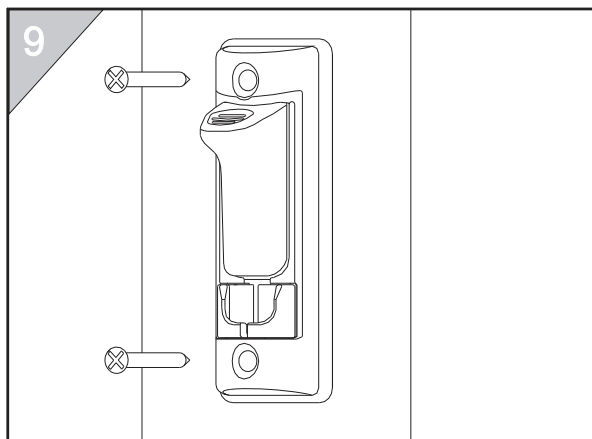
Note that one side of the upper latch housing is higher than the other. This is the gate stop. The gate stop should be on the side to which you do not want the gate to open.

If installing the gate by a staircase, the gate stop must be oriented toward the stairs to prevent the gate from opening over the stairs!



9. Insert the upper latch (P/N 4) in the recess in the upper latch housing (P/N 5) as in figure 9.

Secure both parts to the wall with mounting screws (P/N 14).



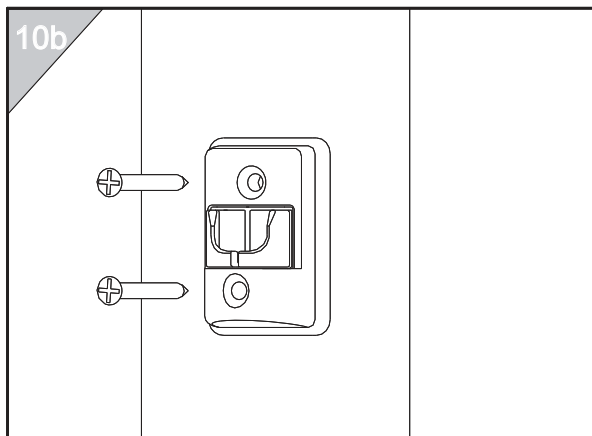
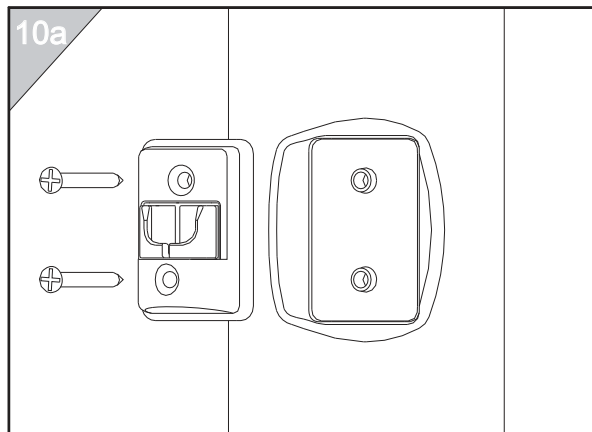
Mounting lower latch/latch housing

10. As in step 8, mount the lower latch (P/N 6) and upper latch housing (P/N 7) as shown in figure 10a.

Note that one side of the lower latch housing is higher than the other. This is the gate stop. The gate stop should be on the side to which you do not want the gate to open.

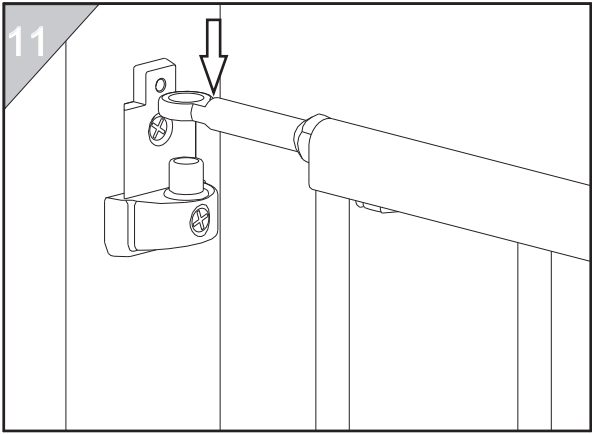
If installing the gate by a staircase, the gate stop must be oriented toward the stairs to prevent the gate from opening over the stairs!

Secure both parts to the wall with mounting screws (P/N 14) as shown in figure 10b.

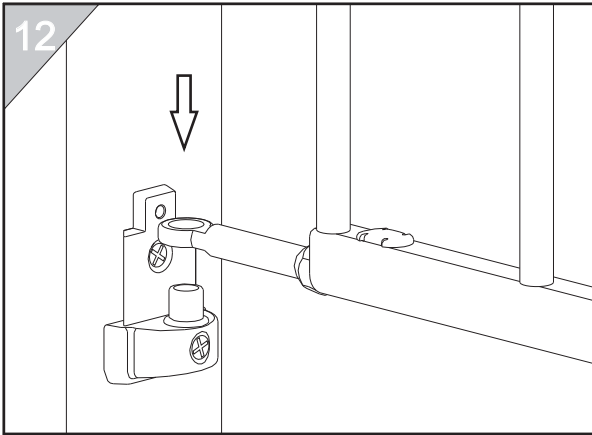


Installing the gate

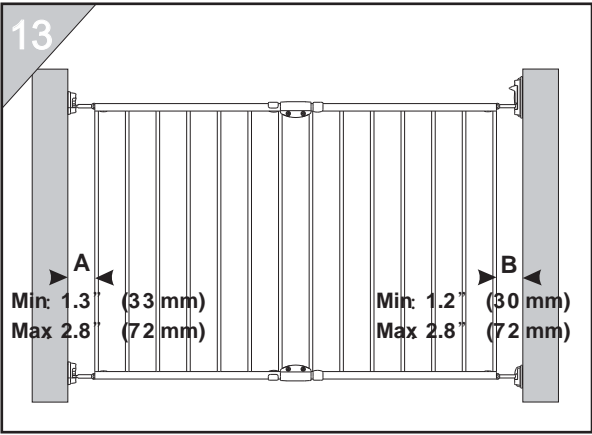
11. Place the upper and lower hinge spindles (see figures 11 and 12) on the upper and lower hinges as shown. Openings between 1.3" and 2.8" (33 mm- 72 mm) should exist between the outer gate bars and the mounting surface. (See figure 13)



12. Turn lower spindle (figure 12) so that it fits on the lower hinge.

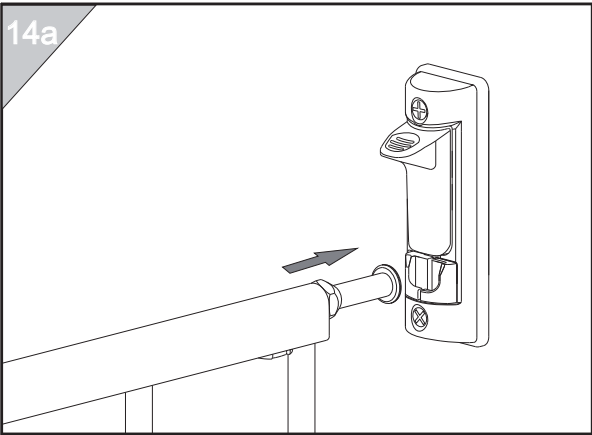


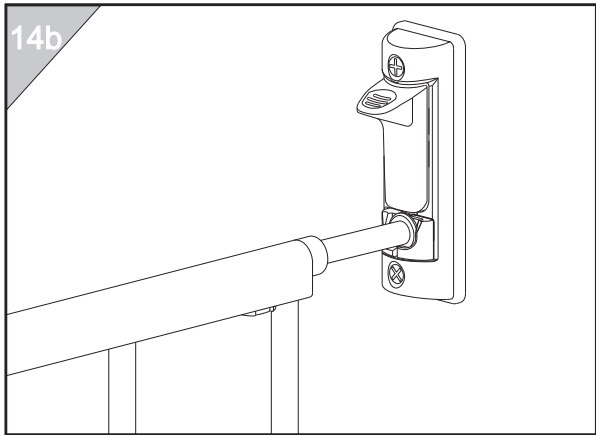
13. Place the gate in the opening so that the distance A (hinge side) is min. 1.3" (33 mm) and max. 2.8" (72 mm). The distance B (latch side) is min. 1.2"(30mm)and max. 2.8"(72mm).



Finalizing gate width setting

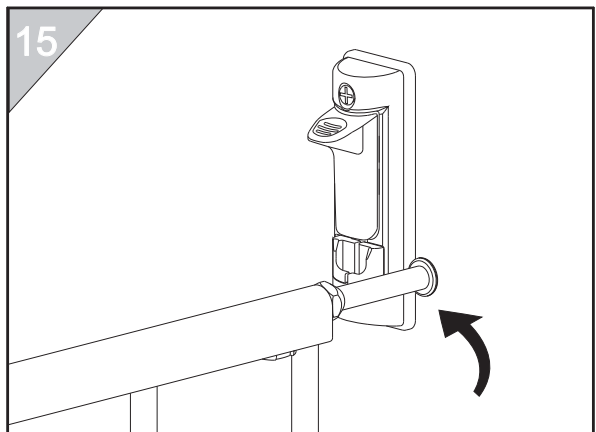
14. Adjust the protrusion of the hinge side and latch side spindles by turning them(see figure 14a) so that the space requirements defined in step 13 are met. The upper and lower latch spindles must engage the latches as shown in figure 14b.



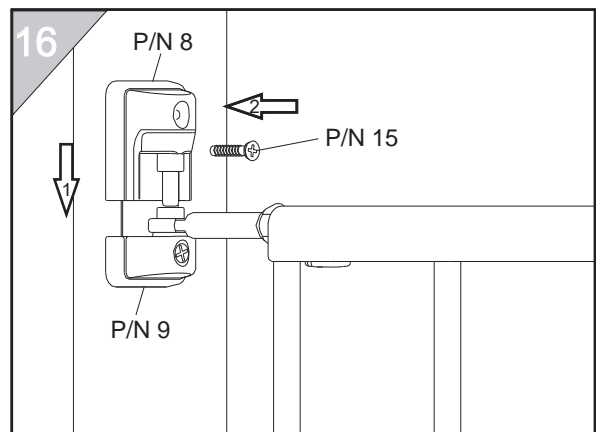


Verifying latch operation

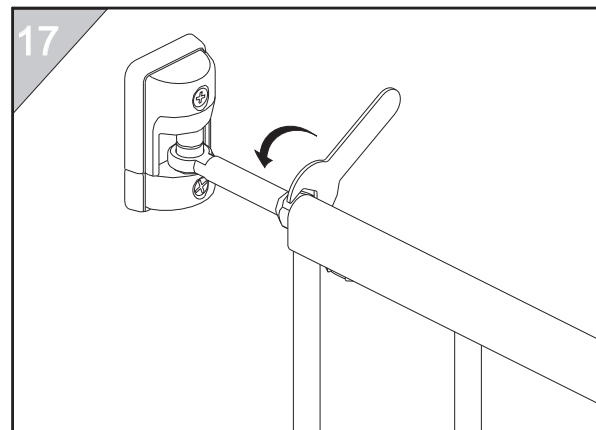
15. Swing the gate closed. The only slight resistance you should feel is when the upper and lower latch spindles swing into the latches with the end of the spindles dropping automatically into the latch cups. (See figure 15).



16. Place the hinge pins (P/N 8) on both the upper and lower hinges as shown in figure 16. Press the hinge pins lightly against the mounting surface and downwards to make sure that the hinge pins are located correctly. Secure the top and bottom hinge pins in place with screws (P/N 15).

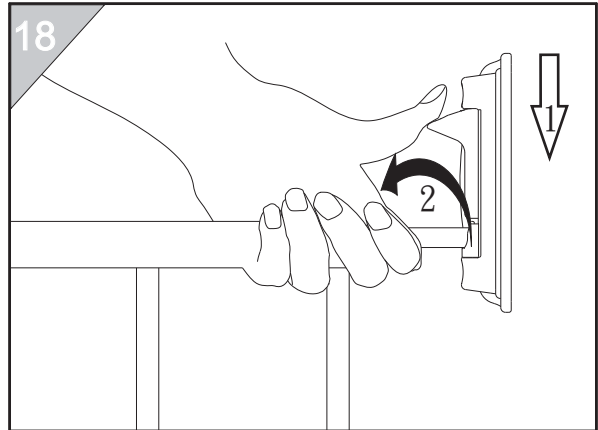


17. Tighten all spindle locknuts with provided wrench (P/N 12). Fully tighten all screws, including the screws in the upper and lower panel assembly fittings shown in figures 3 & 4.



18. To open the gate, press the latch button downwards with thumb as shown in figure 18, while simultaneously lifting the latch spindle out of the cup and rotating the gate open.

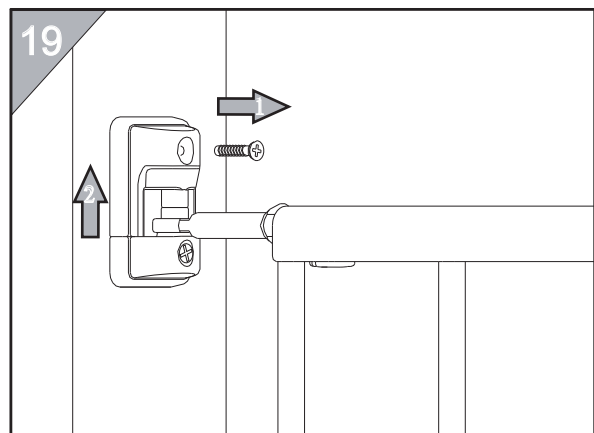
When closing the gate, ensure that the upper and lower latch spindles are seated in their respective cups (see figure 14b). Verify that the upper latch release button prevents the gate from being opened unintentionally.



Removal and reinstallation

19. If you wish to temporarily remove the gate, remove the screws holding the upper and lower hinge pins in place. Insert a small bladed screwdriver in the screw hole and gently pull upward and inward to disengage the hinge pin. The gate may now be removed from its installation position. Save the screws and hinge pins in a safe location for later reuse.

When reinstalling the gate, please be certain to reinstall the hinge pins safely by following step 16 completely.



CARE:

CLEANING: Clean the safety gate using warm water and a mild detergent. Use a soft cloth or sponge to avoid scratches. Never use solvents or chemicals to clean the safety gate.

Important Safety Cautions:

1. Do not use the product if any components are broken or missing. Do not use replacement parts other than those approved by the manufacturer or distributor. Non-approved spare parts may render the repair or the product unsafe.
2. Check regularly that all fittings and components are secure and that no components are worn, broken or missing.
3. Check regularly that all fittings are securely tightened and that the locking mechanism is working properly.

Distributed exclusively in the United States by

North States Industries, Inc.
 1507 92nd Lane N.E.
 Blaine, MN 55449
www.northstatesind.com

Manufactured in
 Guang Dong, China