



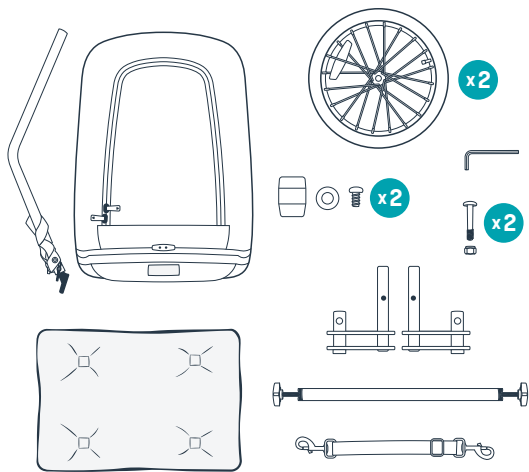
Get started!



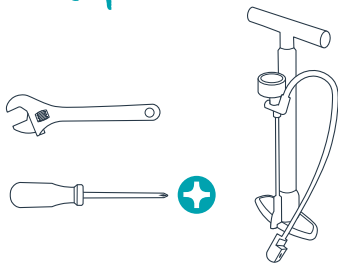
Happy Ride[™] **DOG BICYCLE TRAILER**

Your best friend will be right behind you
on your next adventure.

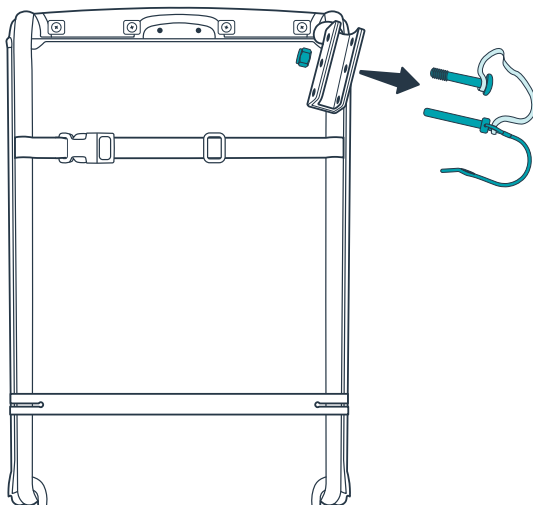
What you have



What you need

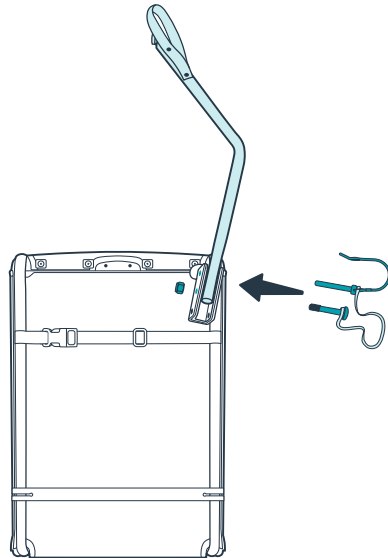


1



Remove the nut, bolt and locking pin from the tow bar mounting bracket on the bottom of the trailer. Leave the black plastic spacer in place.

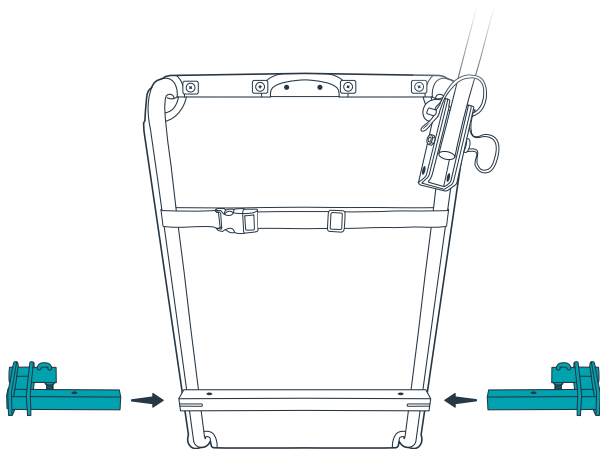
2



Place the tow bar in the tow bar mounting bracket. Line up the holes at the end of the tow bar with the center holes on the tow bar mounting bracket.

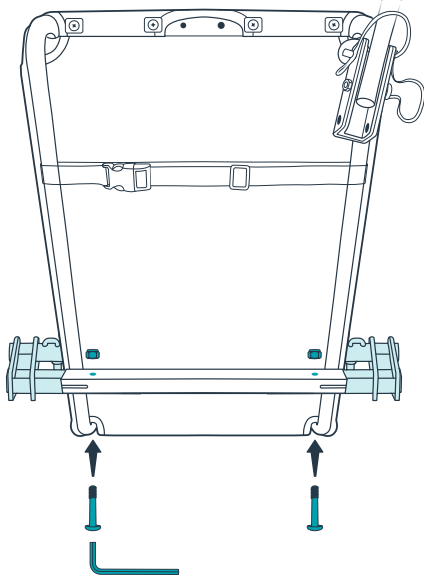
Secure the tow bar with the nut, bolt and locking pin. The bolt should go through the center holes.

3



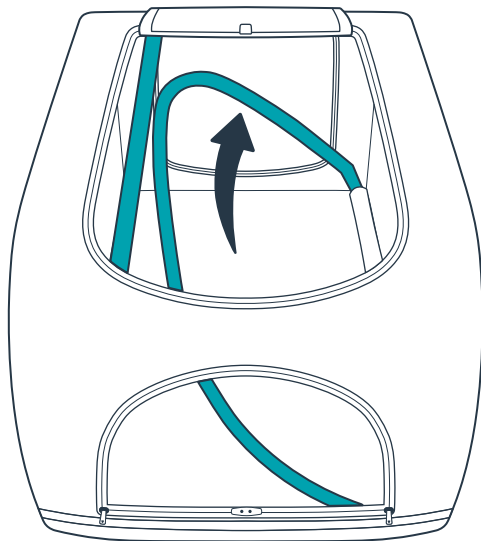
Insert the wheel mounting brackets into the ends of the square brace that runs under the back of the trailer. Make sure the wheel mounting brackets point toward the top of the trailer.

4



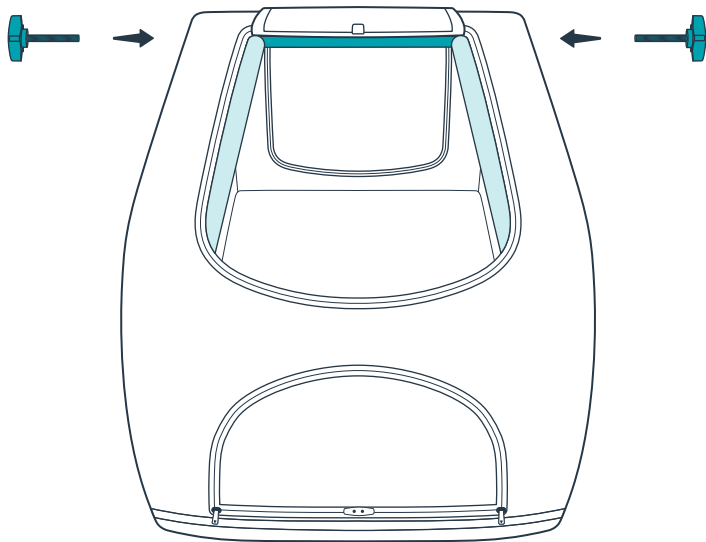
Secure the wheel mounting brackets to the trailer using the nuts, bolts and hex key provided. Use a wrench to hold the nuts while you tighten the bolts.

5



Turn the trailer over and raise the trailer side panels.

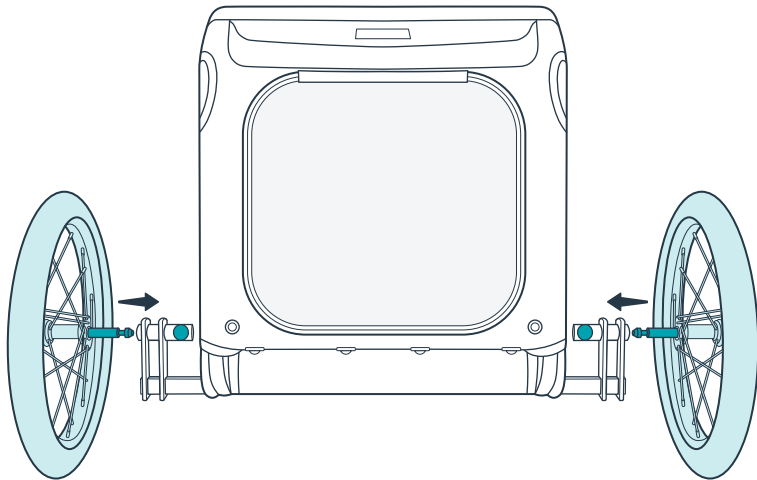
6



Remove the two star knobs from the ends of the roof support rod. Position the roof support rod inside the trailer, between the top bars of the two side panels.

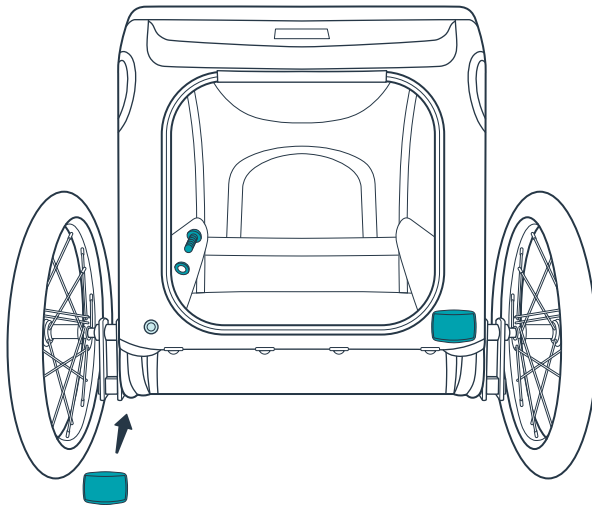
Insert each star knob through the holes in the fabric cover and the top bar of the side panel, and into the threads on the end of the roof support rod. Tighten the star knobs.

7



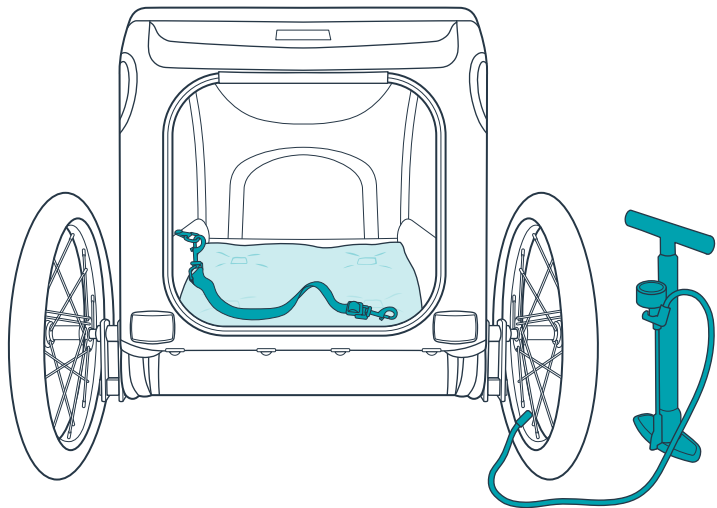
Remove the disposable black plastic cap from each wheel axle. While pressing the wheel lock button, insert each wheel axle into the round hole in the wheel mounting bracket. Release the wheel lock button to lock each wheel in place. Pull out on each wheel to confirm it is locked in place.

8



Attach the two reflectors to the back of the trailer by inserting screws and washers through the holes in the fabric shell and into the holes in the back of the reflectors. Tighten with a screwdriver.

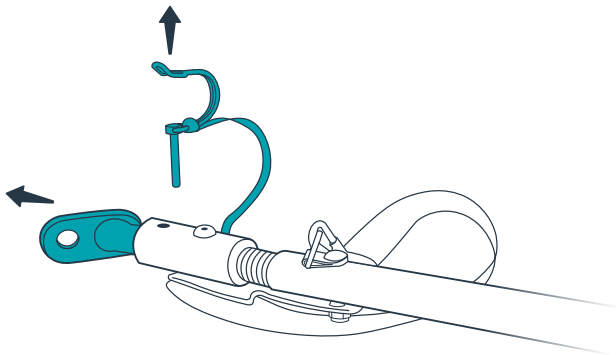
9



Place the cushion on the floor of the trailer and attach the safety tether to one of the D-rings inside the trailer.

Use a bicycle pump to inflate the tires to the pressure level marked on each tire.

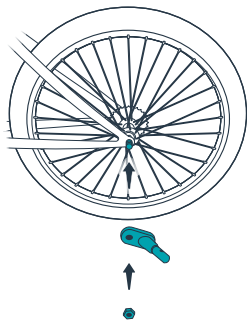
10



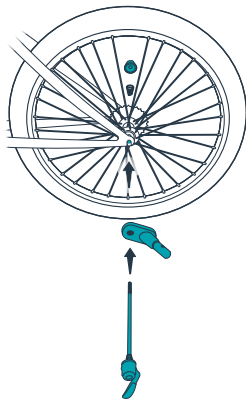
Release the locking pin and remove the black hitch from the tow bar.

11

Attach the hitch to the left side of your bicycle's rear wheel hub. The hitch should point back and slightly downward.

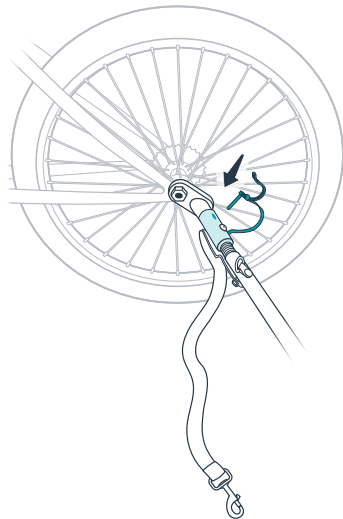


For standard wheels, remove the axle nut, position the hitch on the axle, and reattach the axle nut.



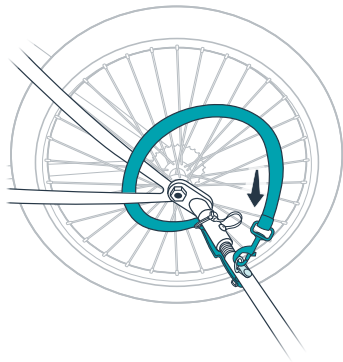
For quick release wheels, remove the quick release skewer from the rear wheel hub, insert it through the hitch, and then reassemble it through the rear wheel hub.

12

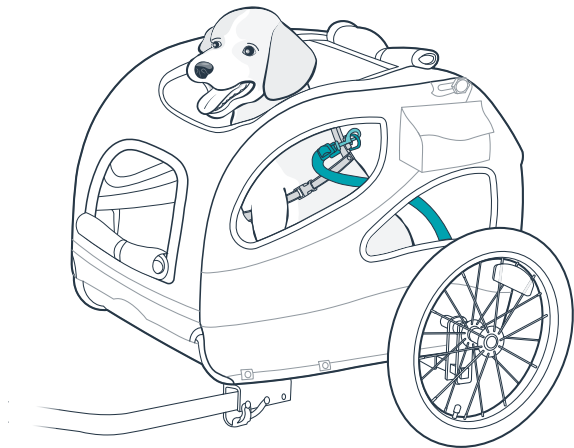


With the trailer behind the bicycle, slide the end of the tow bar over the end of the hitch and secure it with the locking pin.

13



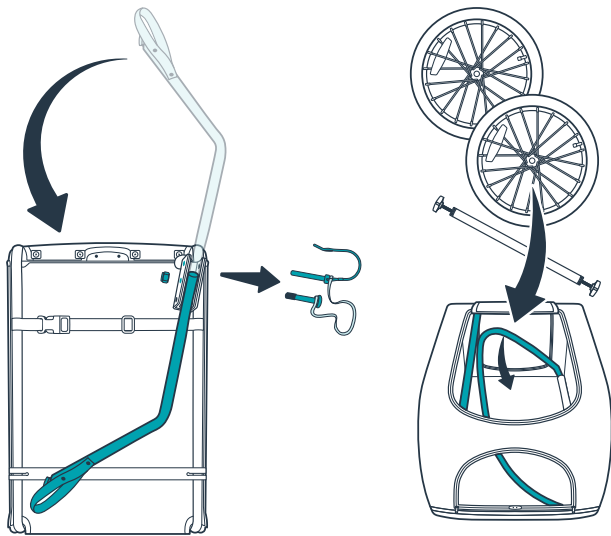
Loop the black safety strap around the bicycle frame and clip it to the D-ring on the tow bar.



Gently help your dog into the trailer through the rear or top door. Attach the safety tether to your dog's harness and adjust it so it's short enough to keep your dog secure and safe inside the trailer.

Always use the safety tether and zip the rear door closed before taking a ride. Take it slow and offer lots of praise and treats while you and your dog get used to riding together!

15



When it's time to store the trailer, remove the locking pin and fold the tow bar under the trailer. Place the roof support rod and wheels inside the trailer, and fold down the side panels.

Get ready for riding trails and wagging tails.

Let us help!

For questions or additional tips:

+1 (800) 732-2677

petsafe.com

1-Year Warranty

©2020 Radio Systems Corporation

Model: 62340, 62341, 62394, 62395 | JT400-2315/1

For important safety information, please see the customer care guide.

live *happy* together™