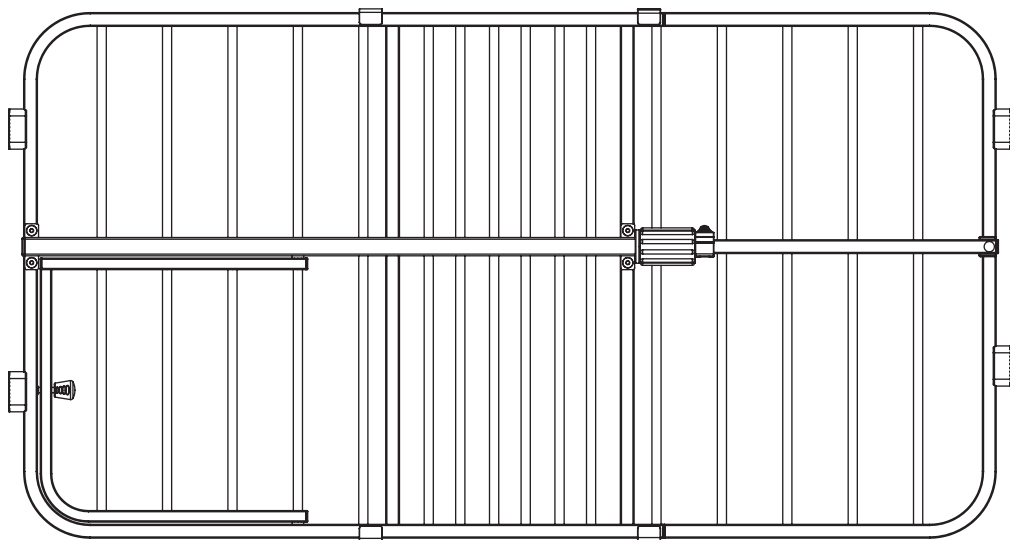


# TUFFY EXPANDABLE GATE

## WITH SMALL PET DOOR



- READ ALL INSTRUCTIONS BEFORE ASSEMBLY AND USE OF GATE.
- KEEP INSTRUCTIONS FOR FUTURE USE.

 [www.carlsonpetproducts.com](http://www.carlsonpetproducts.com)

 Carlson Pet Products, Inc.  
3200 Corporate Center Drive, Suite 105 | Burnsville, MN 55306, USA

 952.435.1084

Made in China

# Before Using Product

---

Read and follow all instructions carefully to ensure that your gate is properly installed. Improper installation could result in the gate becoming unstable or dislodged from the doorway. Please keep these instructions for your reference.



## WARNING

- To prevent serious injury or death, securely install gate or enclosure, and use according to manufacturer's instructions.
- Check the gate regularly to see if all the hardware and mountings are tightened.
- To prevent falls, NEVER use at the top of stairs.
- This is a Pet Gate. NOT intended for use with children.
- This is a Pet Gate, but when used with children the small pet door must remain closed and securely latched.
- Strangulation hazard: pets can force themselves into very small openings; use this gate with pets whose heads will not fit into openings in the gate, between the gate and floor, or between the gate and wall.
- Never use with pet able to climb over or dislodge/open the gate or enclosure.
- Never leave pet unattended.
- Install with locking mechanism on side away from pet.
- This gate is designed to fit openings 26 to 42 inches.

# Installing Your Gate

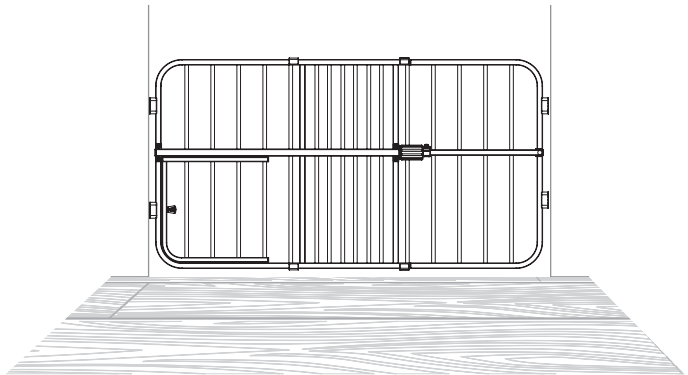
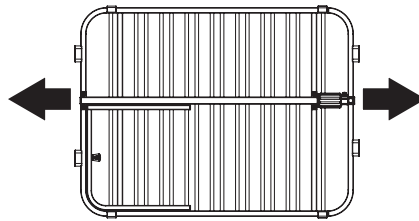
## STEP 1

Place your *expandable gate* in an opening no smaller than 26 inches and no larger than 42 inches wide.

**NOTE:** If the opening has a baseboard or molding near the floor, be sure to place the gate above the molding so that the gate is installed on a vertically even surface.

## STEP 2

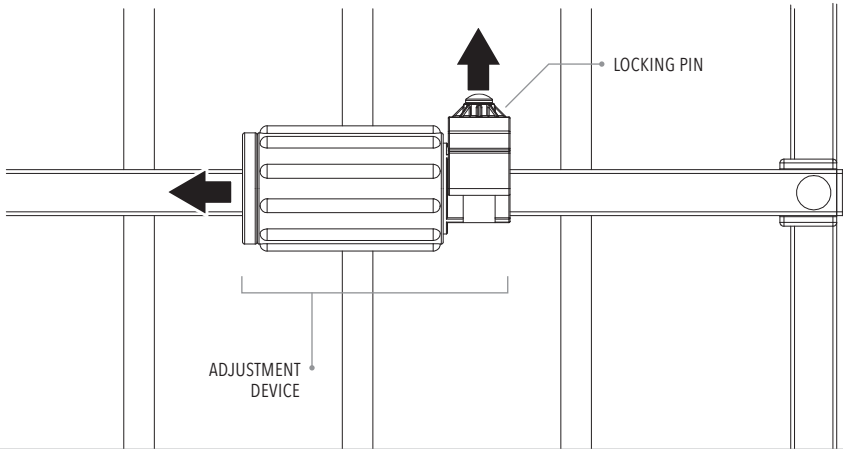
With one hand on each side of the *gate frame*, pull away from the center until the gate spans the entire length of your doorway or opening.



**NOTE:** Be sure to pull from the outside frame of the gate, NOT the inner round bars.

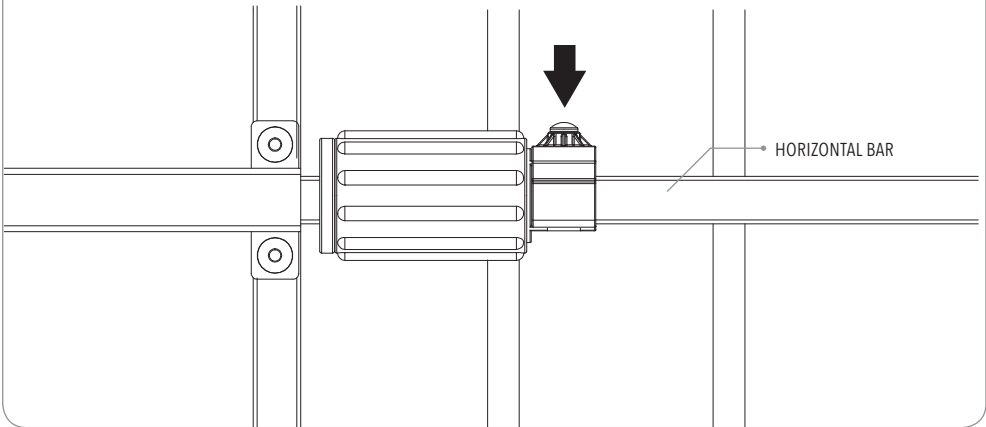
### STEP 3

To lock the gate into position, pull up on the *locking pin* and slide the *adjustment device* towards the center of the gate.



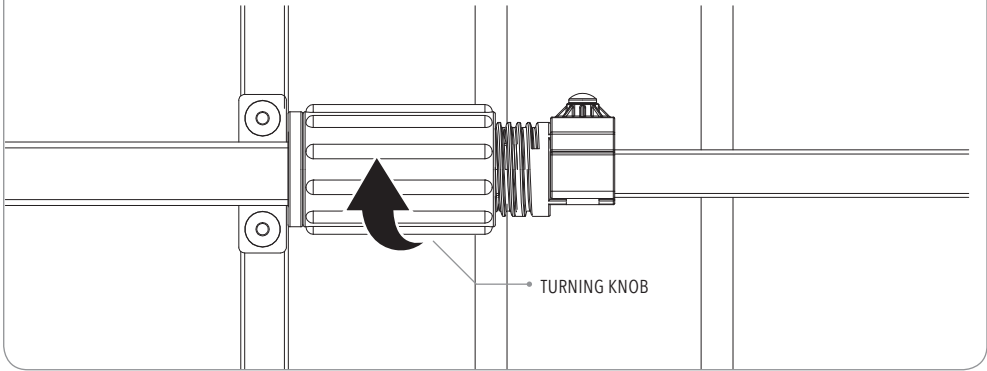
### STEP 4

When the *adjustment device* can go no further, push down on the *locking pin*. The pin will insert into one of the holes on the *horizontal bar* and secure the *adjustment device* in place.



## STEP 5

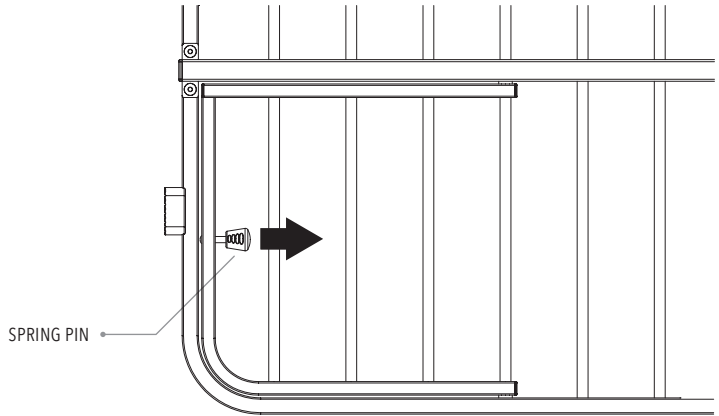
Use the *turning knob* to tighten and secure the gate in place. Rotate the knob away from you (clockwise) until enough pressure is created to stabilize and secure your gate.



**NOTE:** Test the gate to make sure it is tightly secured and cannot be easily pushed out. Once the gate is secured in place, it is ready to use!

## SMALL PET DOOR

To use the small pet door, pull back on the *spring pin*.



## REMOVING YOUR GATE FROM THE WALL

**STEP 1:** Rotate the *turning knob* towards you (counterclockwise) to alleviate the pressure.

**STEP 2:** Lift up on the *locking pin* and slide the *adjustment device* away from the middle of the gate.

**STEP 3:** With both hands on the outer frame of the gate, slide the panels inward and remove the gate from your doorway or opening.

## CARE AND MAINTENANCE

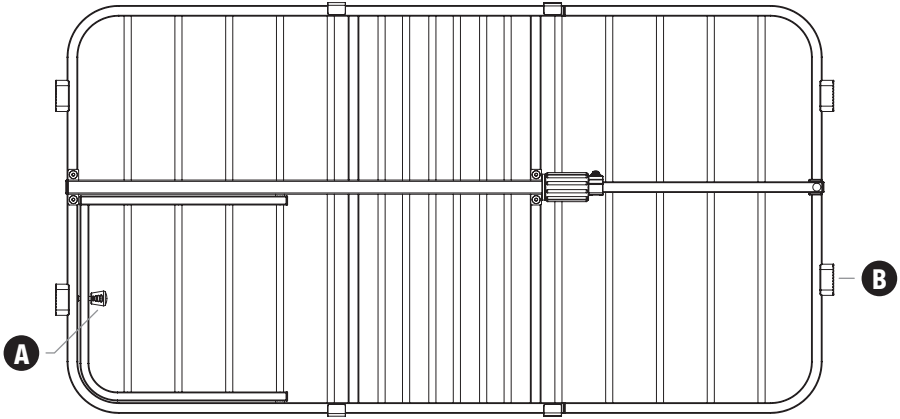
Periodically check the gate for signs of damage, wear, or missing components. Do not use if any part is missing, worn or damaged. Check the gate regularly to ensure all the hardware and mountings are tightened. Do not use abrasive cleaners or bleach. Clean by sponging with warm water and a mild detergent.

## 90 DAYS LIMITED WARRANTY

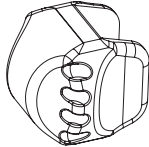
If, during the first 90 days after consumer purchase of the item, under reasonable and non-commercial use and conditions of maintenance, it fails while owned by the original purchaser because of the quality of materials or workmanship of finish and assembly, Carlson Pet Products, Inc. will replace or repair it at Carlson's option. PROOF OF PURCHASE REQUIRED.

# Replacement Parts

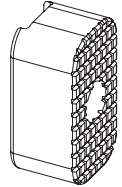
---



**A** **Pet Door Pull Lock**  
White = #13038



**B** **Rubber Bumper**  
Black = #11018





**[www.carlsonpetproducts.com](http://www.carlsonpetproducts.com)**



Carlson Pet Products, Inc.  
3200 Corporate Center Drive, Suite 105  
Burnsville, MN 55306, USA



952.435.1084