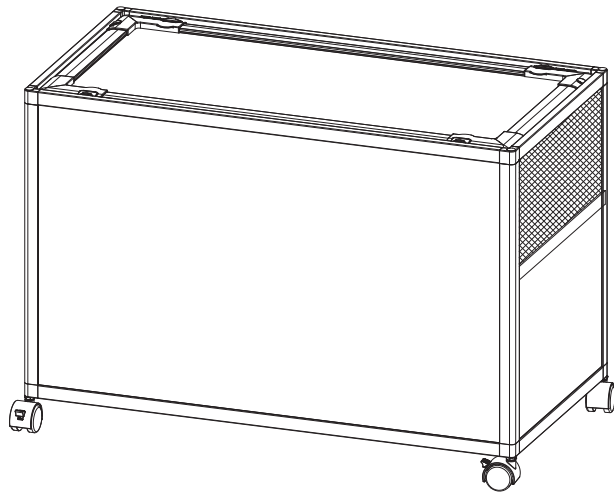


# RKE KNOCK-DOWN GLASS TERRARIUM INSTRUCTION MANUAL

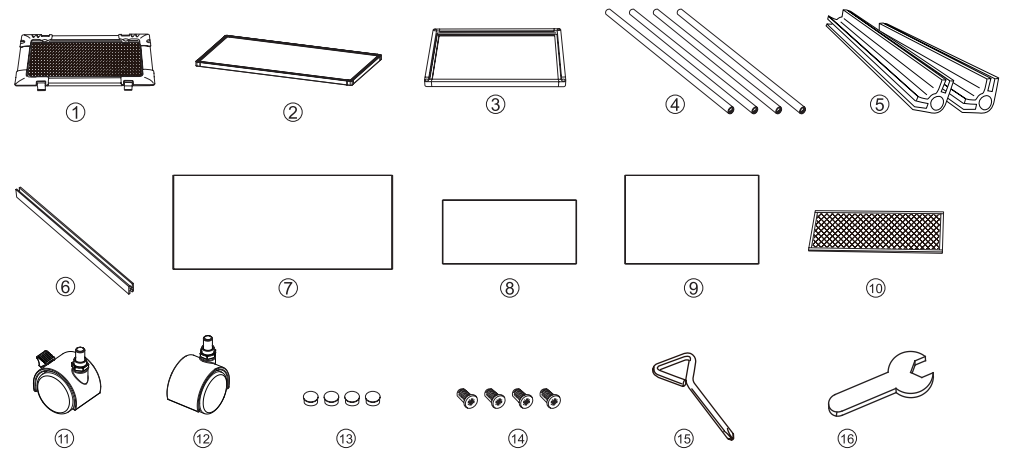


## Product overview

High-end RKE terrariums are designed to be easily assembled and disassembled. It is 360°visually appealing. With universal wheels at the base, it can be moved or locked conveniently. This series of terrariums are suitable for scorpions, spiders, geckos, snakes and tortoises.

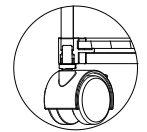
## Packing List

- |                           |                                      |                      |
|---------------------------|--------------------------------------|----------------------|
| 1. Top Mesh Cover: 1PC    | 7. Back and Front Glasses: 2PCS      | 13. Rubber Cap: 4PCS |
| 2. Base :1PC              | 8. Side Glass: 1PC                   | 14. Screw: 4PCS      |
| 3. Top Frame: 1PC         | 9. Side Glass: 1PC                   | 15. Screwdriver 1PC  |
| 4. Metal Tubes: 4PCS      | 10. Side Mesh: 1PC                   | 16. Spanner: 1PC     |
| 5. Plastic Supports: 4PCS | 11. Front Wheels with Brakes: 2PCS   |                      |
| 6. H-slot: 1PC            | 12. Back Wheels without Brakes: 2PCS |                      |



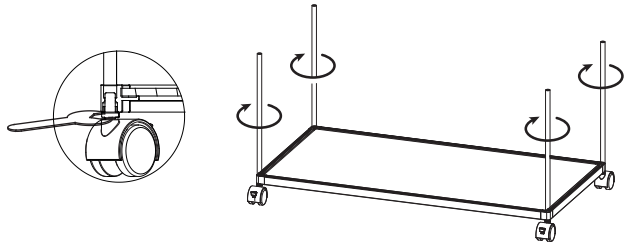
## Assemble instruction

Wheels with brakes shall be installed to the front while wheels without brakes installed to the rear.

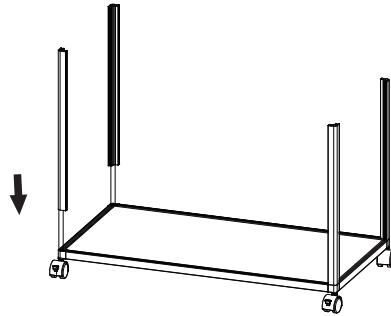


Thanks for choosing our company's products. In order to use this product properly and ensure its service life, please read the instructions book carefully before using it.

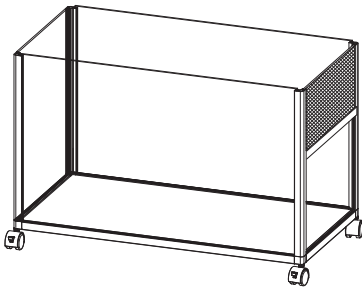
2. Apply spanner to fix nut on the wheel when install the metal tubes.



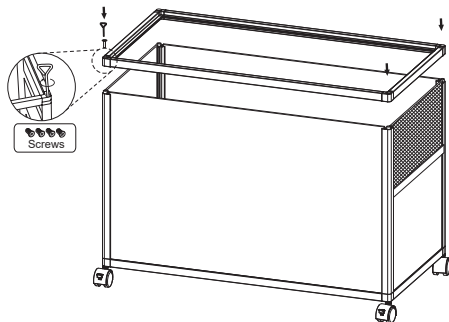
3. Install plastic supports of the terrarium



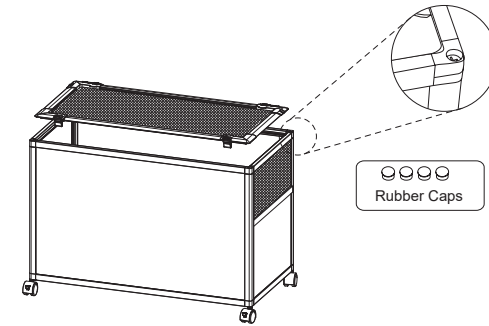
4. Install 4 sides glasses and side meshes.



5. When all the four sides have been installed, place the top frame, then screw the 4 screws firmly onto the metal tubes.



6. Cover screws with rubber caps.



## 五 Safety and maintenance

1. Please read carefully instruction manual and follow safety instruction before using this product.
2. Do not place the terrarium in damp areas or places exposed to direct sunlight, such as bathroom or balcony.
3. When moving the terrarium, handle it with care and should not move it with wet hands. When moving the terrarium which has been landscaped, please be aware that landscape inside it may incline or fall and cause the terrarium to break due to uneven forces.
4. This product can not be assembled by children alone. Children can not use the terrarium without guidance