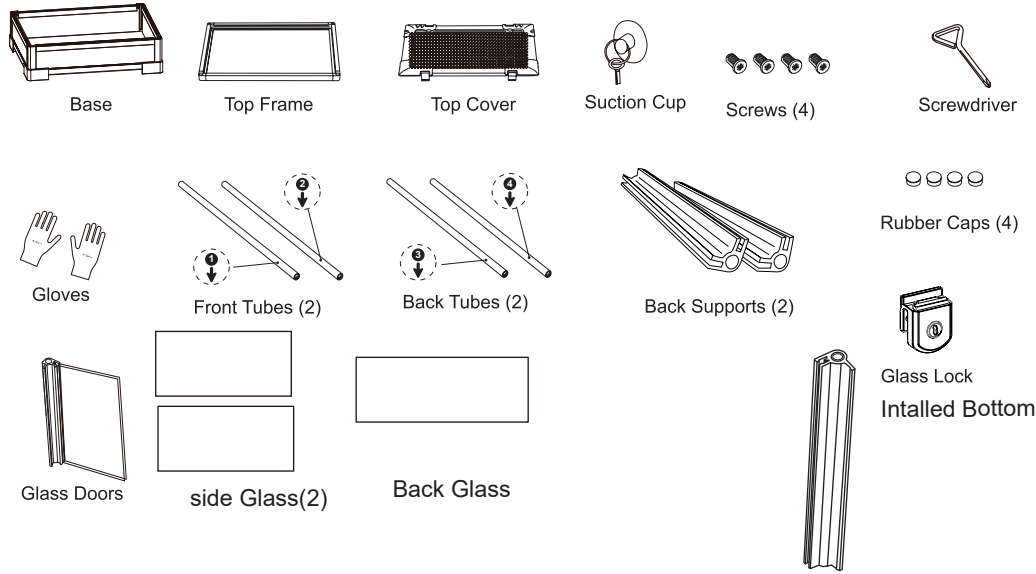
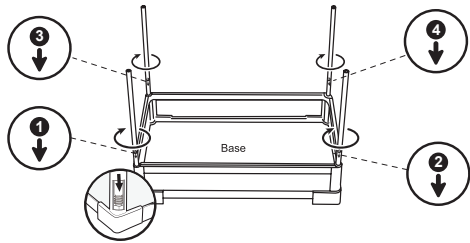


**PARTS LIST**

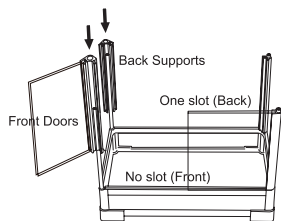


**INSTALLATION INSTRUCTIONS**

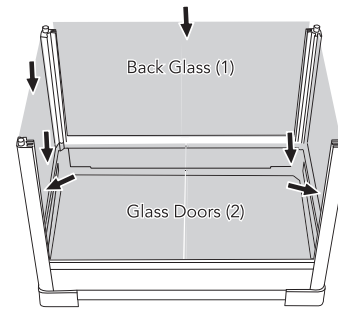
1. Install the threaded metal tubes provided to the base. First Check the Numbers and Arrow marks on the metal tube, And firmly screw the metal tubes in turn onto the base of the terrarium.



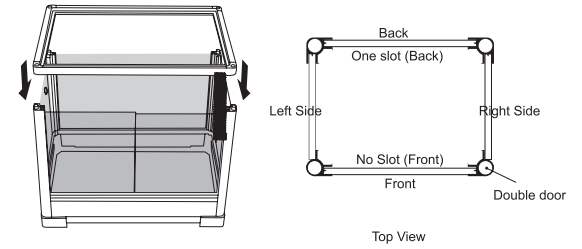
2. Install the two back supports of the terrarium. For the front doors, install the top front door to the left side and the top right door to the right side.



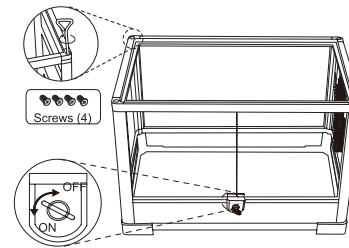
3. Install back glass and side glass panels.



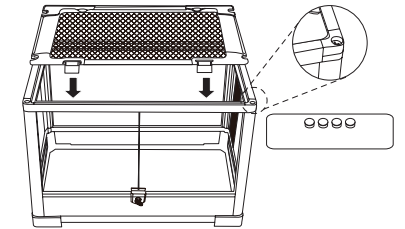
4. When all the four sides have been installed, place the top frame without the top metal ventilation mesh. Make sure that the top frame sits in properly.



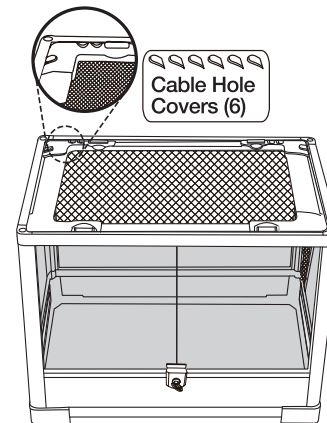
5. Screw the 4 screws firmly onto the metal tubes and then fix the glass lock in the front glass panel.



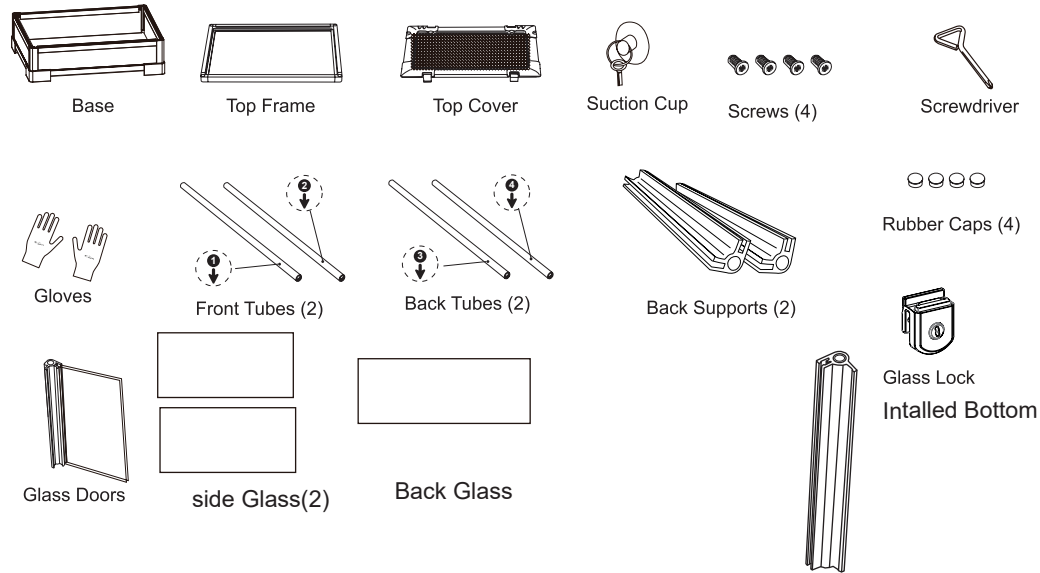
6. Install top metal ventilation mesh and the 4 rubber caps on top of the screws to cover the screws.



7. Top cover cable hole covers

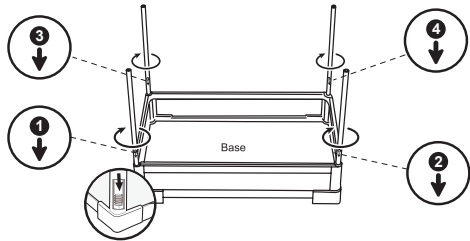


## PARTS LIST

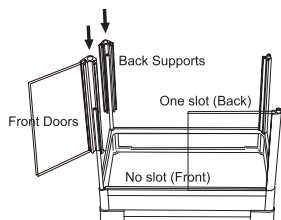


## INSTALLATION INSTRUCTIONS

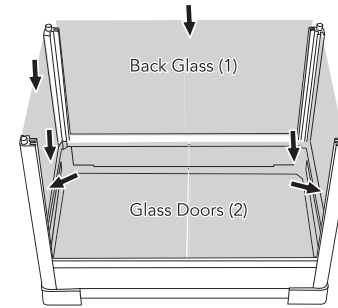
1. Install the threaded metal tubes provided to the base. First check the Numbers and Arrow marks on the metal tube, and firmly screw the metal tubes in turn onto the base of the terrarium.



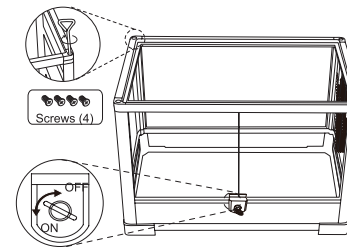
2. Install the two back supports of the terrarium. For the front doors, install the top front door to the left side and the top right door to the right side.



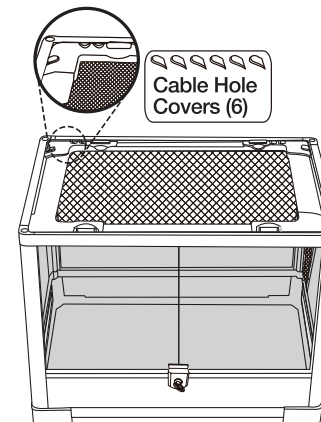
3. Install back glass and side glass panels.



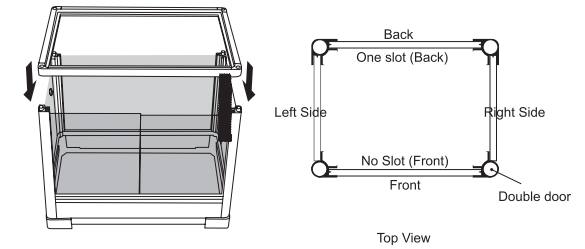
5. Screw the 4 screws firmly onto the metal tubes and then fix the glass lock in the front glass panel.



7. Top cover cable hole covers



4. When all the four sides have been installed, place the top frame without the top metal ventilation mesh. Make sure that the top frame sits in properly.



6. Install top metal ventilation mesh and the 4 rubber caps on top of the screws to cover the screws.

