

frisco[®]
by **chewy**



Double Door Dog Crate Instruction Manual

Sku# 787222, 716774, 787230, 787214, 738630, 716766

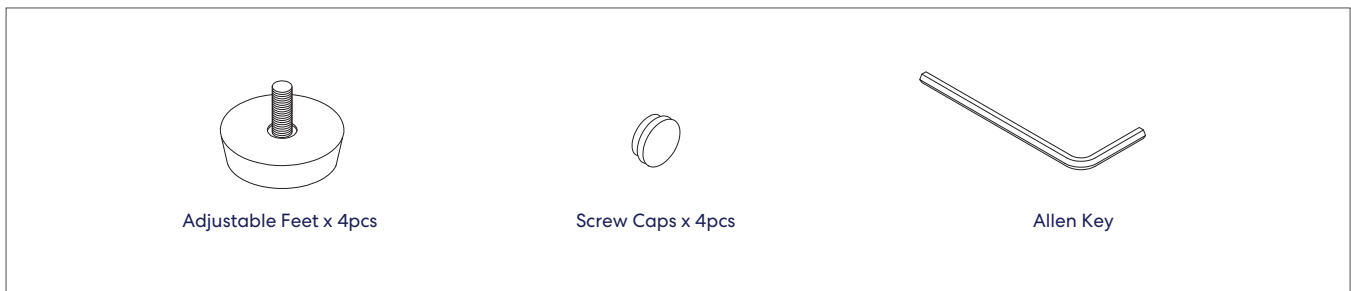
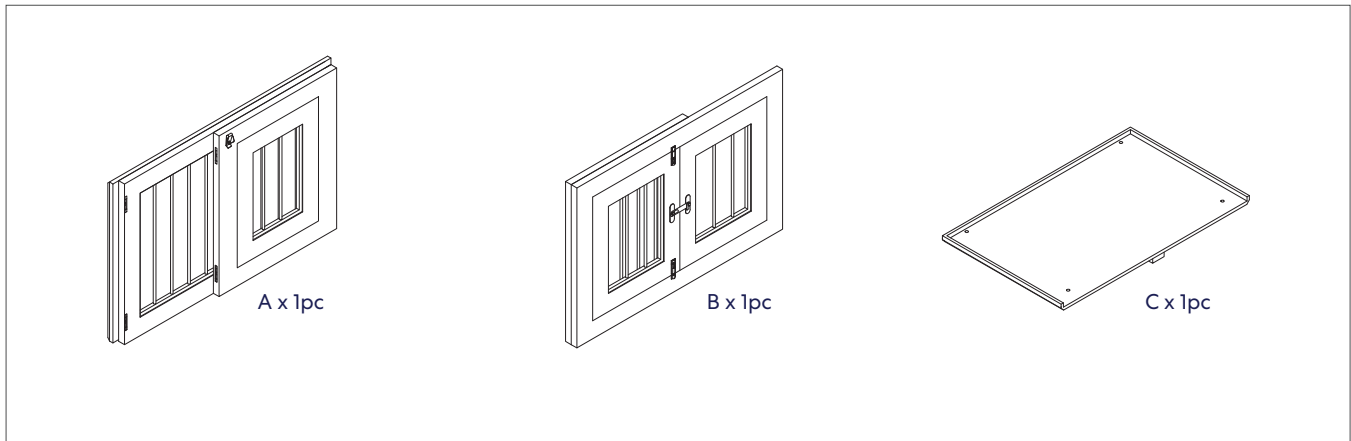
FOR PET USE ONLY

Assembly Instructions

Please Read Through All Instructions Before Starting

Prior to assembling your new crate, we recommend following these instructions step by step. Make sure all parts are ready before you start assembly. Identify and locate each of the components listed below.

Parts Included



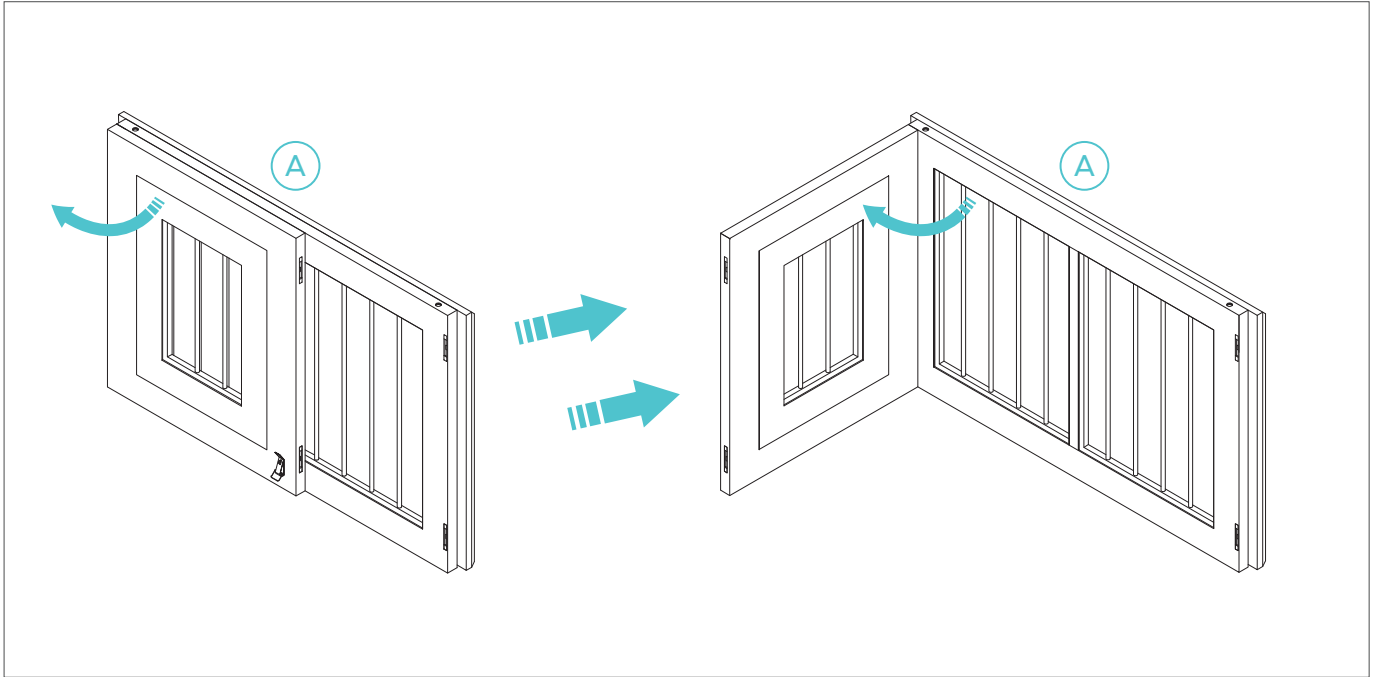
*NOTE: Two adults recommended for assembly.

Assembly Instructions

Please Read Through All Instructions Before Starting

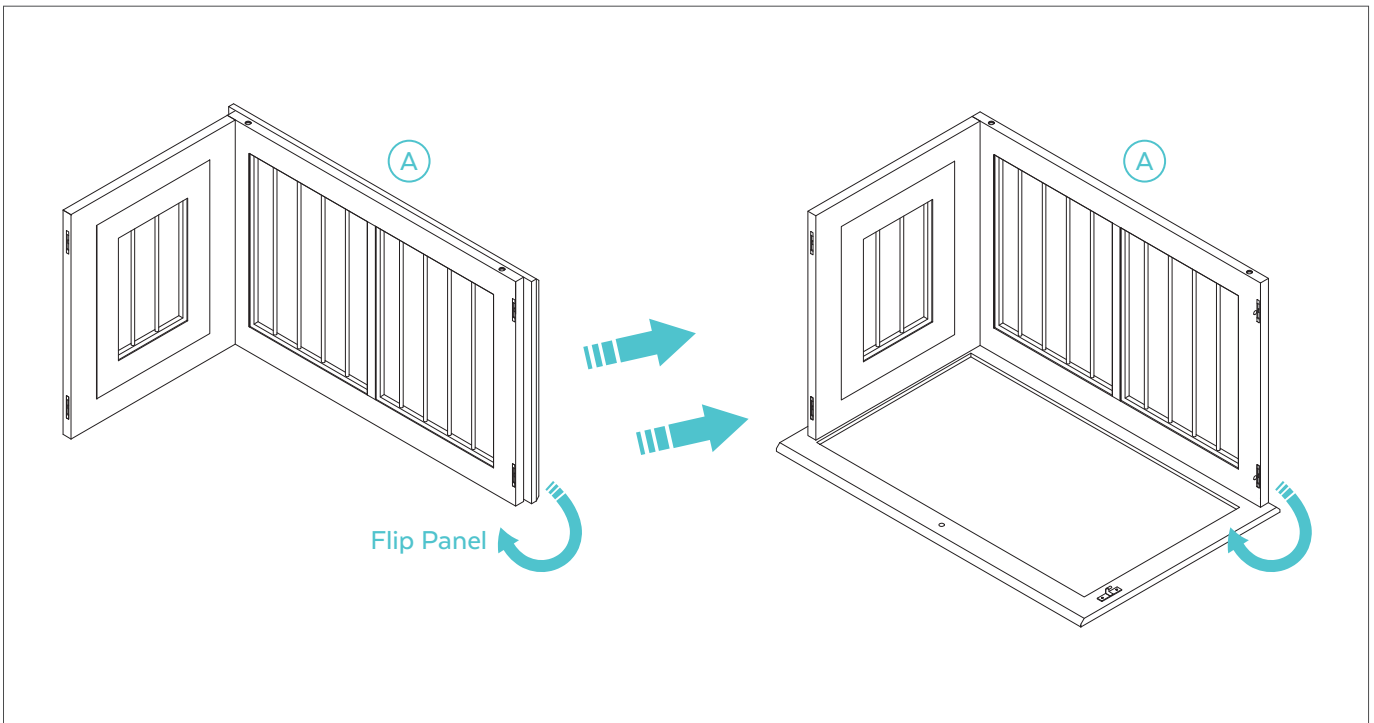
Step 1

Pull open the side panel on Part (A), as shown below.



Step 2

On Part (A), flip the largest panel under the structure, so it lays flat on the floor.

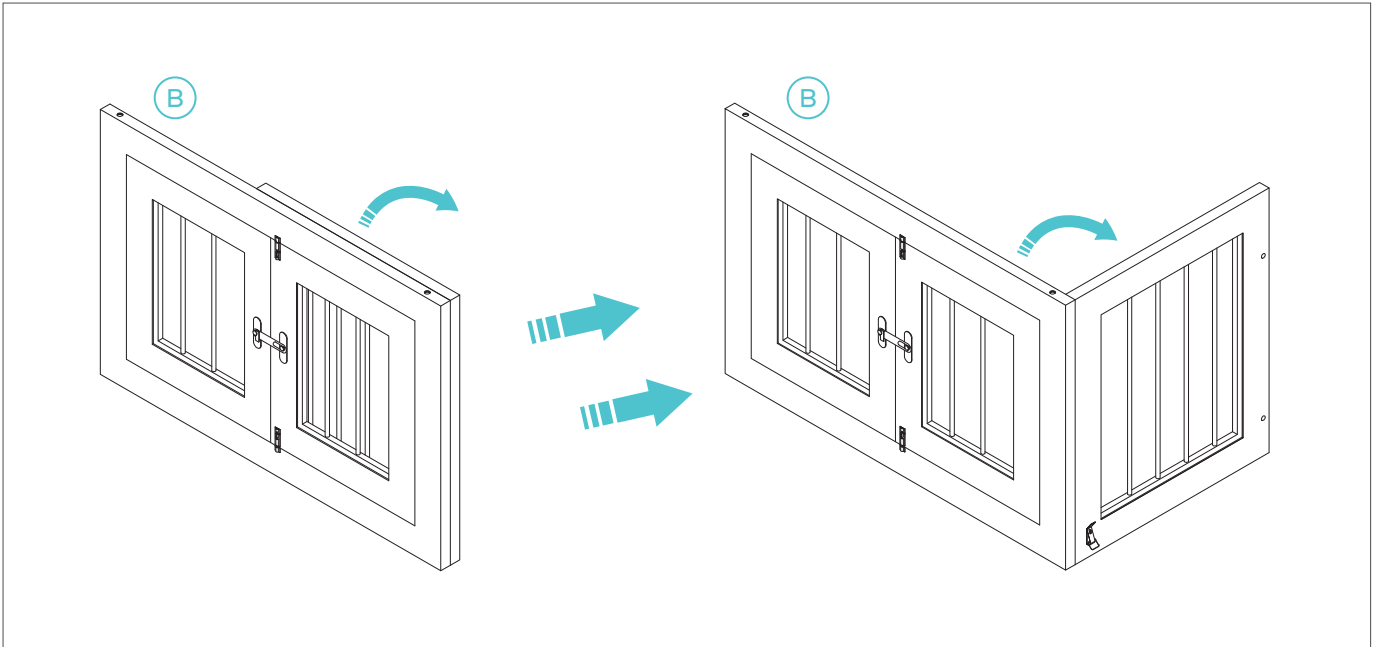


Assembly Instructions

Please Read Through All Instructions Before Starting

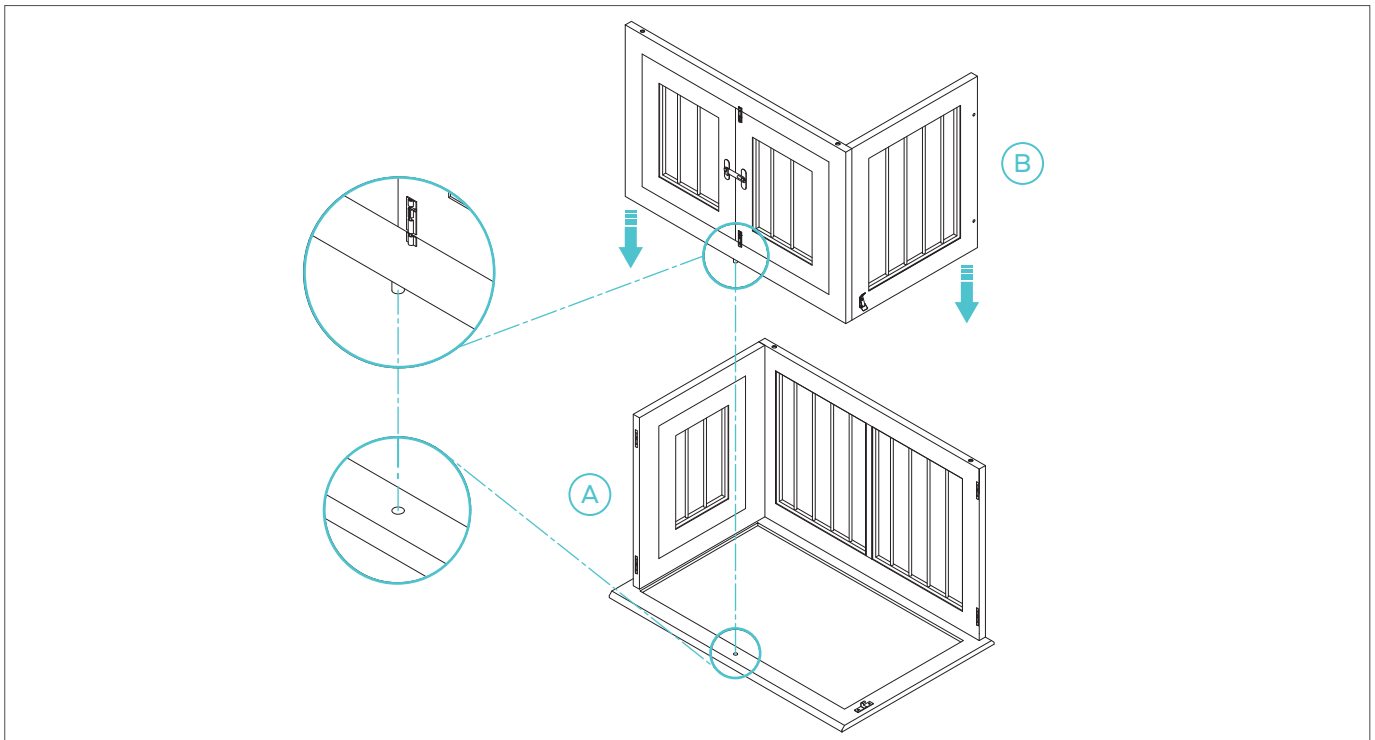
Step 3

Pull open the side panel on Part (B), as shown below.



Step 4

Place Part (B) onto Part (A) while making sure the peg is inserted into the hole.

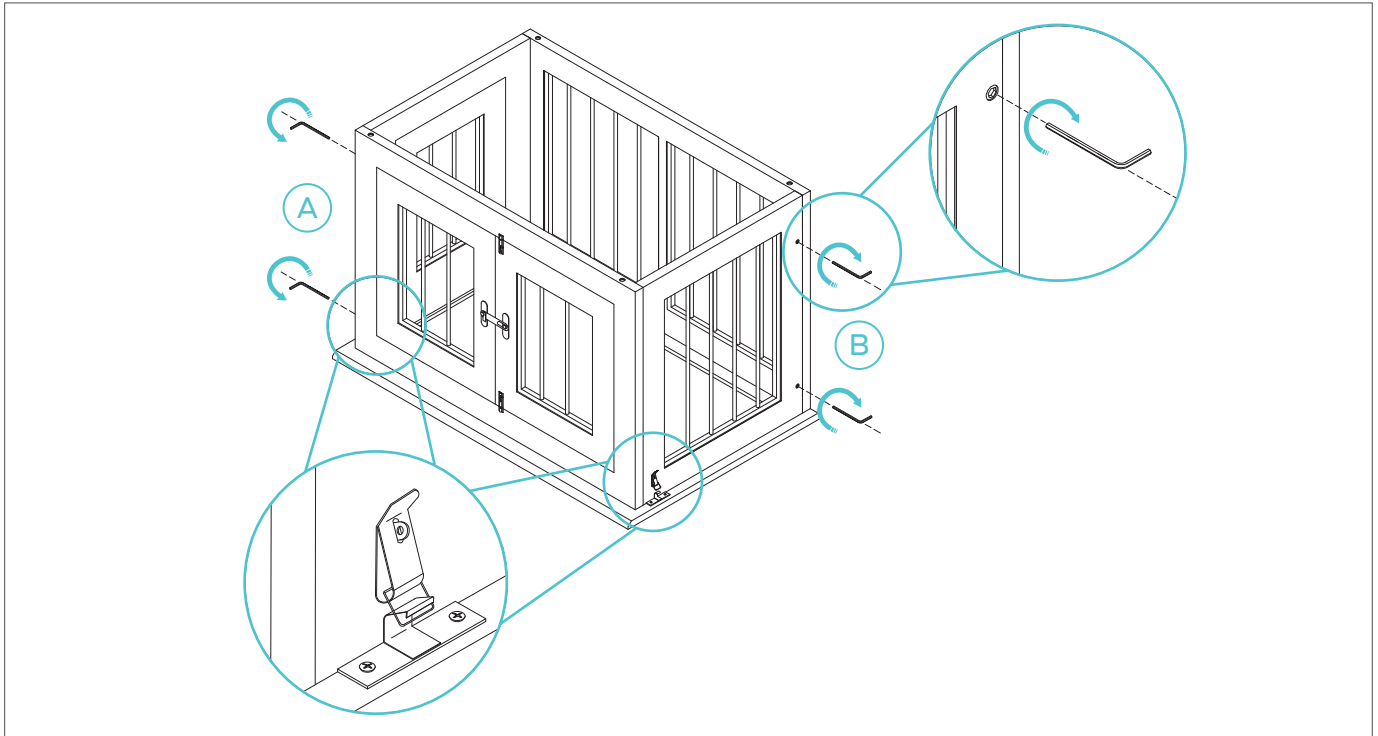


Assembly Instructions

Please Read Through All Instructions Before Starting

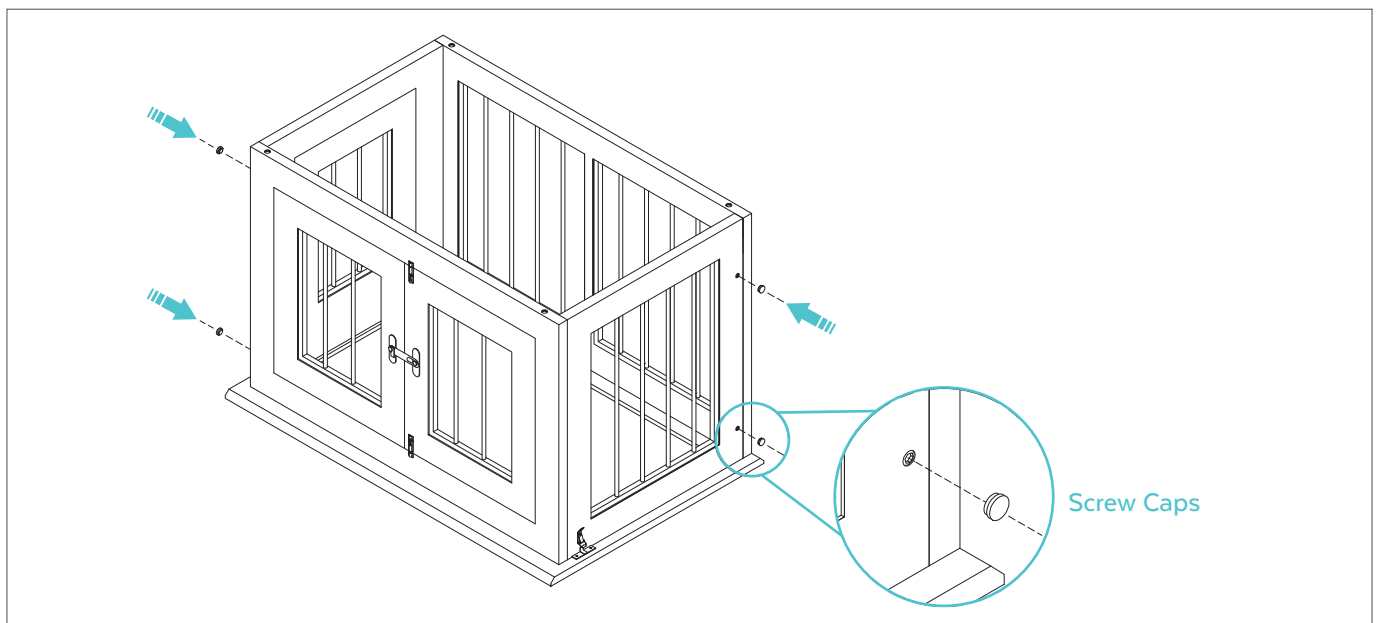
Step 5

Use the Allen Key to tighten the four preinstalled screws on Parts (A) & (B). Then, flip and lock the latches on both sides to secure.



Step 6

Insert the Screw Caps (4pcs) into the same holes, as shown below.

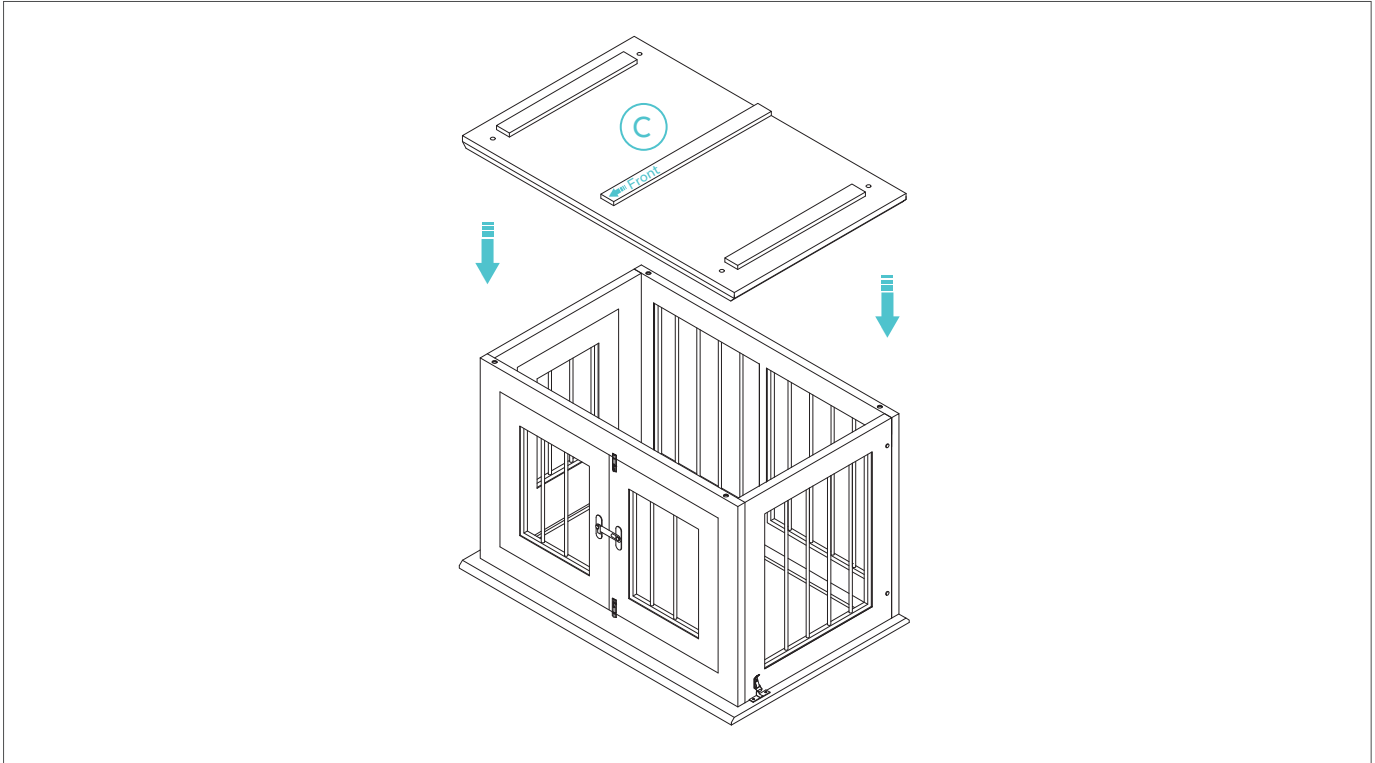


Assembly Instructions

Please Read Through All Instructions Before Starting

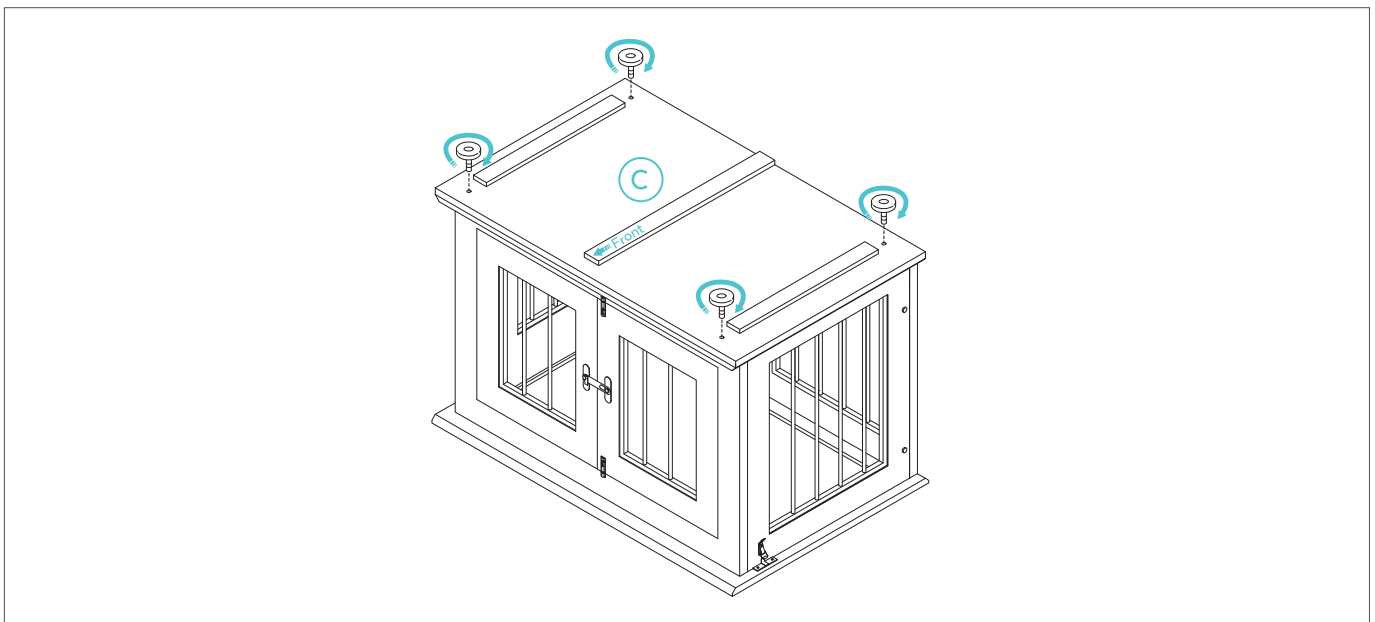
Step 7

Align the four holes on Part (C) with the four holes on the panels.



Step 8

Secure Part (C) with the Adjustable Feet (4pcs), by twisting into holes.

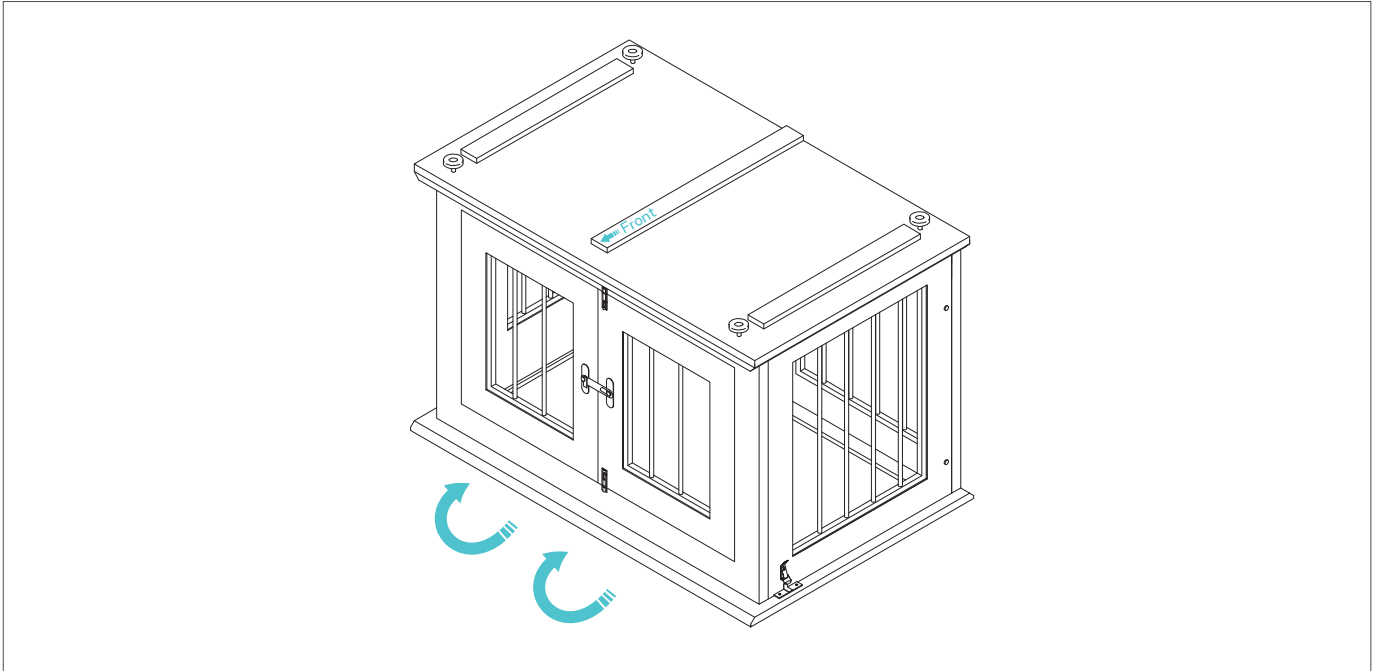


Assembly Instructions

Please Read Through All Instructions Before Starting

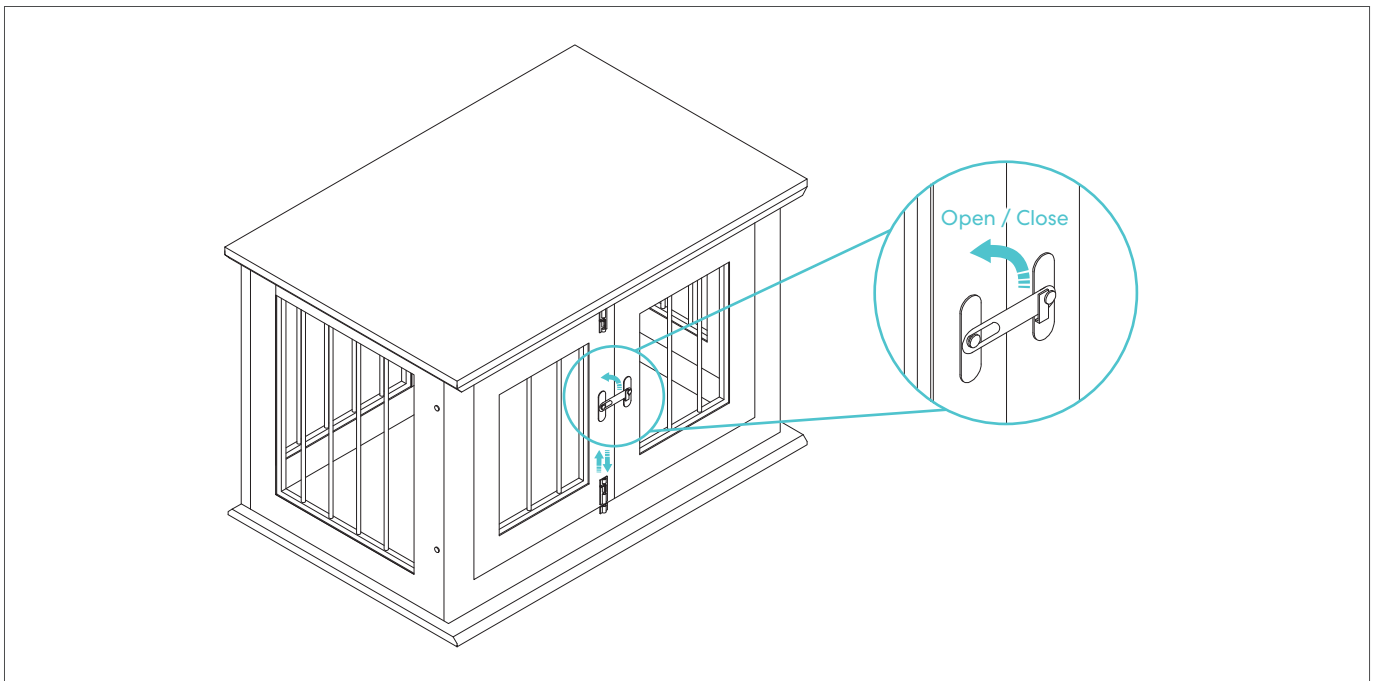
Step 9

With the help of another person, flip the crate right side up.



Opening and Closing Doors

To open and close the doors, unlock the two locks located at top and bottom. Then, lift and turn the middle lock. Your crate is ready to use!



Warnings & Cautions

We care about the safety of your pet, so please READ AND FOLLOW ALL INSTRUCTIONS before using a new crate. Improper use may result in serious injury or even the death of your pet.

- To prevent choking and other serious injuries, always remove any collars, tags or leashes from your pet before placing him in his crate.
- Never transport your pet in his crate. Please use a carrier specifically designed for the purposes of pet transport.
- This crate is not designed to restrain aggressive breeds of dogs who may thrash and launch themselves inside the crate. Consult your veterinarian for recommendations on restraining aggressive pets.
- Before your pet enters his crate, make sure that it's secure. Double check that the crate is properly assembled and that all latches and hooks are secure before leaving your pet inside his crate.
- It's never a good idea to leave your pet inside his crate for too long. Remember, pets need time to socialize, exercise and go potty! Consult your veterinarian or trainer to determine the appropriate amount of time that your pet can safely and comfortably be left in their crate.
- Always be sure your pet has enough food and water before leaving them in their crate.
- Consult your veterinarian about whether it's safe to leave food, toys or other items in the crate with your particular pet. They all have unique personalities and habits, so what works for one might not work for another.
- Never place multiple pets into one crate.
- Please, never allow your children to play in, on, or around the crate. For pet use only.
- We know how excited pets can get, but do check to make sure their paws, snout, ears or tail aren't in the way of the door hinge or latch. Ouch!
- Never place your pet's crate in direct sunlight or leave your pet in a closed car on a hot day. Serious heat stroke, death or other injury could result from an overheated pet.
- Do not store your crate outside or in a car. Extreme heat may cause damage to the crate, or worse, your pet.
- Wipe your crate clean with a damp soft cloth and mild soap. Dry thoroughly before use.
- While we are dedicated to providing the best for your pet, Chewy, Inc. is not responsible for any loss, damage, discomfort, injury, illness, death or costs of any kind as a result of or by use of this crate.

Questions

Questions? Call our friendly customer service anytime.
We're here 24/7 at 1.800.672.4399