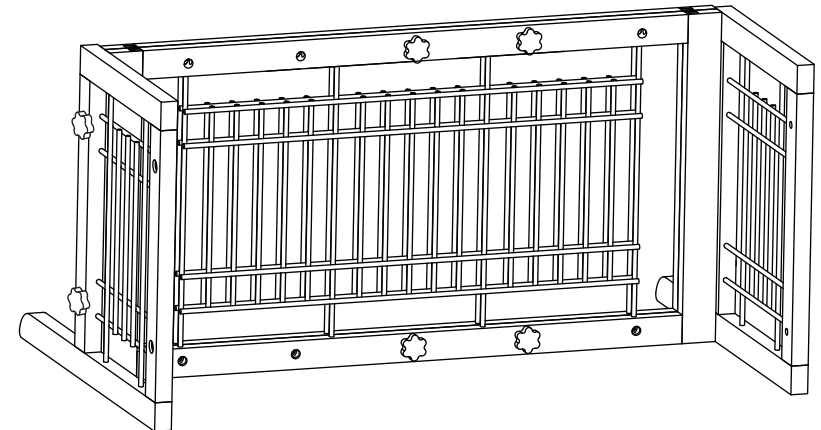


User Manual



Model Number: CW12G0238
CW12H0239

PRODUCT ASSEMBLY

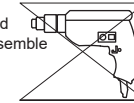
You need

① Tools required



A Phillips head screwdriver is required for the assembly of this product. (not included)

Power tools should not be used to assemble this product.



② 1 person is needed



Dear Customer,

Thank you for your purchase.

COZIOWOW is committed to providing affordable high-quality pet products worldwide.

We take your pet's needs and well-being as the greatest mission.

We are proud to make a difference in thousands of pets' life.

When you receive the product, please make sure that all the parts are intact.

Then please browse the entire installation manual before assembly.

If problems occur unsatisfactorily as follows:

a. The outer box is damaged.

b. The product is damaged / bent / cracked while you open the box.

c. The parts / accessories / assembly tools are missing.

d. The product is hard to assemble.

e. The instructions are not clear and can not be referred to.

f. The product has functional problems.

g. Other aspects that you are not satisfied with.

Please do not hesitate to contact us for help (Be sure to mark the **SKU NUMBER**, e.g., CW12S0462, and the **TRACKING NUMBER**).



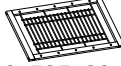
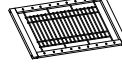
Our COZIOWOW team with factory direct after-sales service will reply within 24 hours and will do our best to resolve the problem for you. Our services are available at any time.

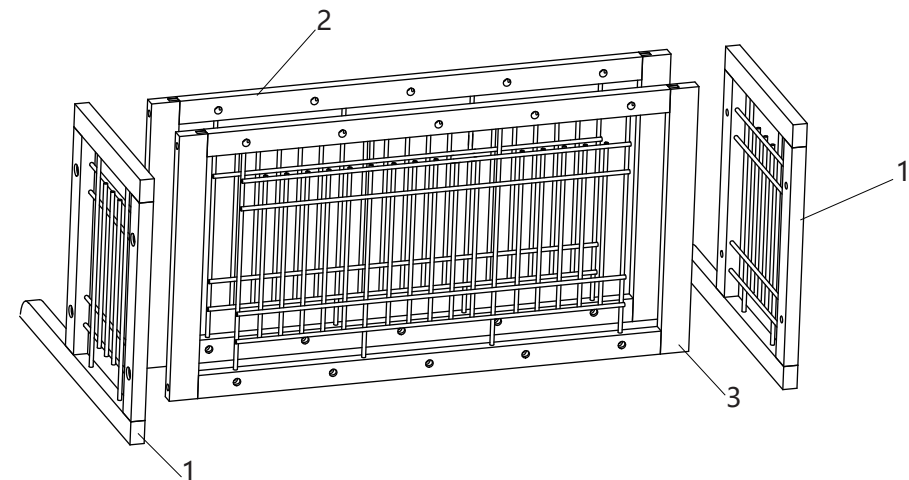
For more information, please browse <https://www.coziwow.com>

Sincerely,
COZIOWOW Team

COZIOWOW,
for Pets and Fun!

Hardware List



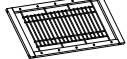
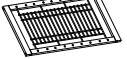
| | | | |
|---|---|---|---|
|  |  |  |  |
| M5x30mm | 450x535x20mm | 920x535x20mm | 920x535x20mm |
| A 8PCS | 1 2PCS | 2 1PC | 3 1PC |

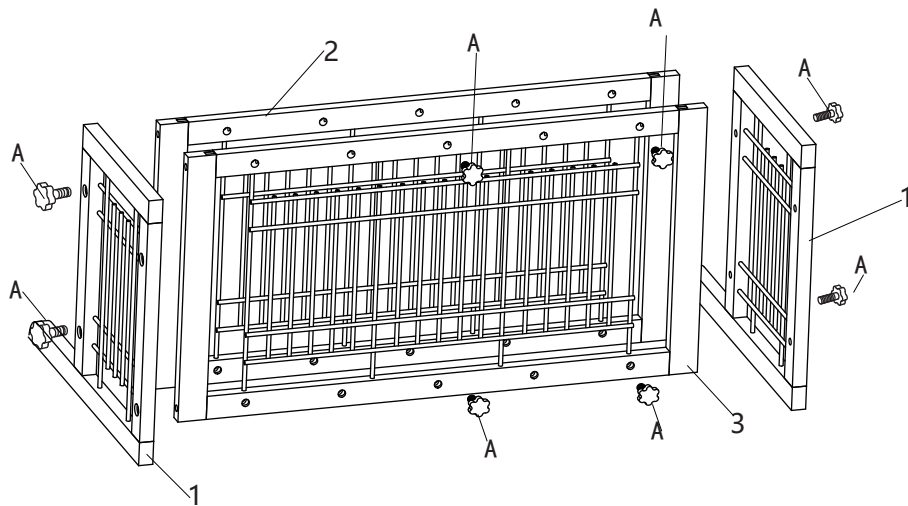


PRODUCT ASSEMBLY

⚠ Check the package contents before getting started !

STEP 1

| | | | |
|---|---|---|---|
|  |  |  |  |
| M5x30mm | 450x535x20mm | 920x535x20mm | 920x535x20mm |
| A 8PCS | 1 2PCS | 2 1PC | 3 1PC |



PRODUCT ASSEMBLY

STEP 2

