

### Escapade

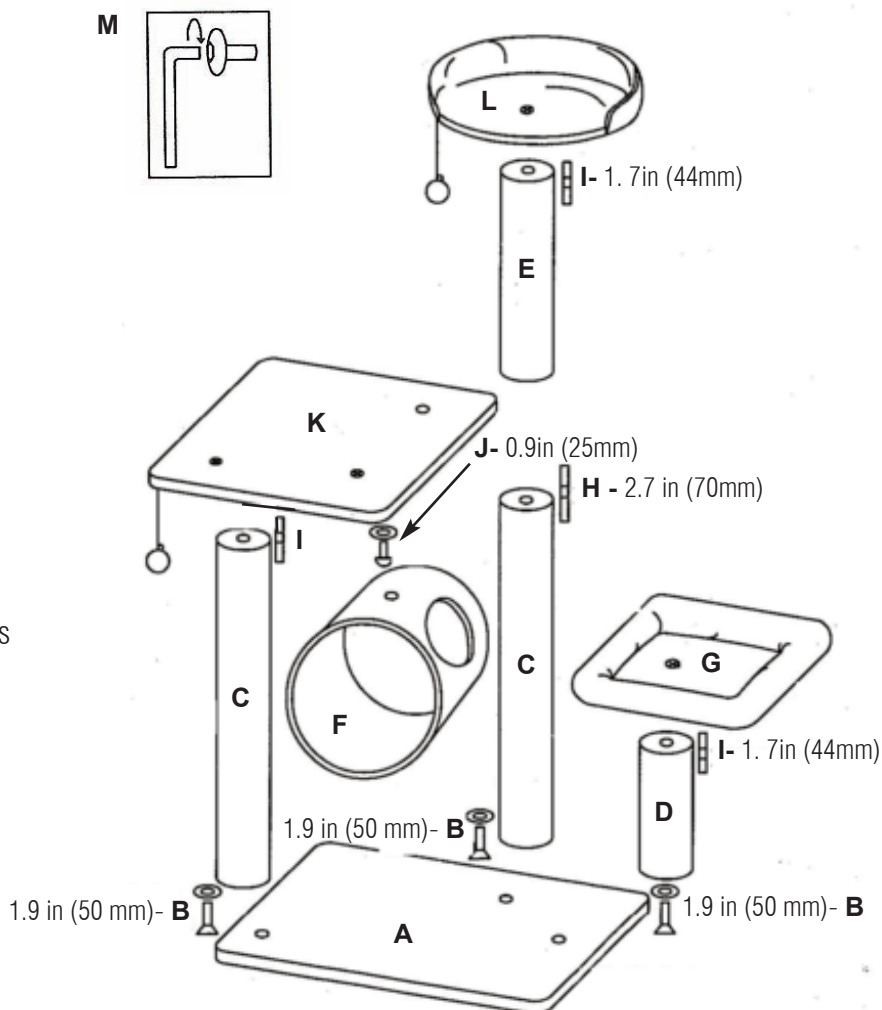
Assembly Instructions for Model Number 138E-BK

#### IMPORTANT INFORMATION

Unwrap and remove all parts from the box. Keep the box and packing material until the product is assembled. In case of return or exchange, failure to return product in similar condition as received could result in limited reimbursement. Please save sales receipt as proof of purchase for warranty purposes. Check to ensure you have all the parts below. If you discover any parts are missing, immediately call our toll-free service helpline at 1-800-428-8560 (Monday - Friday 9 a.m. to 4 p.m. EST) or at info@midwesthomes4pets.com.

#### PARTS IDENTIFICATION

- A- Base
- B- (3) Hardware Screws with Washers
- C- (2) Long Sisal-Wrapped Tube
- D- Short Sisal-Wrapped Tube
- E- Medium Long Sisal Wrapped Tube
- F- Circular Cubby Tube
- G- Square Bolstered Perch
- H- Long Dual Thread Screw with Even Threads
- I- (3) Short Dual Thread Screw with Even Threads
- J- Short Hardware Screw with Washer
- K- Small Middle Platform, with ball
- L- Top Bolstered Perch, with ball
- M- Allen Wrench

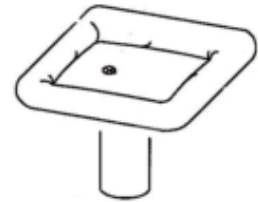


# ASSEMBLY INSTRUCTIONS

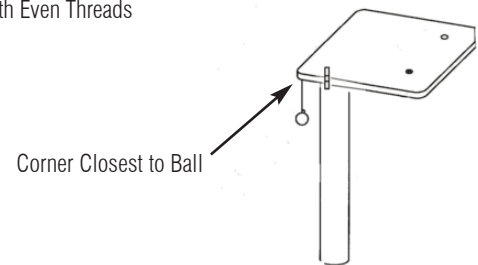
**\*\*\*NOTE:** Must do two pre-assemblies before doing large structure assembly.

## Pre-Assembly

1. Attach the Short Sisal-Wrapped Tube (C) to the Square Bolstered Perch (G) using one of the Short Dual Thread Screw with Even Threads (I). Screw the Dual Thread Screw into the Short Tube until bottom threads disappear and only top are visible. Then take Square Bolstered Perch and tighten on tube. **NOTE:** Turn Square Perch clockwise by hand to tighten and secure.
2. Attach the Small Middle Platform (K) to one of the Long Sisal-Wrapped Tubes (C) using one of the Short Dual Thread Screw with Even Threads (I). Screw the Dual Thread Screw into the Tube first, tighten screw until bottom threads disappear, and then attach the platform. **NOTE:** Tube must be attached to corner closest to ball. Turn platform by hand to tighten and secure.

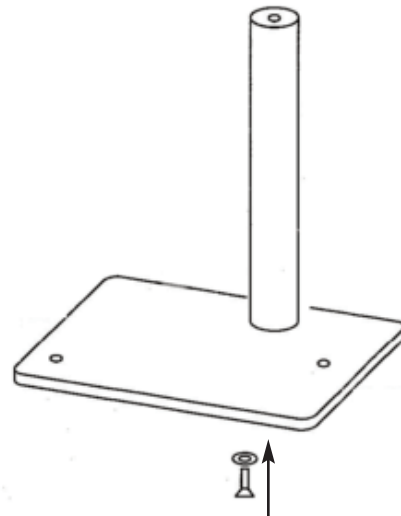


 Short Dual Thread Screw with Even Threads



## Large Structure Assembly:

3. Attach the other Long Tube (C) (not one with Platform attached) to the Base (A), using one of the Long Hardware Screws with Washers (B). Insert the Screw and Washer from bottom of Base; tighten with Allen Wrench (M).



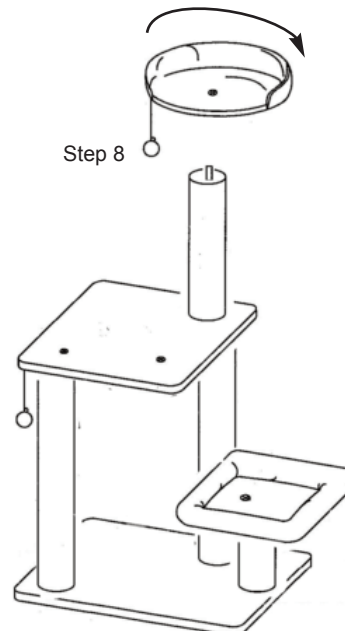
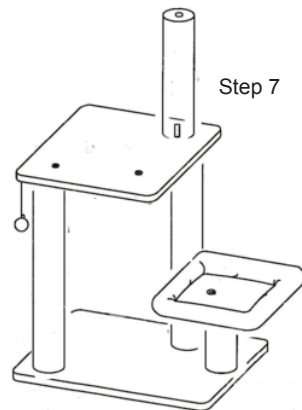
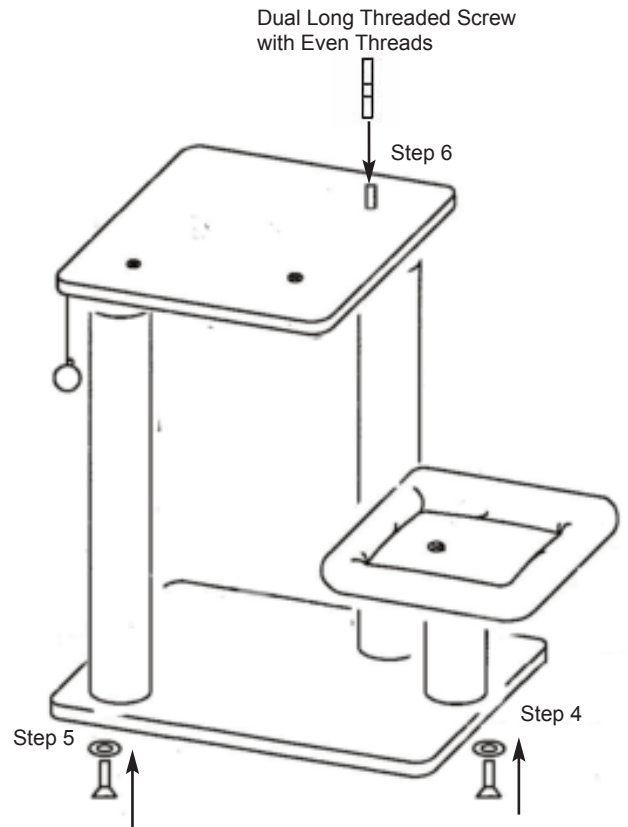
4. Attach the pre-assembled Square Perch and Short Tube to the Base using one of the Long Hardware Screws with Washers (B) to the base. Insert the Screw and Washer from the bottom of the Platform. Tighten with Allen Wrench (M).

5. Attach the pre-assembled Long Tube and Middle Platform to the Base, using the remaining Long Hardware Screw with Washer (B). Insert the Screw and Washer from bottom of platform. Tighten with Allen Wrench (M).

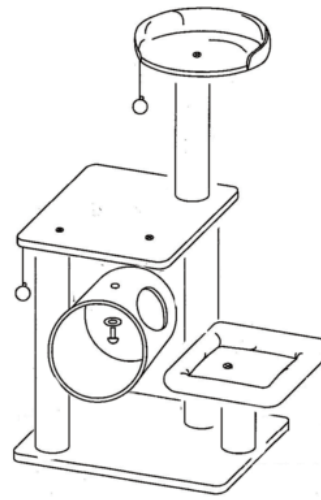
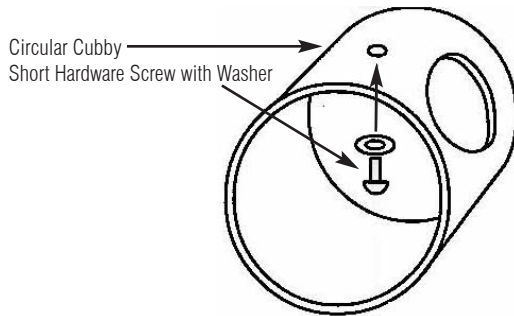
6. Insert a Dual Long Thread Screw with Even Threads (H) on top of Middle Platform. The Dual Thread Screw will attach the Middle Platform and Long Tube together. Tighten screw until bottom threads disappear and only top are visible above Middle Platform.

7. Attach the Medium Long Sisal-Wrapped Tube (E) to the top of the Small Middle Platform. Tube will fit on top of open screw (from Step 6), use hands to tighten.

8. Screw a Short Dual Thread Screw with Even Threads (I) into the top of the Medium Long Sisal-Wrapped Tube (from step 7). Tighten until bottom threads disappear and only top threads are visible. Attach the Top Bolstered Perch (L) to the Medium Long Tube. Perch fits on top of Short Dual Thread Screw and tightens by turning in circular motion.



9. Attach the Circular Cubby Tube (F) with the Short Hardware Screw with Washer (J). Screw the Hardware Screw into the Middle Platform from the inside of the Cubby. Hole of Cubby can be facing any desired direction.



**TOLL-FREE SERVICE HELPLINE:** If you have any problems or questions with the assembly of your new Feline Nuvo Cat Furniture: Escapade, call our Service Helpline at: 1-800-428-8560 between 9:00 a.m. and 4:00 p.m. (EST) Monday through Friday.

#### LIMITED MANUFACTURERS WARRANTY

1. For one (1) year from the date of original purchase, MIDWEST Homes For Pets ("MIDWEST") warrants to the purchaser of this pet furniture that, should it prove defective by reason of improper workmanship and/or material, MIDWEST will repair or replace, at its option, any defective part of the pet furniture, without charge for the part or for shipping. Replacement parts are warranted for the remainder of the original period.
2. **THIS WARRANTY DOES NOT COVER** defects in the furniture caused by any animal, any physical abuse to or misuse of the pet furniture, any damage caused by the original purchaser or any third party, or any defects arising or discovered more than one (1) year from the original retail purchase date.
3. **STEPS TO OBTAIN WARRANTY SERVICE:**
  - A. The purchaser must call MIDWEST's HELPLINE, 800-428-8560, to report the alleged defect to a customer service representative or obtain missing parts.
  - B. The customer service representative will determine if the defect is covered by this warranty, and if it is, will authorize and instruct the purchaser in how to obtain corrective action.
  - C. MIDWEST may require the purchaser to present the sales receipt or other proof of purchase prior to authorizing any return or replacement. No returns or replacements will be permitted without proper authorization. If a return or replacement is authorized, you may be requested to return the item to MIDWEST or to make the item available for pick-up by MIDWEST.
4. **ANY EXPRESS WARRANTY NOT PROVIDED IN THIS WARRANTY DOCUMENT, AND ANY REMEDY FOR BREACH OF CONTRACT THAT, BUT FOR THIS PROVISION, MIGHT ARISE BY IMPLICATION OR OPERATION OF LAW, IS HEREBY EXCLUDED AND DISCLAIMED. THE IMPLIED WARRANTIES OF MERCHANTABILITY AND OF FITNESS FOR ANY PARTICULAR PURPOSE ARE EXPRESSLY LIMITED TO A TERM OF ONE (1) YEAR. SOME STATES DO NOT ALLOW LIMITATIONS ON HOW LONG AN IMPLIED WARRANTY LASTS, SO THE ABOVE LIMITATIONS MAY NOT APPLY TO YOU.**
5. **UNDER NO CIRCUMSTANCES SHALL MIDWEST BE LIABLE TO PURCHASER OR ANY OTHER PERSON OR ANY SPECIAL, INCIDENTAL OR CONSEQUENTIAL DAMAGES, WHETHER ARISING OUT OF BREACH OF WARRANTY, BREACH OF CONTRACT OR OTHERWISE, SOME STATES DO NOT ALLOW THE EXCLUSION OR LIMITATIONS OF INCIDENTAL OR CONSEQUENTIAL DAMAGES, SO THE ABOVE LIMITATIONS OR EXCLUSION MAY NOT APPLY TO YOU.**
6. This warranty gives you specific legal rights, and you may also have other rights which vary from state to state.



800-428-8560  
midwesthomes4pets.com  
P.O. Box 1031  
Muncie, Indiana 47308



Feline Nuvo 138E-BK-INST (121)