

# northstates™

*Quality Products  
for the way you live*

## INSTRUCTIONS FOR MODELS 4916/4917



**IMPORTANT: PLEASE KEEP FOR FUTURE REFERENCE!**

For helpful tips and instructions, please visit our website: [www.northstatesind.com](http://www.northstatesind.com) or contact our Customer Care department via email: [info@northstatesind.com](mailto:info@northstatesind.com)

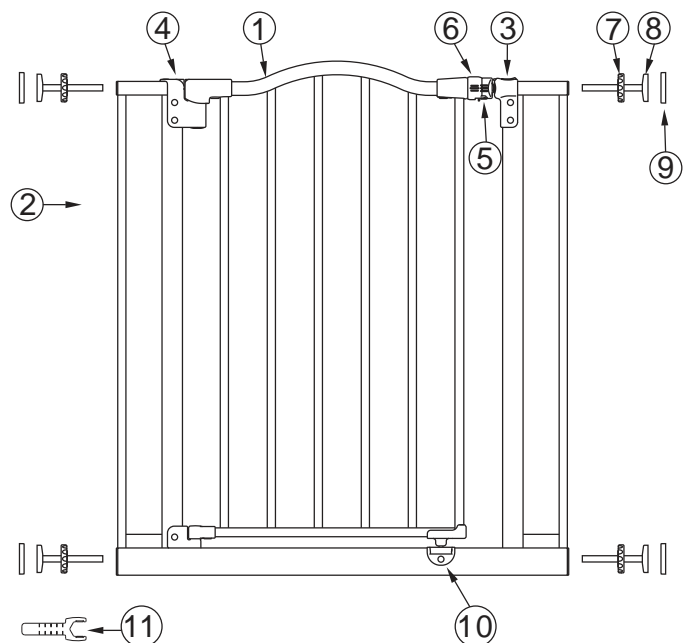
Phone: (763) 486-1756 or Toll Free: (800) 848-8421

**Intended for use with children 6-24 months**

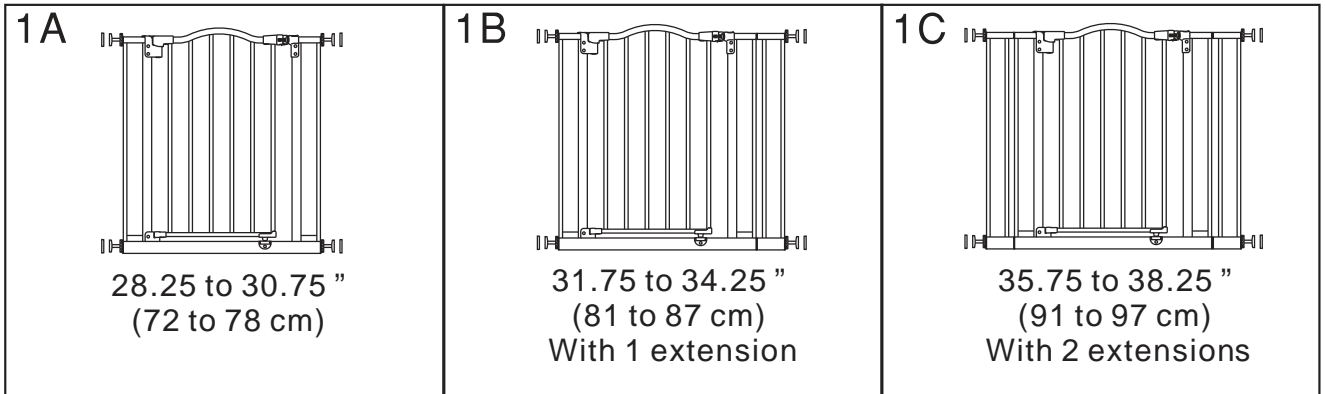
- This product is intended for use with children from 6 to 24 months of age.
- To prevent falls, never use at the top of stairs.
- This safety gate should not be fitted across window openings and the like.
- The general condition of the safety gate should be checked periodically to ensure that the gate remains securely installed, and that the locking system functions properly.
- Do not use the safety gate if any components are damaged or missing.
- Never use without properly installed mounting cups.
- Hardware and mounting cups are included for use only on solid materials such as wood or metal.
- To prevent serious injury or death, securely install and use gate according to manufacturer's instructions.
- Individuals (adults and older children) should not climb or step over the gate, due to the danger of tripping and/or falling.
- Any additional or replacement parts should only be obtained from the manufacturer or distributor.
- Never use with a child able to climb over or dislodge the gate.
- Never leave child unattended.
- Use gate only with locking/latching mechanism securely engaged.
- This gate will not necessarily prevent all accidents.
- Clean the safety gate with warm water and a mild detergent. Never use solvents, chemicals, or abrasives.

## Parts List

NO.	Part Name	Qty.
1	Gate panel	1
2	Gate frame	1
3	Right upper corner	1
4	Left upper corner	1
5	Release button	1
6	Locking handle	1
7	Tension knob	4
8	Bolts w/rubber pad	4
9	Mounting cup	4
10	Lower lock rod	1
11	Wrench	1



1. Measure the width of the opening in which you want to install the gate. Please refer to Figures 1A-1C to determine the correct installation configuration.

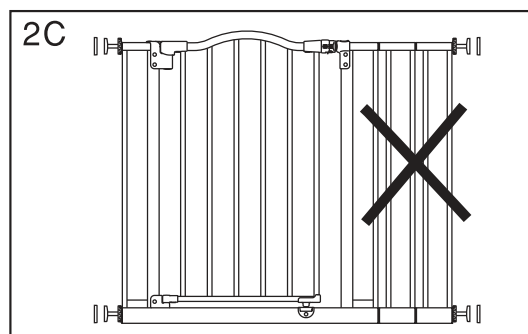
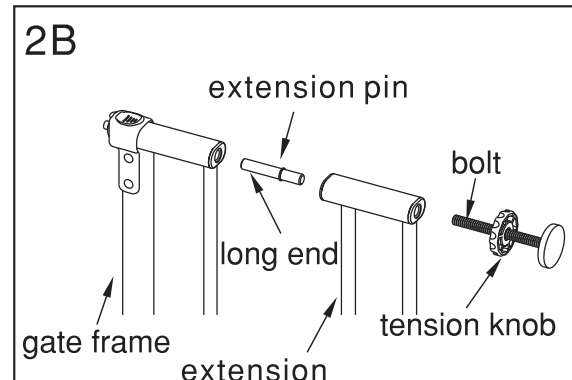
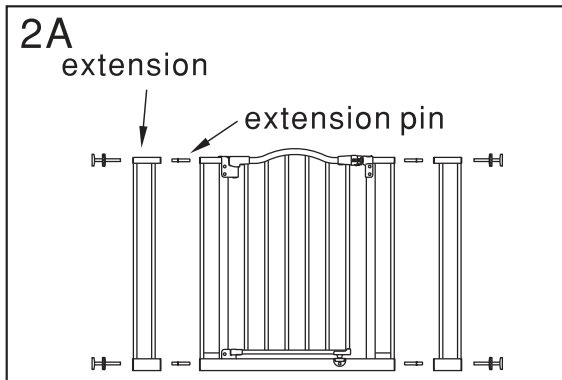


2. Please follow these steps if you are using one or two extensions:

Refer to Figures 2A and 2B for guidance.

First insert the long ends of the extension pins into the holes on the outside of the gate frame. Next insert the short ends of the pins into the protruding ends of the extension. Finally, slide the bolts with rubber pads completely into the holes located on the outside of the extension.

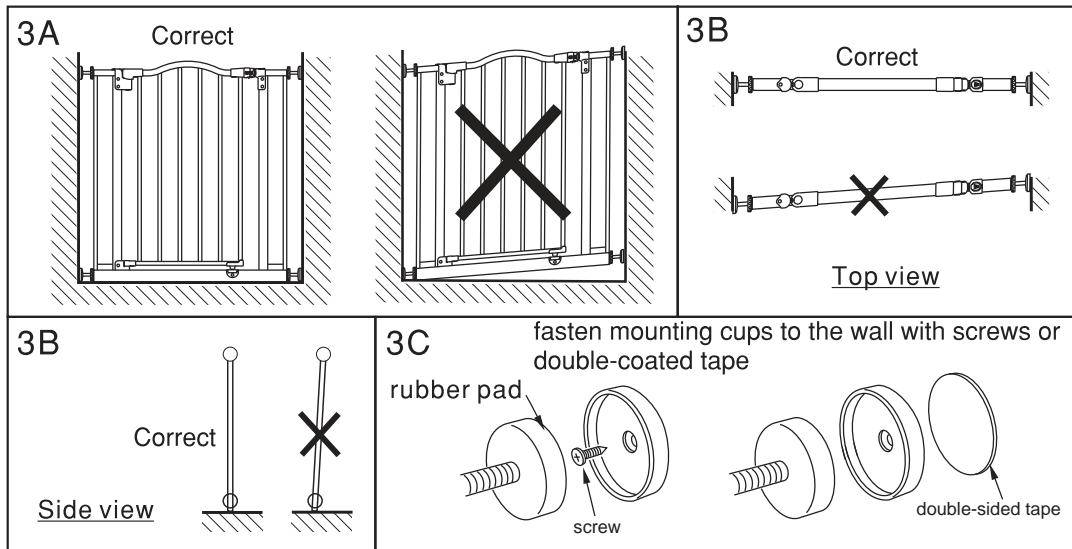
**IMPORTANT-Do not install two extensions on the same side of the gate, as shown in figure 2C.**



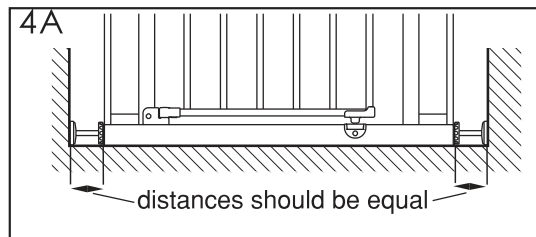
**IMPORTANT-Never install this gate without the mounting cups!**

3. Place the gate in the doorway so that the gate frame is completely flat on the floor. (see Figure 3A). Fasten the mounting cups (using screws or double-coated tape in hardware pack) in locations where they will accept the bolts with rubber pads (Figure 3C). Figures 3A and 3B illustrate proper, safe gate installations.

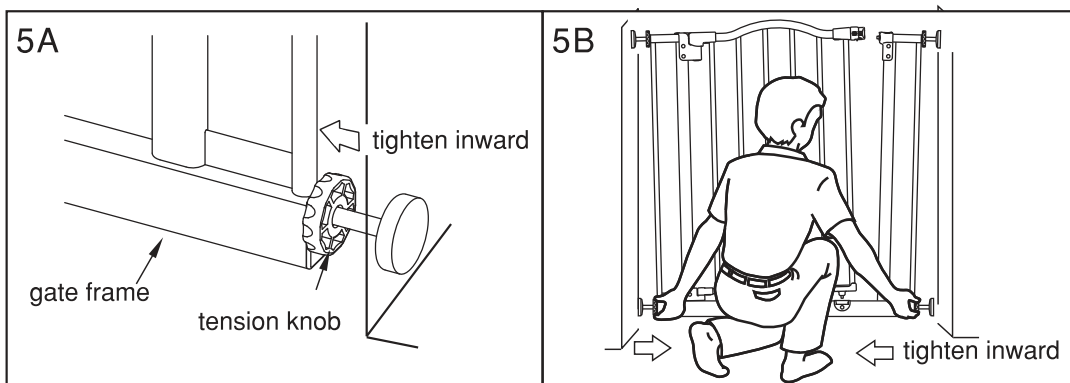
**Do not use this gate if it cannot be installed flat, straight, and perpendicular to the floor, as shown in Figures 3A-3B.**



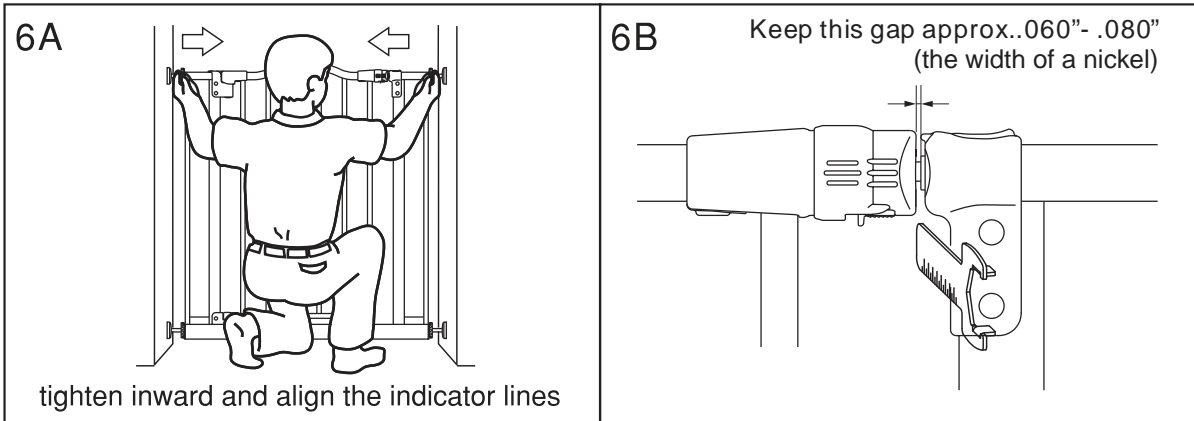
4. Extend the bolts with rubber pads until they fit into the mounting cups. The distances between the tension knobs and the rubber pads should be equal, as shown in Figure 4A. If necessary, adjust the gate's position in the doorway until these distances are equal.



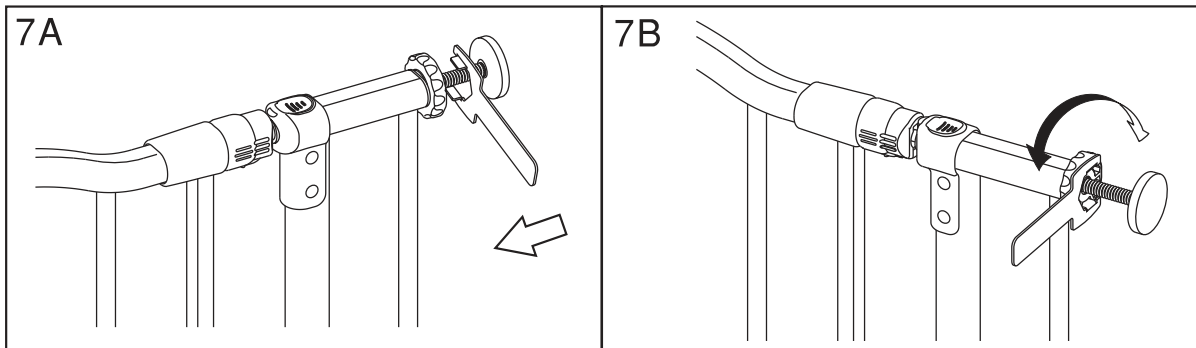
5. Tighten both of the bottom tension knobs (see Figure 5A) by turning them clockwise at the same time, as shown in Figure 5B. Make certain that the gate remains completely flat on the floor as you tighten the knobs.



6. Tighten both of the top tension knobs by turning them clockwise at the same time, as shown in Figure 6A. Make certain to maintain a gap of .060" - .080" between the gate panel and the upper right corner of the gate frame (Figure 6B). The handle of the wrench provided can serve as a convenient gap gage, as shown. Setting this gap properly will ensure proper gate closure.



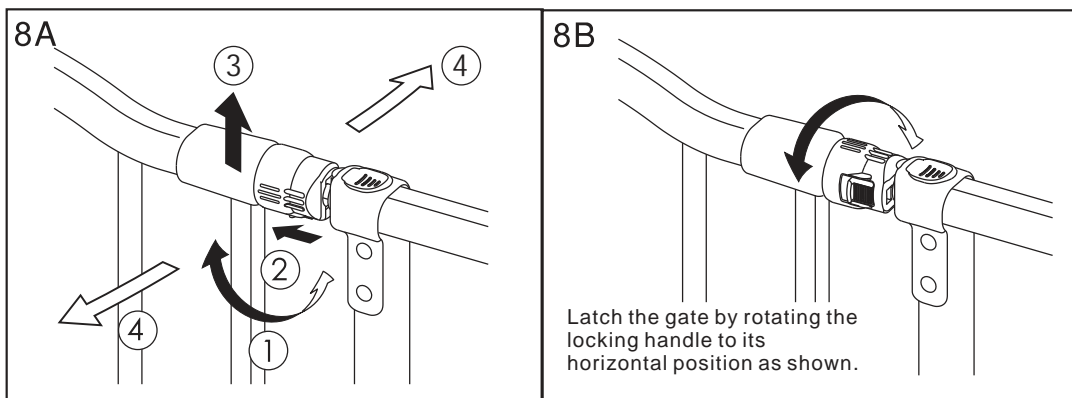
7. The wrench is provided to ease turning the tension knobs. “Teeth” on the face of the wrench engage recesses on the face of the tension knobs, as shown in Figures 7A-7B.



8. Opening the gate locking system (See Figure 8A):
- 1) Rotate the locking handle to the vertical position.
  - 2) Depress the release button as shown.
  - 3) Lift the door until it swings freely.
  - 4) Swing the door open in desired direction.

Closing and latching the gate:

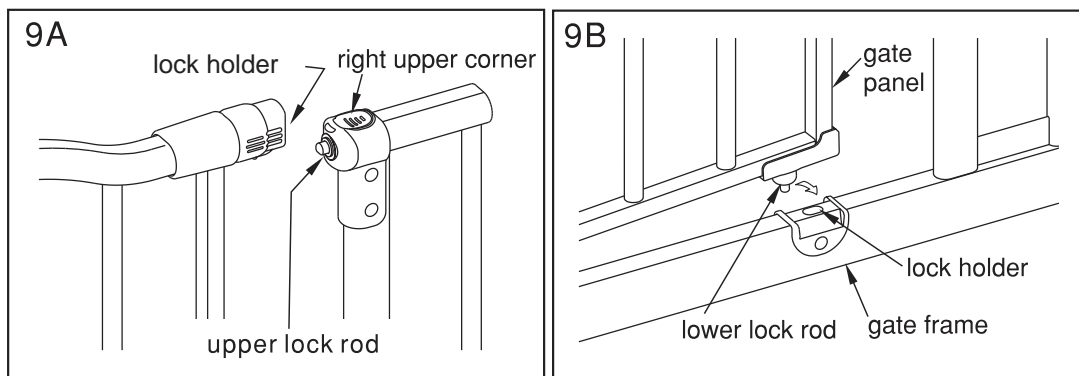
- 1) Simply release the gate and allow it to swing closed (unless the Stay-open feature is used. See Step 10.)
- 2) To latch, rotate the locking handle to the horizontal position, as shown in Figure 8B. This effectively “triple latches” the gate.



9. Verify proper gate installation by partially opening and releasing it. The door will swing closed and double-latch automatically. Try this several times in each direction, each time making sure that:

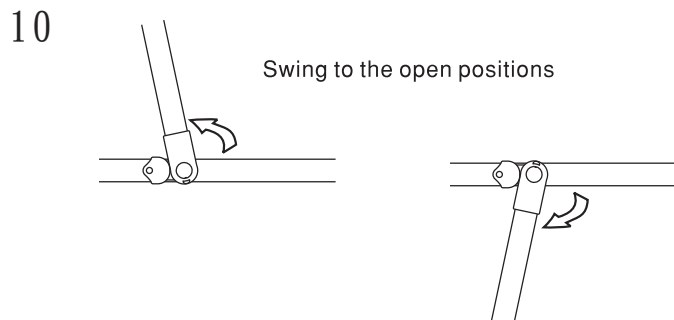
- The upper lock rod is completely secured in the lock holder at the upper corner of the gate (See Figure 9A).
- The lower lock rod is completely secured in the lock holder on the lower gate frame (See Figure 9B).

Finally, make certain that the mounting cups and bolts with rubber pads remain firmly secured to the wall.



10. **Important: The Stay-open feature should be used only by adults because the auto-close feature will be disabled, allowing children to freely pass through the gate.**

To make use of the Stay-open feature, simply swing the door slightly past 90 degrees open in either direction, as shown in Figure 10 below. The door will remain open until it is swung closed.



### Troubleshooting

If the gate does not remain closed, the locking handle is too close to the locking housing. This can be corrected by loosening the upper tension knobs by turning them outward, creating the proper gap, as described in Step 6/Figure 6B of these instructions.

If the gate does not remain in its opening, it was not installed properly. Remove and reinstall the gate, being careful to ensure that the gate is flat, straight, and perpendicular to the floor, as shown in Figures 3A-3B.

Distributed exclusively in the United States by  
 North States Industries, Inc.  
 1507 92nd Lane N.E., Blaine, MN 55449-4334  
[www.northstatesind.com](http://www.northstatesind.com)  
 Manufactured in Guang Dong, China